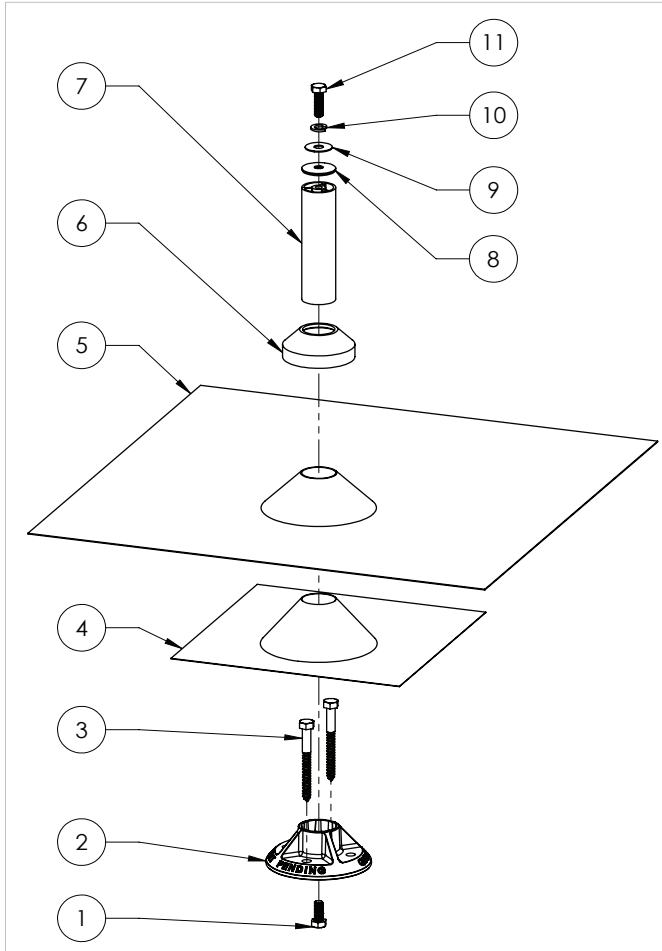


QBase® Standard Flat Tile Mount | QMSFT



ITEM NO.	DESCRIPTION	QTY.
1	CAP SCREW, HEX HEAD, 5/16"-18 X 3/4" UNC-2A, GRADE 8	1
2	QBASE, 1-1/4" ID, FOR 5/16" HARDWARE, A360.1 CAST AL	1
3	LAG SCREW, HEX HEAD, 5/16" X 3", ZINC	2
4	SUB-FLASHING, CONE, 9"X9"X.020"/.032", 3003 AL, MILL	1
5	FLASHING, CONE, 18"X18"X.032", 3003 AL, MILL	1
6	COLLAR, COUNTER FLASHING, 1-1/4" ID EPDM	1
7	POST, 1.25" OD X 4.5", 6063-T5/6063-T6, MILL	1
8	WASHER, SEALING, 5/16" ID X 1-1/4" OD, EPDM BONDED SS	1
9	WASHER, FENDER, 5/16" ID X 1" OD, 18-8 SS	1
10	WASHER, SPLIT-LOCK, 5/16" ID, 18-8 SS	1
11	CAP SCREW, HEX HEAD, 5/16"-18 X 1" UNC-2A, 18-8 SS	1

- NOTES:
1. AVAILABLE IN MILL FINISH, AND BRONZE ANODIZED FINISH.
 2. STAINLESS STEEL LAG SCREWS INCLUDED WITH ANODIZED FINISH.
 3. FLASHINGS MAY BE SPUN, OR PRESSED
 4. ITEM 4 MATERIAL THICKNESS: .020" SPUN, .032" PRESSED

Quick Mount PV®

TITLE:
QMSFT: QBASE STANDARD FLAT TILE MOUNT

UNLESS OTHERWISE SPECIFIED: DIMENSIONS ARE IN INCHES TOLERANCES: FRACTIONAL ± 1/8 TWO PLACE DECIMAL ±.19 THREE PLACE DECIMAL ±.094	SIZE A	DRAWN BY: RAD DATE: 8/17/2016	REV 6
SCALE: 1:5	WEIGHT: 2.16	SHEET 1 OF 2	

PROPRIETARY AND CONFIDENTIAL
THE INFORMATION CONTAINED IN THIS DRAWING IS THE SOLE PROPERTY OF QUICK MOUNT PV. ANY REPRODUCTION IN PART OR AS A WHOLE WITHOUT THE WRITTEN PERMISSION OF QUICK MOUNT PV IS PROHIBITED. COPYRIGHT © 2016 QUICK MOUNT PV

DO NOT SCALE DRAWING

Lag pull-out (withdrawal) capacities (lbs) in typical lumber:

	Lag Bolt Specifications		
	Specific Gravity	2/ea 5/16" shaft per 2.5" thread depth	5/16" shaft per 1" thread depth
Douglas Fir, Larch	.50	1330	266
Douglas Fir, South	.46	1175	235
Engelmann Spruce, Lodgepole Pine (MSR 1650 f & higher)	.46	1175	235
Hem, Fir	.43	1060	212
Hem, Fir (North)	.46	1175	235
Southern Pine	.55	1535	307
Spruce, Pine, Fir	.42	1025	205
Spruce, Pine, Fir (E of 2 million psi and higher grades of MSR and MEL)	.50	1330	266

Sources: American Wood Council, NDS 2005, Table 11.2 A, 11.3.2 A

- Notes:
- 1) Thread must be embedded in a rafter or other structural roof member.
 - 2) See IBC for required edge distances.

Important: To maintain waterproofing of substrate it is important to make sure the aluminum primary flashing is properly placed over the QBase and under the course of paper above. If the paper above does not reach, due to layout, place an additional piece of roofing paper over the primary flashing and under the next course of paper above. (See instructions on reverse)



QBase Standard Flat Tile Mounting Instructions

Installation Tools Required: tape measure, drill with 7/32" bit, drill or impact gun with 1/2" deep socket, caulking gun and sealant compatible with roofing material, whisk broom, roofing bar, angle grinder with a diamond blade

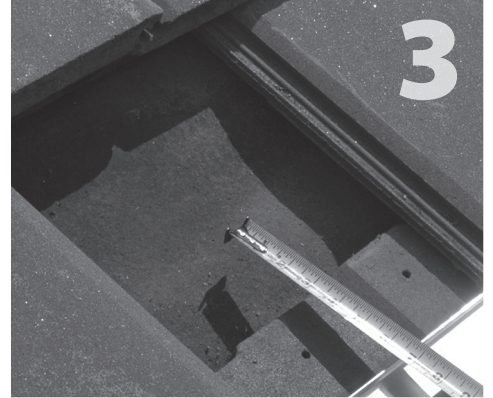
WARNING: Quick Mount PV products are NOT designed for and should NOT be used to anchor fall protection equipment.



Remove tile at selected location of mount.



Locate and mark center of rafter.



Use a straight edge and measure up 6 5/8" from bottom of tiles to center of the mount over the center of rafter.



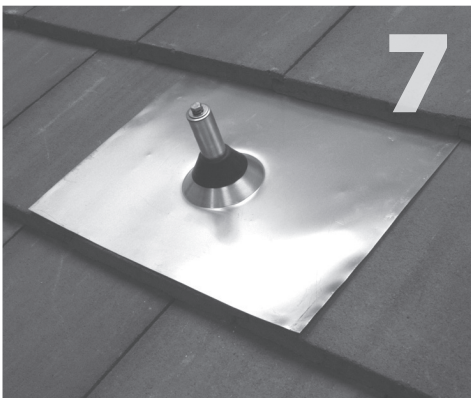
Align QBase over rafter center and drill two 7/32" pilot holes. Place grade-8 machine bolt under QBase in hex slot, threads pointing up. Lag QBase into rafter on marks.



Carefully clean the building paper then install sub-flashing. Waterproof at underlayment level according to roofing manufacturer instructions and Tile Roofing Institute Guidelines.



Cut a hole in the tile removed, with room to get the post through. Replace tile in position. Insert post and tighten into place. Install the 18"x 18" flashing and apply sealant around the opening.



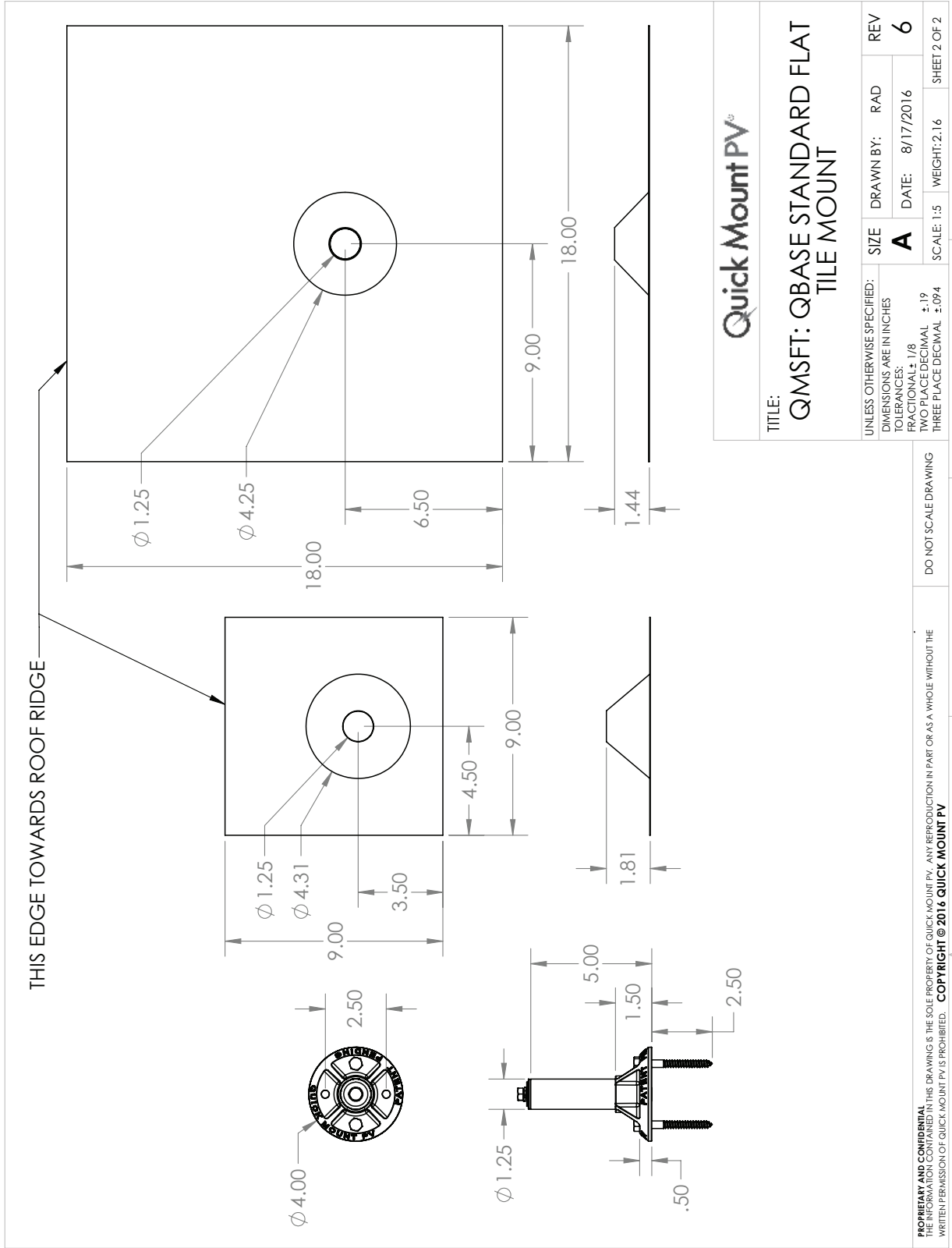
Apply sealant where post and flashing meet, and install counter flashing collar. (Be sure to seal off the post from weather exposure with the sealing washer, in the interim before racks are installed.)

You are now ready for the rack of your choice. Follow all the directions of the rack manufacturer as well as the module manufacturer.

All roofing manufacturers' written instructions must also be followed by anyone modifying a roof system. Please consult the roof manufacturer's specs and instructions prior to touching the roof.

Standard Flat Tile Mount | QMSFT

Additional Dimensions



Quick Mount PV[®]

925-478-8269 | www.quickmountpv.com | info@quickmountpv.com
2700 Mitchell Dr. | Walnut Creek, CA 94598