

This design shows a PWRcell system with a Protected Loads panel to provide backup power to loads.

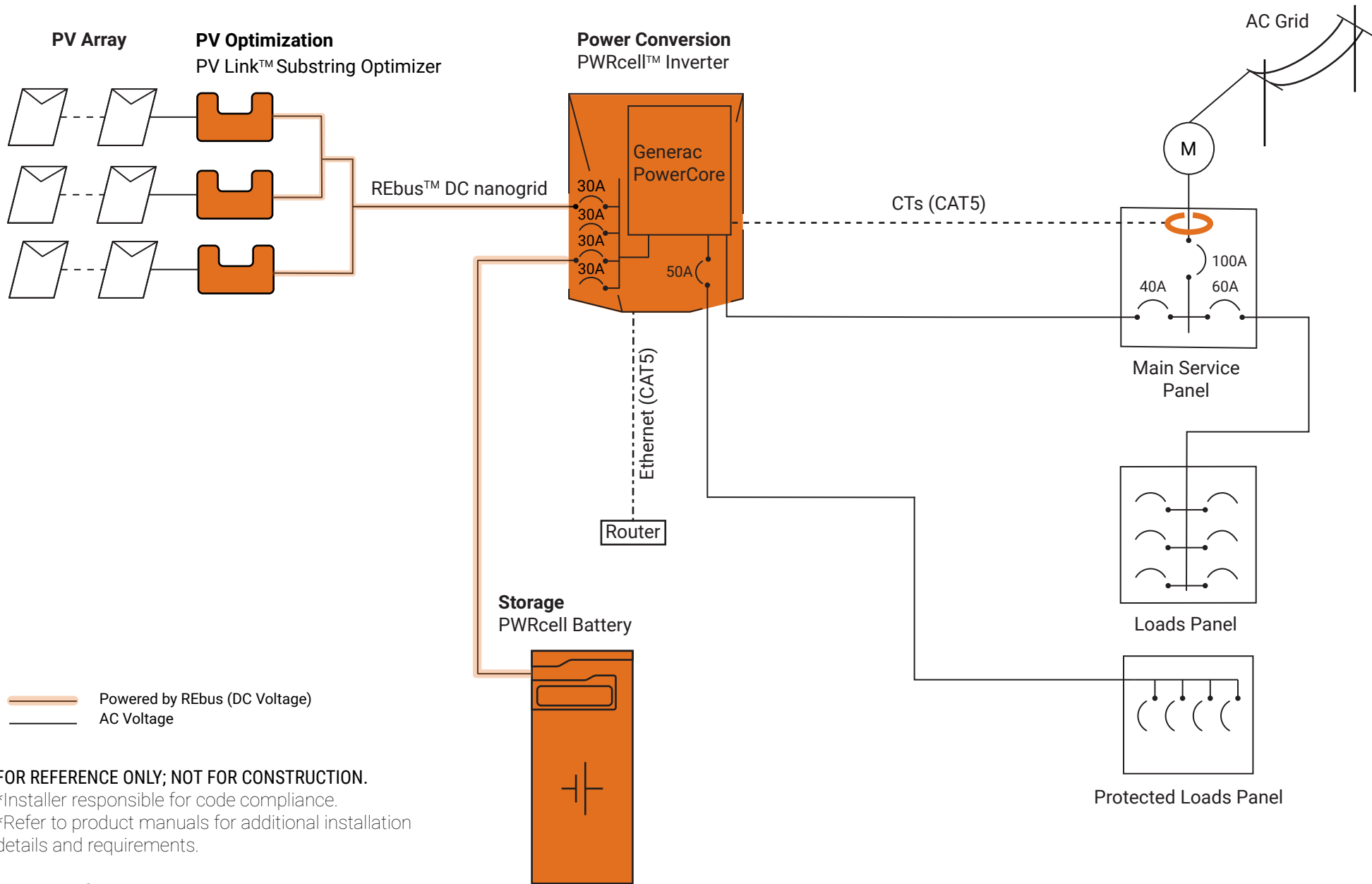
This configuration is acceptable for use with 200A or larger utility services.

Protected Loads / Solar + Storage

- 1 PWRcell Inverter
- 3 PV Links (max 6)
- 1 PWRcell Battery
- 1 CT Kit (included)

GENERAC®

Generac Power Systems, Inc.
 S45 W29290 Hwy. 59
 Waukegan, WI 53190



FOR REFERENCE ONLY; NOT FOR CONSTRUCTION.

*Installer responsible for code compliance.

*Refer to product manuals for additional installation details and requirements.

Reference Code-131E-01

This design shows a PWRcell system with a Protected Loads panel to provide backup power to loads. This design uses the sum rule approach for the load-side connection of an energy storage system.

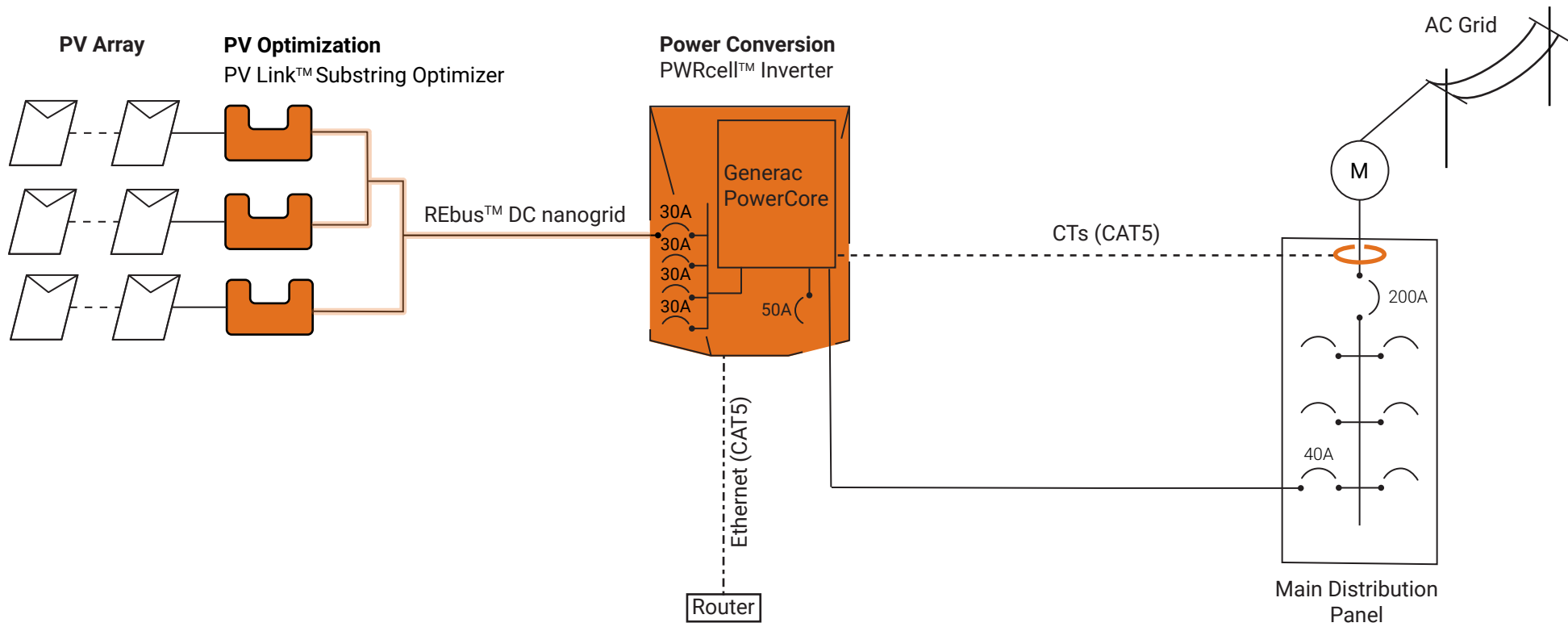
This configuration is for use with 100A utility services.

100A Residential Service / Solar + Storage

- 1 PWRcell Inverter
- 3 PV Links (max. 6)
- 1 PWRcell Battery
- 1 CT Kit (included)

GENERAC®

Generac Power Systems, Inc.
S45 W29290 Hwy. 59
Waukegan, WI 53190



— Powered by REbus (DC Voltage)
— AC Voltage

FOR REFERENCE ONLY; NOT FOR CONSTRUCTION.
 *Installer responsible for code compliance.
 *Refer to product manuals for additional installation details and requirements.

Reference Code-1111-01

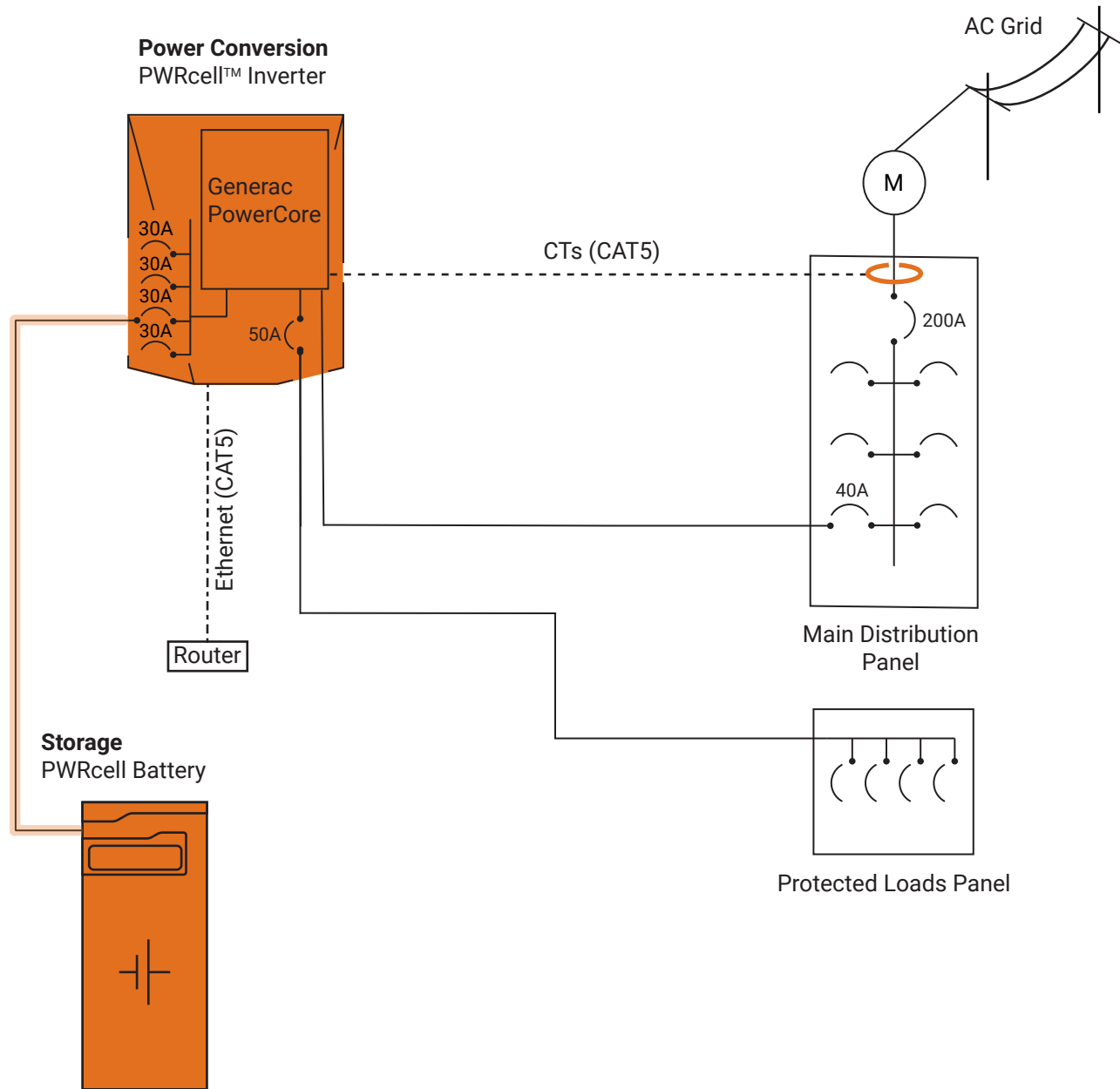
This design shows a battery ready PWRcell system in a traditional net-metering configuration sourced by PV power. There are DC inputs available for additional PV or to add battery storage in the future.



This configuration is acceptable for use with 200A or larger utility services.
 Part No. A0000521682 | Rev. E | 29 JUL 2020

- Grid Connected / Battery Ready**
- 1 PWRcell Inverter
 - 3 PV Links (max. 6)
 - 1 CT Kit (included)



Generac Power Systems, Inc.
 S45 W29290 Hwy. 59
 Waukesha, WI 53180



 Powered by REbus (DC Voltage)
 AC Voltage

FOR REFERENCE ONLY; NOT FOR CONSTRUCTION.

*Installer responsible for code compliance.
 *Refer to product manuals for additional installation details and requirements.

Reference Code-0312-01

This design shows a PWRcell system with a Protected Loads panel to provide backup power to loads. Utilize this design where roof installation for PV is not possible (e.g. condos, rented spaces). There are DC inputs available for additional battery storage or to add PV in the future. This configuration is acceptable for use with 200A or larger utility services.

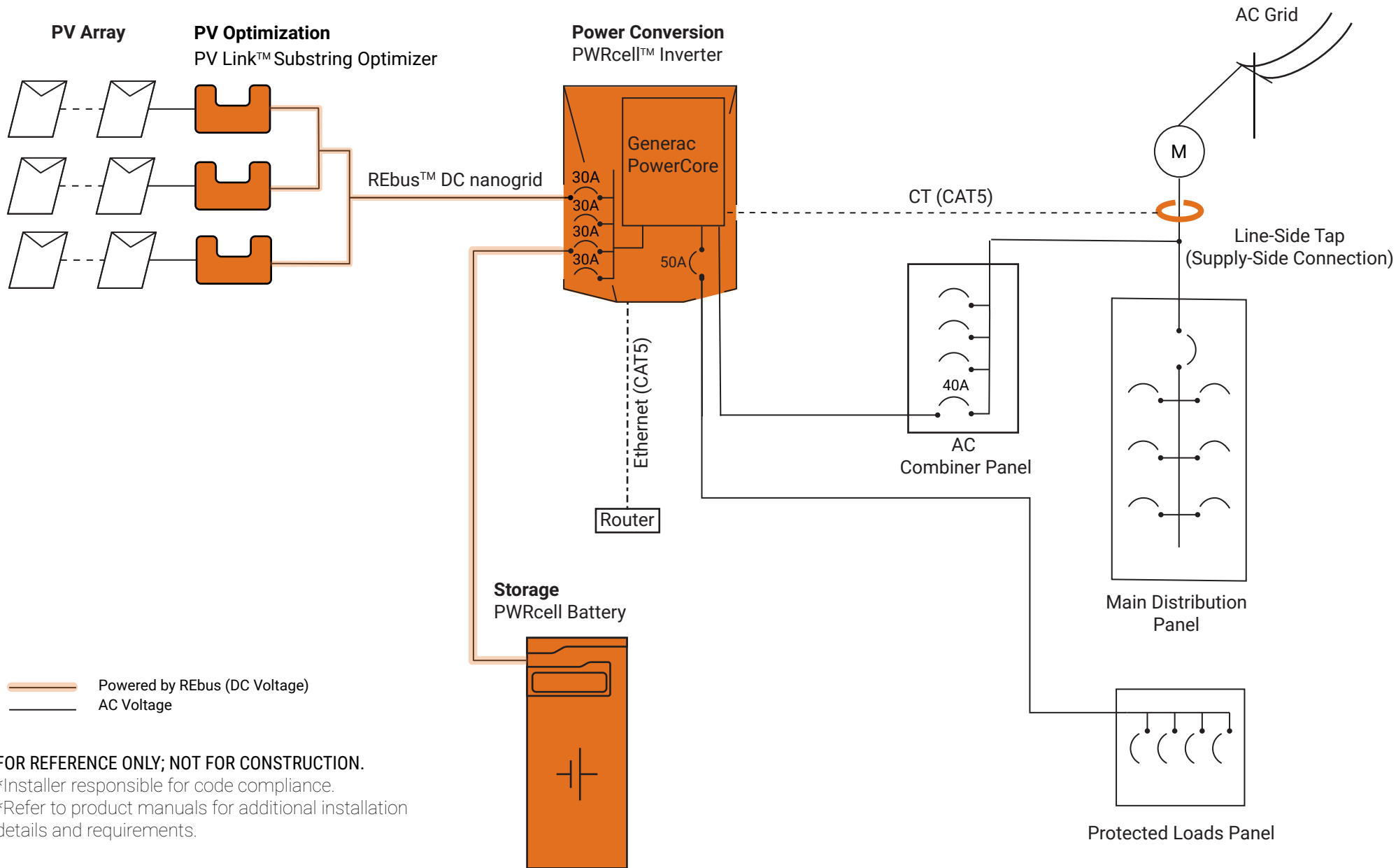
Part No. A0000521683 | Rev. E | 29. III 2020

Grid Connected / PV Ready

- 1 PWRcell Inverter
- 1 PWRcell Battery
- 1 CT Kit (included)



Generac Power Systems, Inc.
 S45 W29290 Hwy. 59
 Waukesha, WI 53180

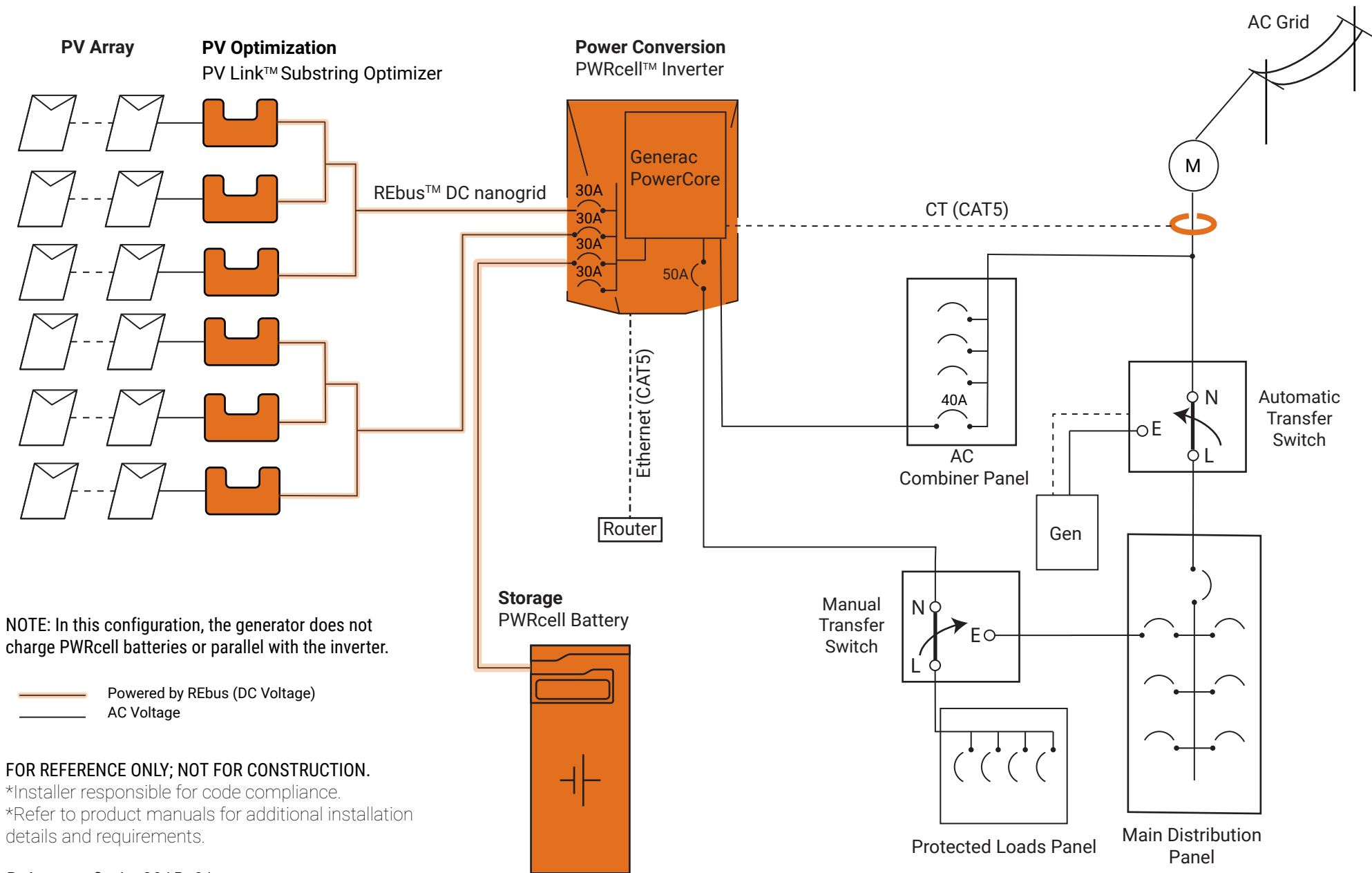


Line-Side Tap / Solar + Storage

- 1 PWRcell Inverter
- 3 PV Links (max 6)
- 1 PWRcell Battery
- 1 CT Kit (included)

GENERAC®

Generac Power Systems, Inc.
S45 W29290 Hwy. 59
Waukegan, WI 53190



FOR REFERENCE ONLY; NOT FOR CONSTRUCTION.

*Installer responsible for code compliance.

*Refer to product manuals for additional installation details and requirements.

Reference Code-231B-01

This design shows a PWRcell system configured with an on-site generator. This design isolates the generator from the inverter and involves a line-side tap and two transfer switches. The inverter output supports a loads panel that can also be transferred to the generator.

On Site Generator / Solar + Storage

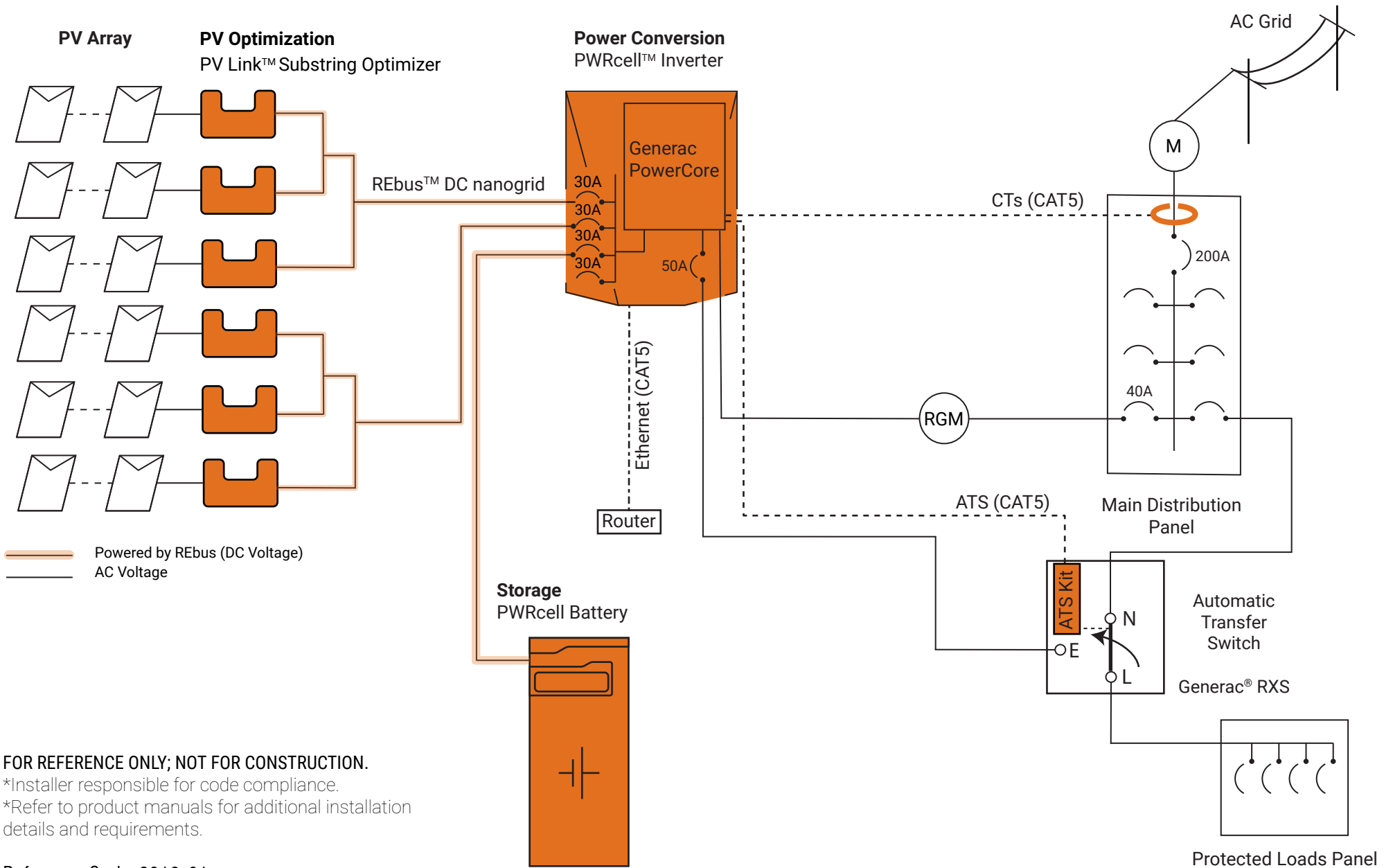
- 1 PWRcell Inverter
- 6 PV Links
- 2 PWRcell Batteries
- 1 CT Kit (included)

This configuration is acceptable with most utility services.

Part No. A0000521682 | Rev. E | 29 | III | 2020



Generac Power Systems, Inc.
S45 W29290 Hwy. 59
Waukesha, WI 53180



FOR REFERENCE ONLY; NOT FOR CONSTRUCTION.

*Installer responsible for code compliance.

*Refer to product manuals for additional installation details and requirements.

Reference Code-2318-01

This design shows a PWRcell system with a revenue grade meter (RGM) connected for participation in a solar incentive program. Use this system configuration to maximize solar incentive credit and provide backup power to a protected loads panel when grid power is not available.

This configuration is acceptable for use with 200A or larger utility services.

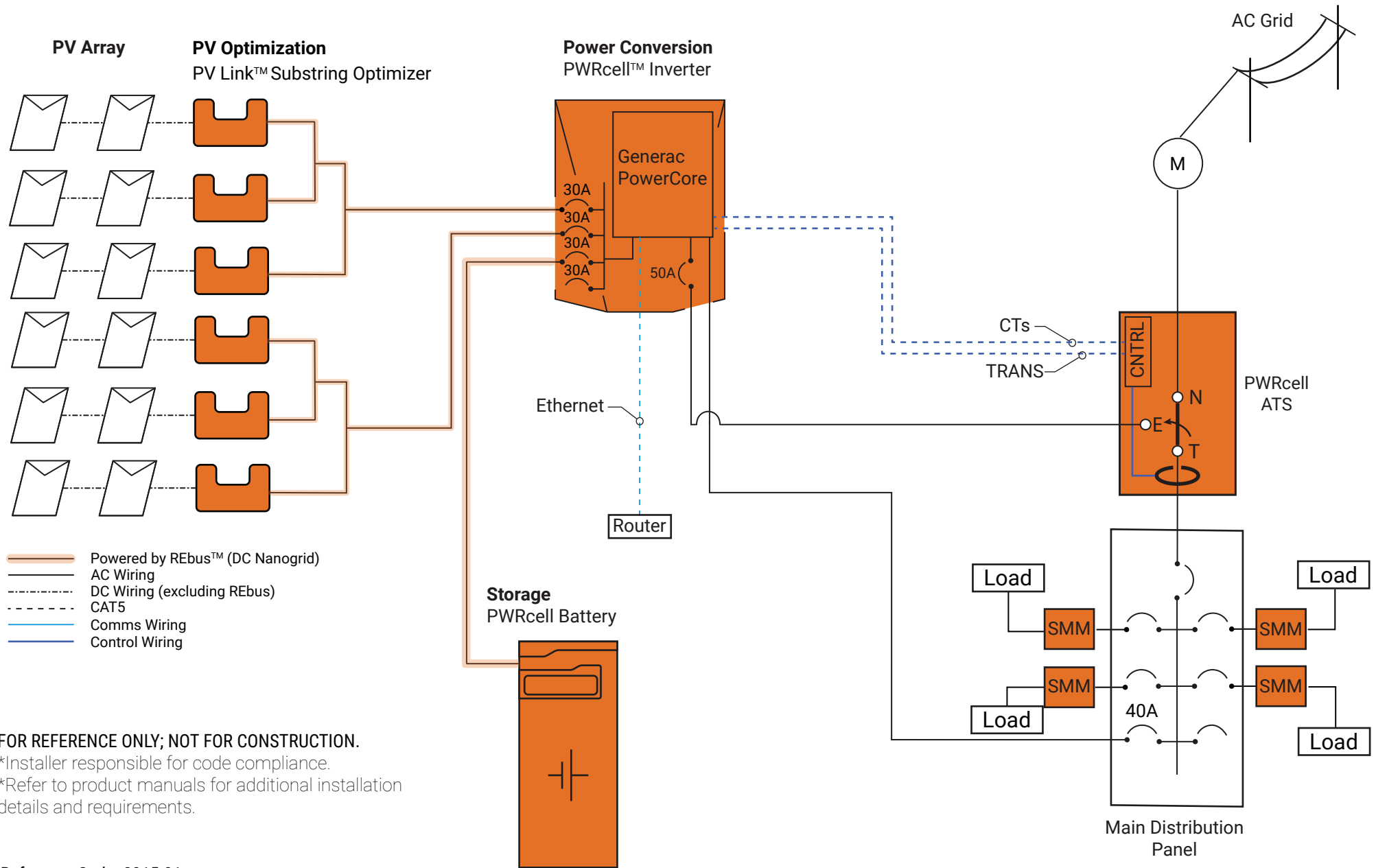
Part No. A0000521683 | Rev. E | 29 | III | 2020

RGM with Protected Loads / Solar + Storage

- 1 PWRcell Inverter
- 6 PV Links
- 1 PWRcell Battery
- 1 CT Kit (included)
- 1 ATS Kit

GENERAC®

Generac Power Systems, Inc.
S45 W29290 Hwy. 59
Waukegan, WI 53190



FOR REFERENCE ONLY; NOT FOR CONSTRUCTION.

*Installer responsible for code compliance.

*Refer to product manuals for additional installation details and requirements.

Reference Code: 2315-01

This design shows a Generac PWRcell system with a PWRcell ATS in a whole home backup configuration. Use this system configuration to provide backup power to the main service panel loads using Generac Smart Management Modules (SMMs) for load shedding in accordance with NEC 702.4(B) and Article 220.

This configuration is acceptable with 200A or larger utility services.

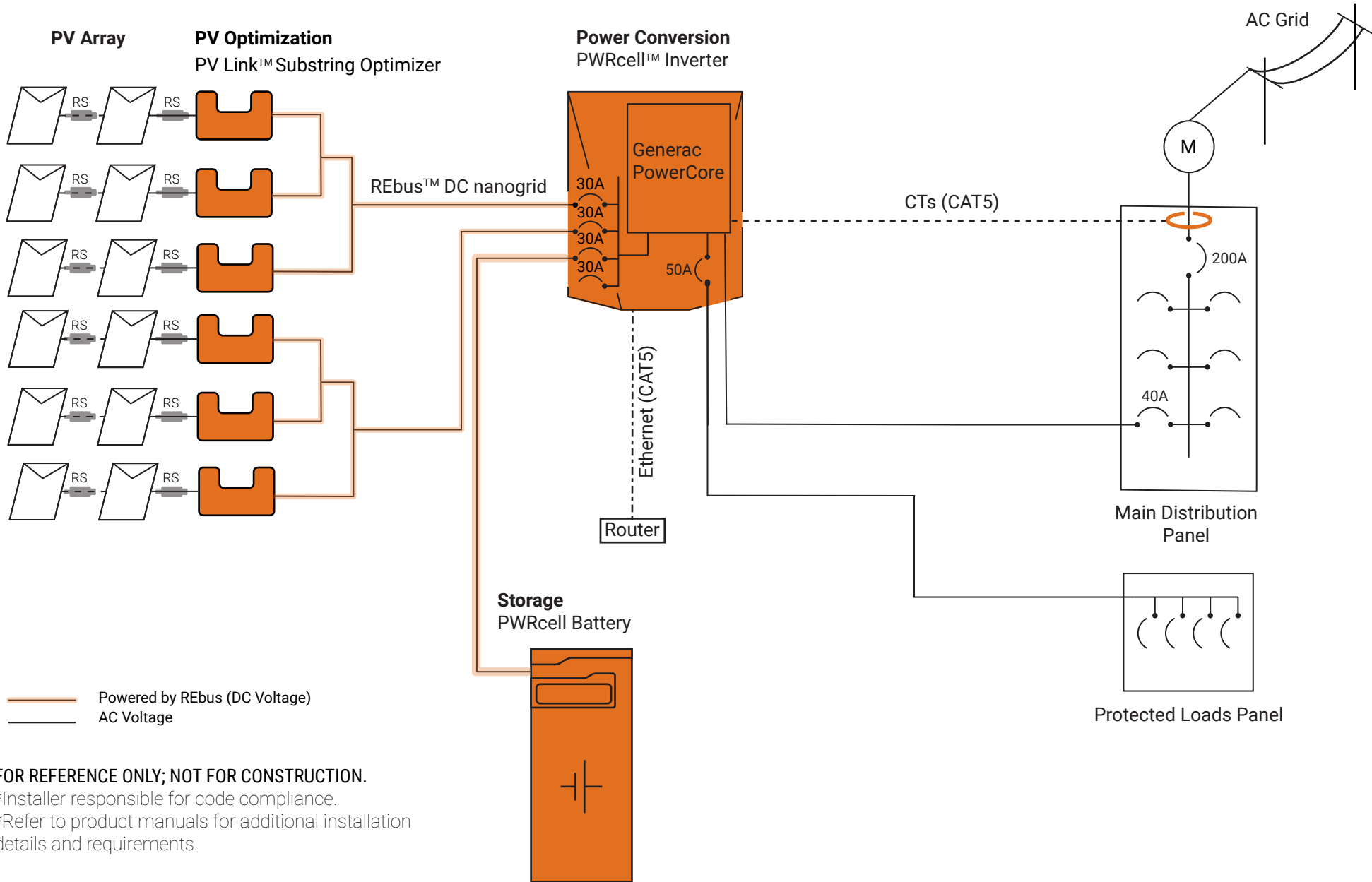
Part No. A0000521683 | Rev. E | 29 Jul 2020

Whole Home Backup / Solar + Storage

- 1 PWRcell Inverter
- 1 CT Kit (incl.)
- 6 PV Links
- 1 PWRcell ATS
- 1 PWRcell Battery
- 4 Generac SMMs

GENERAC®

Generac Power Systems, Inc.
S45 W29290 Hwy. 59
Waukesha, WI 53180



FOR REFERENCE ONLY; NOT FOR CONSTRUCTION.

*Installer responsible for code compliance.

*Refer to product manuals for additional installation details and requirements.

Reference Code-6312-01

This design shows a PWRcell system with a Protected Loads panel to provide backup power to loads. SnapRS devices are added to the PV strings to achieve 2017 NEC PVRSS with PV Link (S2502 or higher). Refer to the PV Link Installation Manual for more information.

This configuration is acceptable for use with 200A or larger utility services.

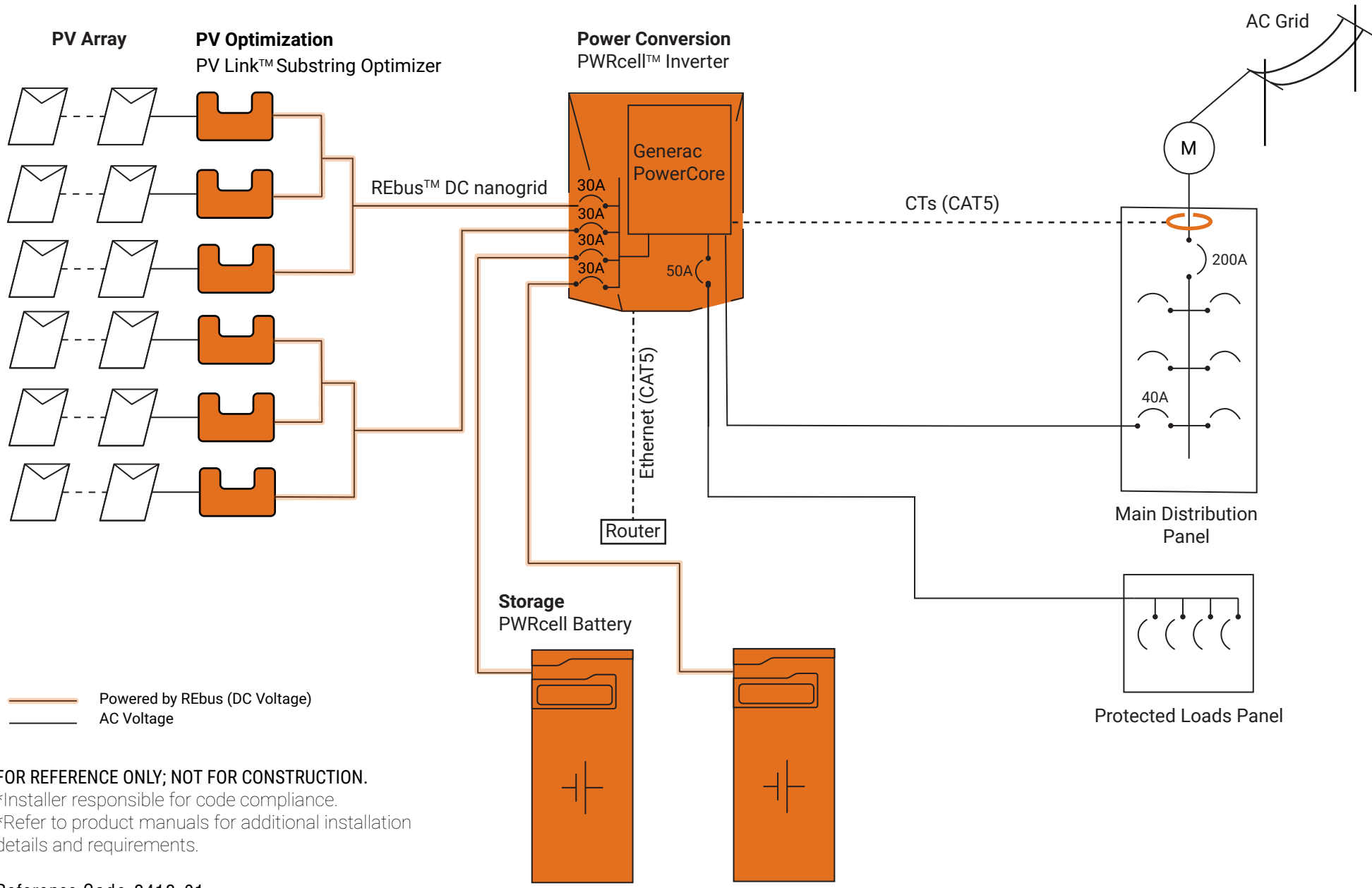
Part No. A0000521683 | Rev. E | 29 | III | 2020

2017 NEC PVRSS / Solar + Storage

- 1 PWRcell Inverter
- 6 PV Links
- 1 PWRcell Battery
- 1 CT Kit (included)
- N SnapRS (N = # of PV modules)



Generac Power Systems, Inc.
S45 W29290 Hwy. 59
Waukegan, WI 53190



FOR REFERENCE ONLY; NOT FOR CONSTRUCTION.

*Installer responsible for code compliance.

*Refer to product manuals for additional installation details and requirements.

Reference Code-2412-01

This design shows a Generac PWRcell system fully utilizing all of its DC terminals to the maximum possible. A Protected Loads Panel is connected to the output of the inverter to provide backup power for Self-Consumption and/or Islanding situations..

This configuration is acceptable for use with 200A or larger utility services.

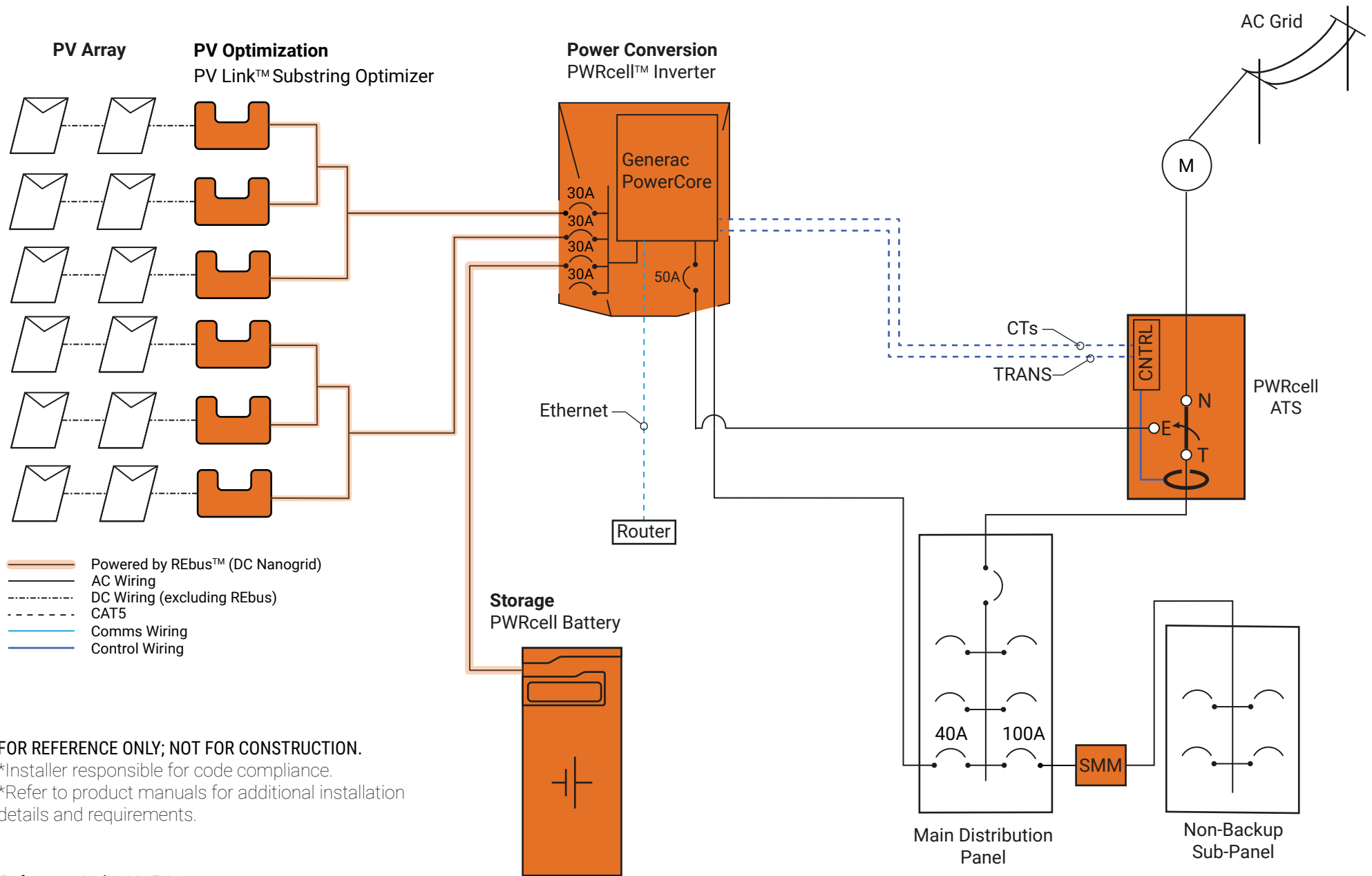
Part No. A0000521682 | Rev. E | 29. III 2020

Max. Capacity System / Solar + Storage

- 1 PWRcell Inverter
- 6 PV Links
- 2 PWRcell Batteries
- 1 CT Kit (included)

GENERAC®

Generac Power Systems, Inc.
S45 W29290 Hwy. 59
Waukegan, WI 53190



This design shows a Generac PWRcell system with a PWRcell ATS in a whole home backup configuration. Use this system configuration to provide backup power to the main service panel loads using Generac Smart Management Modules (SMMs) for load shedding in accordance with NEC 702.4(B) and Article 220.

Whole Home Backup / Solar + Storage

- 1 PWRcell Inverter
- 6 PV Links
- 1 PWRcell Battery
- 1 CT Kit (incl.)
- 1 PWRcell ATS
- 1 Generac SMM

This configuration is acceptable with 200A or larger utility services.

GENERAC®

Generac Power Systems, Inc.
S45 W29290 Hwy. 59
Waukesha, WI 53180