

FLASH LOC



FLASHLOC is the ultimate attachment for composition shingle and rolled comp roofs. The all-in-one mount installs fast — no kneeling on hot roofs to install flashing, no prying or cutting shingles, no pulling nails. Simply drive the lag bolt and inject sealant into the base. **FLASHLOC's** patented TRIPLE SEAL technology preserves the roof and protects the penetration with a permanent pressure seal. Kitted with lag bolts, sealant, and hardware for maximum convenience. Don't just divert water, **LOC it out!**

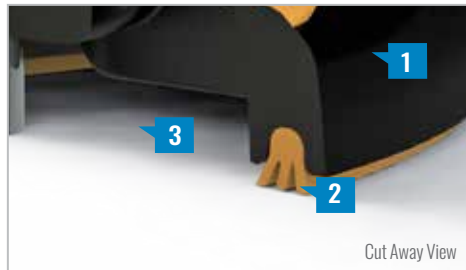


TESTED TO TAS-100
WIND DRIVEN RAIN TEST
AND UL441 RAIN TEST



PROTECT THE ROOF

Install a high-strength waterproof attachment without lifting, prying or damaging shingles.



LOC OUT WATER

With an outer shield **1** contour-conforming gasket **2** and pressurized sealant chamber **3** the Triple Seal technology delivers a 100% waterproof connection.



HIGH-SPEED INSTALL

Simply drive lag bolt and inject sealant into the port **4** to create a permanent pressure seal.

FASTER INSTALLATION. 25-YEAR WARRANTY.

FOR QUESTIONS OR CUSTOMER SERVICE VISIT UNIRAC.COM OR CALL (505) 248-2702

FLASH LOC

INSTALLATION GUIDE



PRE-INSTALL

Snap chalk lines for attachment rows. On shingle roofs, snap lines 1-3/4" below upslope edge of shingle course. Locate rafters and mark attachment locations.

At each location, drill a 7/32" pilot hole. Clean roof surface of dirt, debris, snow, and ice. Next, BACKFILL ALL PILOT HOLES WITH SEALANT.

NOTE: Space mounts per racking system install specifications.



STEP 1: SECURE

Place **FLASHLOC** over pilot hole with lag on down-slope side. Align indicator marks on sides of mount with chalk line. Pass included lag bolt and sealing washer through **FLASHLOC** into pilot hole. Drive lag bolt until mount is held firmly in place.

NOTE: The EPDM in the sealing washer will expand beyond the edge of the metal washer when proper torque is applied.



STEP 2: SEAL

Insert tip of UNIRAC provided sealant into port. Inject until sealant exits both vents.

Continue array installation, attaching rails to mounts with provided T-bolts.



NOTE: When **FLASHLOC** is installed over gap between shingle tabs or vertical joints, fill gap/joint with sealant between mount and upslope edge of shingle course.

NOTE: When installing included rail attachment hardware, torque nut to 30 ft/lbs.

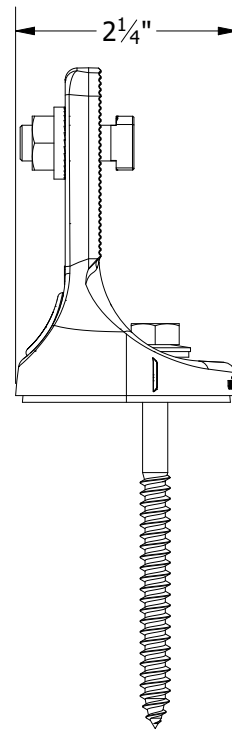
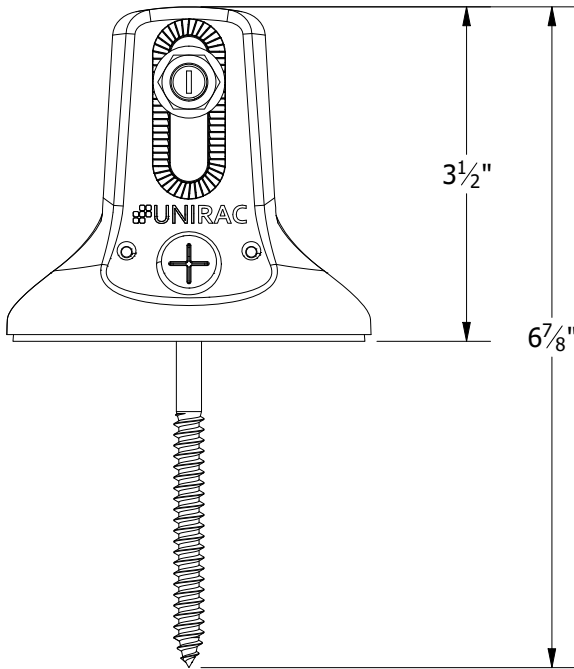
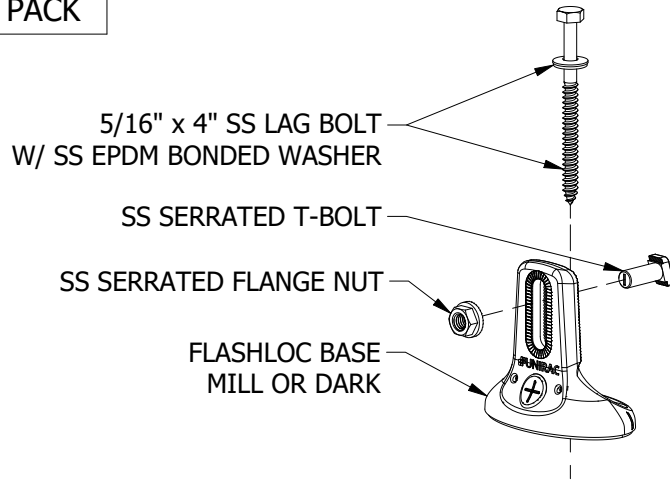
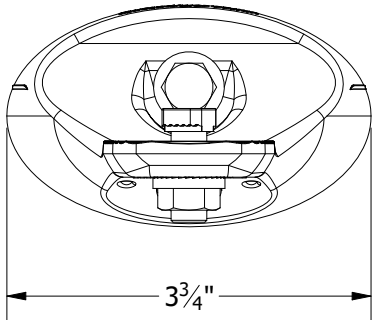
USE ONLY UNIRAC APPROVED SEALANTS: Chemlink Duralink 50 (included in kit) or Chemlink M-1

FASTER INSTALLATION. 25-YEAR WARRANTY.

FOR QUESTIONS OR CUSTOMER SERVICE VISIT UNIRAC.COM OR CALL (505) 248-2702

PART TABLE

| P/N | DESCRIPTION |
|---------|---------------------------------|
| 004085M | FLASHLOC COMP KIT MILL, 20 PACK |
| 004085D | FLASHLOC COMP KIT DARK, 20 PACK |



1411 BROADWAY BLVD. NE
ALBUQUERQUE, NM 87102 USA
PHONE: 505.242.6411
WWW.UNIRAC.COM

| | |
|----------------|-------------------|
| PRODUCT LINE: | SOLARMOUNT |
| DRAWING TYPE: | PART DRAWING |
| DESCRIPTION: | FLASHLOC COMP KIT |
| REVISION DATE: | 4/28/2020 |

DRAWING NOT TO SCALE
ALL DIMENSIONS ARE
NOMINAL

PRODUCT PROTECTED BY
ONE OR MORE US PATENTS
LEGAL NOTICE

FL-A01

SHEET