

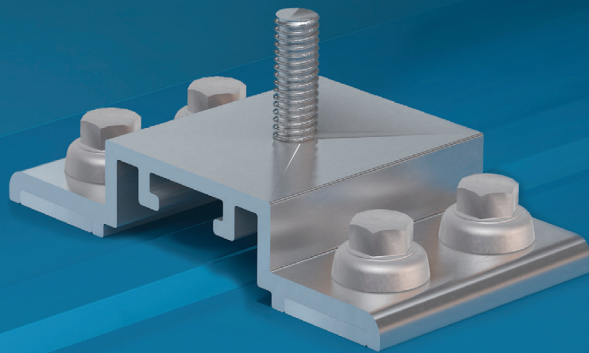
S-5!®

The Right Way!

NEW PRODUCT
SolarFoot™

Introducing the new SolarFoot™ for exposed fastener metal roofing with the strength, testing, quality, and time-proven integrity you expect from S-5!. The SolarFoot provides an ideal mounting platform to attach the L-Foot (not included) of a rail-mounted PV system to the roof. This solution is The Right Way to secure rail-mounted solar systems to exposed fastener metal such as AG-Panel or R-Panel.

The right way to attach almost anything to metal roofs!



SolarFoot Features:

Manufactured in the U.S.A. from certified raw material

Fabricated in our own ISO 9001:2015 certified factory

All aluminum and stainless components

25yr limited warranty

Compatible with all commercial L-Foot products on the market

Factory applied 40-year isobutylene/isoprene crosslink polymer sealant for reliable weathertightness

Sealant reservoir to prevent over-compression of sealant

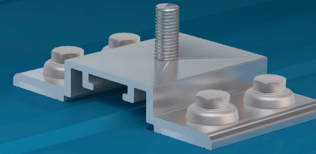
Load-to-failure tested Normal to Seam by a nationally accredited laboratory on numerous metal roof materials and substrates

Four points of attachment into structure or deck with tested holding strength for engineered applications

Integrated M8-1.25x17mm stud and M8-1.25 stainless steel hex flange nut included

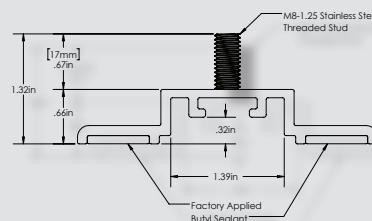
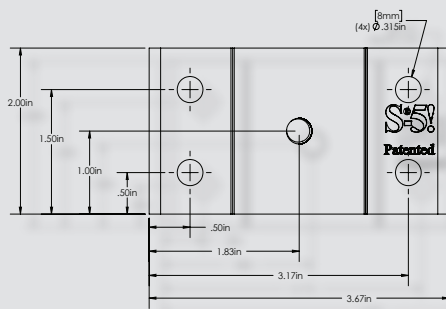


888-825-3432 | www.S-5.com



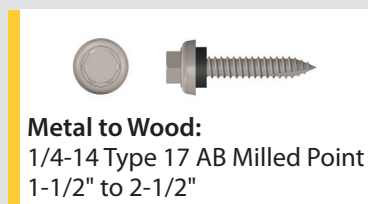
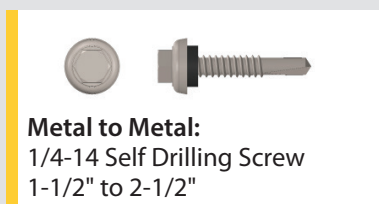
SolarFoot™ Mounting for Exposed Fastener Roofing

The SolarFoot is a simple, cost-effective pedestal for L-Foot (not included) attachment of rail-mounted solar PV. The unique design is compatible with all rail producer L-Foot components. The new SolarFoot assembly ensures a durable weathertight solution for the life of the roof. Special factory applied butyl co-polymeric sealant contained in a reservoir is The Right Way, allowing a water-tested seal. Stainless integrated stud and hex flange lock-nut secure the L-Foot into position. A low center of gravity reduces the moment arm commonly associated with L-Foot attachments. Direct attachment of the SolarFoot to the structural member or deck provides unparalleled holding strength.



*Fasteners sold separately. Fastener type varies with substrate. Contact S-5! on how to purchase fasteners and obtain our test results. L-Foot also sold separately.

Fastener Selection



To source fasteners for your projects, contact S-5!

When other brands claim to be "just as good as S-5!", tell them to PROVE IT.

SolarFoot Advantages:

Exposed fastener mounting platform for solar arrays attached via L-Foot and Rails

Weatherproof attachment to exposed fastener roofing

Butyl sealant reservoir provides long-term waterproof seal

M8-1.25x17mm stud with M8 hex flange nut for attachment of all popular L-Foot/rail combinations

Tool: 13 mm Hex Socket or 1/2" Hex Socket

Tool Required: Electric screw gun with hex drive socket for self-tapping screws.

Low Center of Gravity reduces moment arm commonly associated with L-Foot/Rail solar mounting scenarios

Attaches directly to structure or deck for optimal holding strength

S-5! Recommended substrate-specific (e.g. steel purlin, wood 2x4, OSB, etc.) fasteners provide excellent waterproofing and pull-out strength

Fastener through-hole locations comply with NDS (National Design Specification) for Wood Construction

S-5!® Warning! Please use this product responsibly!

The independent lab test data found at www.S-5.com can be used for load-critical designs and applications.

Products are protected by multiple U.S. and foreign patents. For published data regarding holding strength, fastener torque, patents, and trademarks, visit the S-5! website at www.S-5.com. Copyright 2017, Metal Roof Innovations, Ltd. S-5! products are patent protected.

Copyright 2017, Metal Roof Innovations, Ltd. Version 102017

Distributed by: