

**Third Party
Lab Tested**

**3,600 lbs Uplift load
1,380 lbs. Side Axial load
Waterproof Tested**

FastJack®



UL2703*



Intertek
4007217

**FastJack® Structural Roof Attachment
with New Aluminum Flashing and Collar**



**"See 90 second
real-time complete
install video at
www.prosolar.com"**



Available in:

2" tall FastJack® E-Series

Part #FJE-200

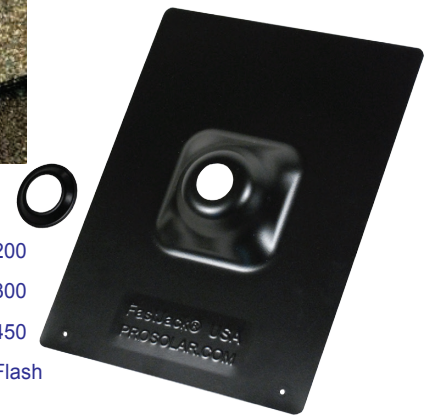
3" tall FastJack® E-Series

Part #FJE-300

4-1/2" tall FastJack® E-Series

Part #FJE-450

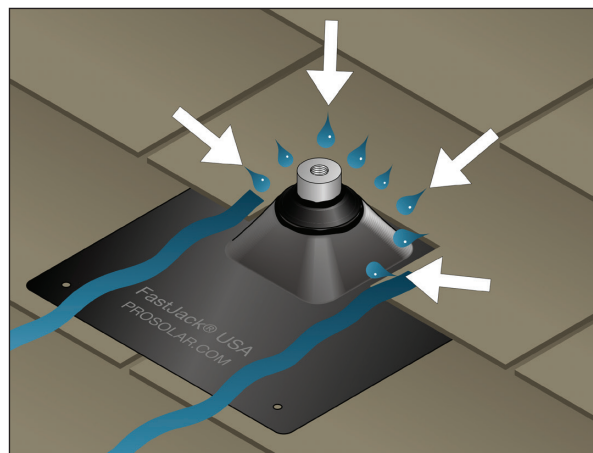
FastJack® E-Series Flashing & Collar Part #FJE-Flash



Benefits of FastJack® and FastJack® Flashing

- Lowest cost, highest quality
- 90 second install time
- Includes Lag screw and ProSolar rail attachment hardware
- Black powder-coated flashing and collar
- Solid aluminum post prevents water flow through post into roof
- Heavy-duty 0.032" aluminum flashing thickness

The FastJack® Design



- Patented, single lag bolt design makes it the easiest to install attachment
- 2 piece design allows flashing to easily slip over base, prior to post
- Flashing design prevents water ingress from any direction
- Made in U.S.A., American Recovery and Reinvestment Act (ARRA) compliant

professional
SOLAR
products inc.

(805) 486-4700

(805) 486-4799-fax
1551 S. Rose Ave.
Oxnard, CA 93033

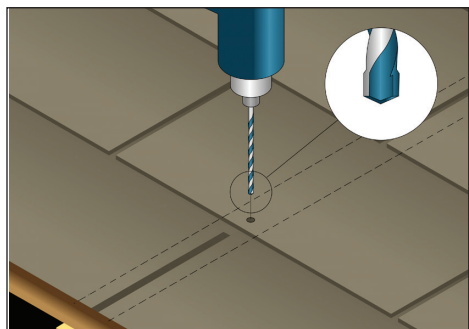
View more info on our
website at:

www.prosolar.com

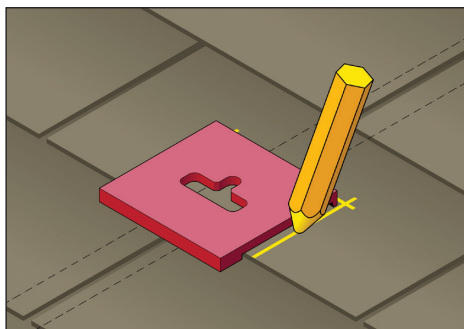
*As load tested with ProSolar® RoofTrac® System

Installation steps for FastJack® and FastJack® Flashing

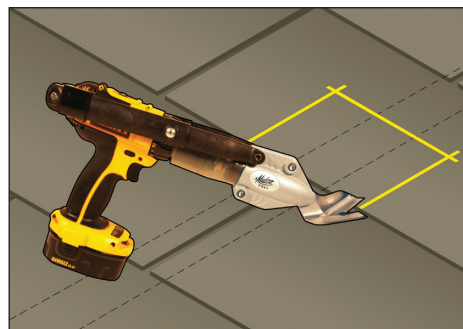
per UL2703 reference installation



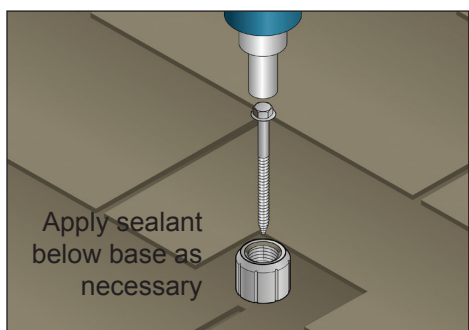
Step 1: Drill rafter pilot hole with 3/16" carbide bit



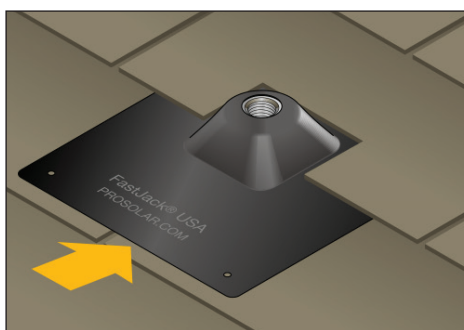
Step 2: Mark trim lines using template and lumber crayon



Step 3: Trim and remove shingle.
For high volume use Malco TurboShear Asphalt shingle cutter



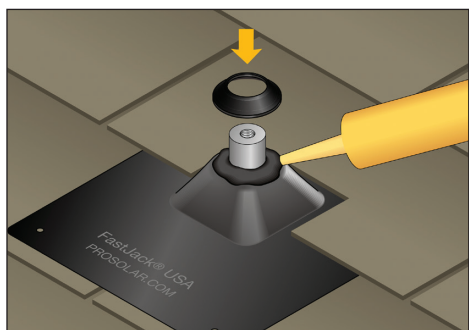
Step 4. Drive lag screw through FastJack® base with cordless impact gun until seated.



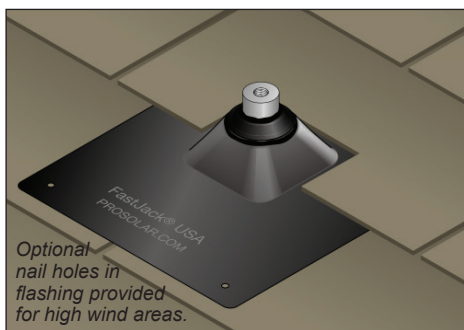
Step 5: Slide FastJack® flashing under shingle



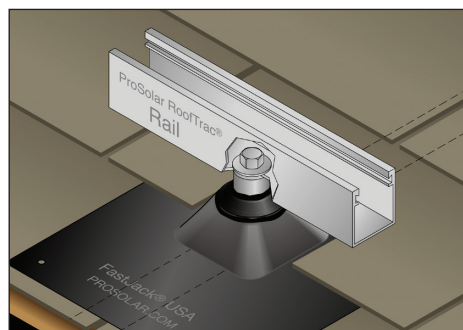
Step 6: Tighten FastJack® post into base



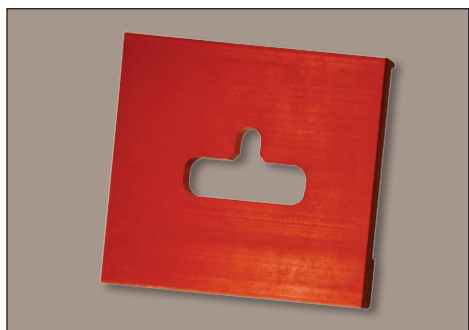
Step 7: Apply 1/4" bead of sealant (Geocel 4500) and compress with Aluminum collar.



Step 8: Done



Step 9: Attach ProSolar RoofTrac® rail and clamps



Shingle cutting template.
Part #TEMP-FJE



Malco TurboShear drill accessory.
Part #A-Malco drill shown

For use with 1 inch post diameter ProSolar FastJack® E-Series

FastJack® E-Series and parts packaged separately

See online installation guide for further details

FastJack® patent #6,360,491

www.prosolar.com