

FEATURES:

Easy installation

Low cost, high efficiency solution

NEC 2017 and 2020 PVRSS compliant



SnapRS™

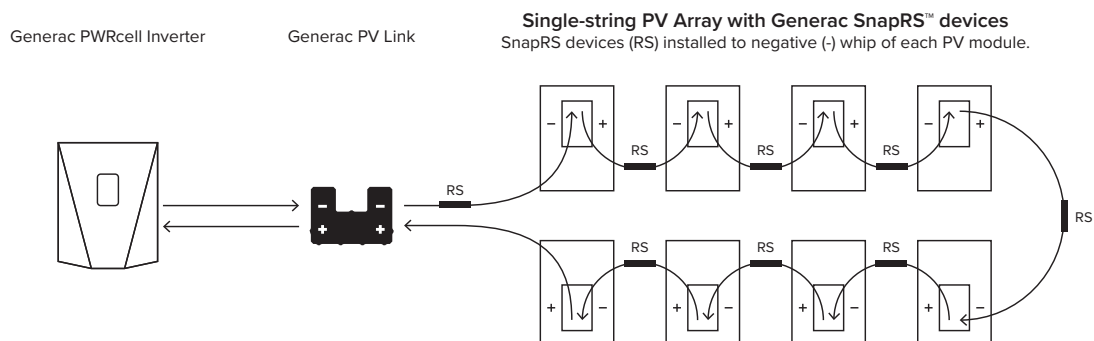
Inline Disconnect Switch

Model: APKE00011 Certification Model Reference: RS801

The Generac SnapRS is NEC 2017 compliant, and doesn't require any extra hardware to mount, no pairing and no fussy digital communications. Just snap a Generac SnapRS disconnect device to each PV module for total rapidshutdown performance. When signaled by the inverter, SnapRS units break the PV circuit, reducing array voltage to <80V in seconds.

SYSTEM DESIGN

Snap a Generac SnapRS disconnect device to the negative whip (-) of each module in the solar array for simple NEC-2017 module-level rapid shutdown compliance. SnapRS devices isolate array voltage when a rapid shutdown command is given by a connected Islanding Inverter



ADDITIONAL FEATURES

- Fast, easy and simple to install
- One SnapRS device per PV module
- Achieves PVRSS Compliance
- Low cost, high efficiency solution

Specifications



SNAPRS (APKE00011)

PV MODULE MAX VOC	75 V	OPERATING TEMPERATURE	-40 to 70 °C
EFFICIENCY	99.9 %	CERTIFICATIONS	UL1741
MAX INPUT CURRENT	13 A	WEIGHT	100 g
SHUTDOWN TIME	< 10 Seconds	DIMENSIONS (L,W,H)	1" x 1" x 7"
ENCLOSURE RATING	NEMA 6P	WARRANTY	25 Years

Specifications subject to change without notice.

GENERAC[®]

Generac Power Systems, Inc.
S45 W29290 Hwy. 59, Waukesha, WI 53189
www.Generac.com 1-888-GENERAC (1-888-436-3722)

Part No. A0000528183 REV A