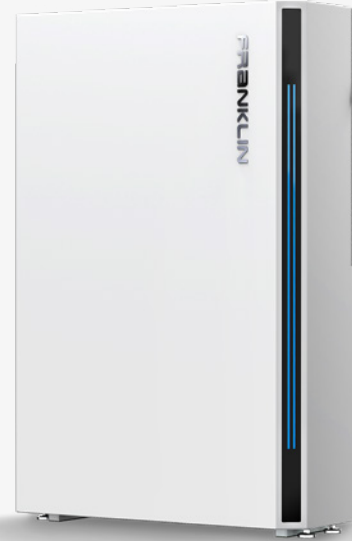


aPower

AC-coupled battery

Store solar generated power when the sun is shining. Use the stored energy to reduce homeowners' electric bill. Run heavy loads such as air conditioners and water heaters as usual even in grid outages. Provide homeowners peace of mind by fully charging before severe weather events.



- ✓ LFP chemistry
- ✓ Built-in inverter
- ✓ 13.6 kWh per unit, up to 204 kWh (15 units)
- ✓ 5 kW continuous / 10 kW (10s)

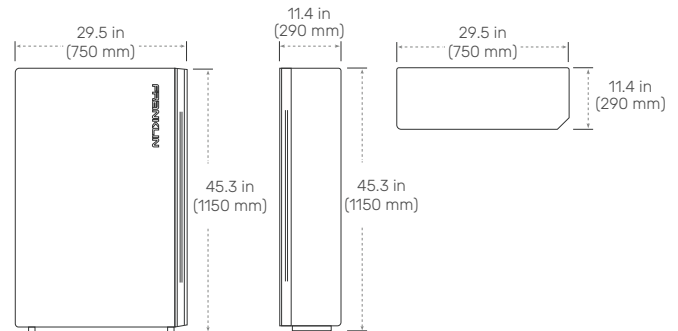
- ✓ First-of-its-kind 208 V compliant battery for multi-family housing
- ✓ Operating normally even in -4°F (-20°C)
- ✓ IP67 protection
- ✓ Capable to start 4-Ton AC

PERFORMANCE SPECIFICATIONS

Battery Chemistry	Lithium Iron Phosphate (LFP)
Usable System Energy	13.6 kWh per unit, scalability up to 15 units ¹
Aggregate Throughput	43 MWh
Maximum Real Power	5 kW continuous, 10 kW for 10 seconds
Load Start Capability	118 A LRA ²
Nominal AC Voltage	120 V / 208 V, 120 V / 240 V, 60 Hz
Coupling	AC-coupled
Phase	2 W+N+PE
Round Trip Efficiency	89% ³
Work Modes	Self-Consumption, Time of Use, Emergency Backup
Noise Emission	< 30 dB (A) ⁴
User Interface	FranklinWH App
Warranty	12 years

MECHANICAL SPECIFICATIONS

Dimensions (H x W x D)	45.3 in x 29.5 in x 11.4 in (1150 mm x 750 mm x 290 mm)
Weight	408 lb (185 kg)
Mounting	Wall mount or floor mount
Cooling	Natural air-cooled design



COMPLIANCE INFORMATION

Certifications	UL 9540, UL 9540A, UL 1741, UL 1973, IEEE 1547, IEEE 1547.1, UN 38.3, CAN/CSA C22.2 No. 107.1-16
Seismic	AC 156, OSHPD, IEEE 693-2005 (high)
Environmental	California Proposition 65 RoHS Directive 2011 / EU
Emissions	FCC Part 15 Class B, ICES 003

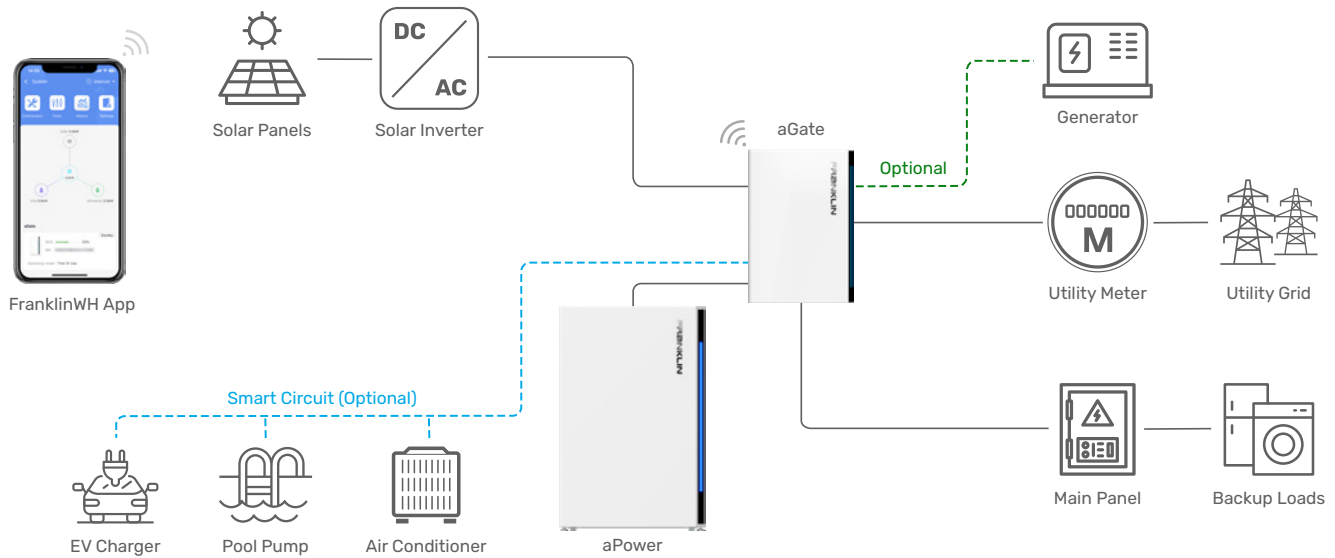
ENVIRONMENTAL SPECIFICATIONS

Ingress Protection	IP67 (Battery and power converter system), IP56 (Wiring compartment)
Operating Temperature	-4°F to 122°F (-20°C to 50°C)
Operating Humidity (RH)	Up to 100% RH, condensing
Altitude	Maximum 9,843 ft (3,000 m)
Environment	Indoor and outdoor rated

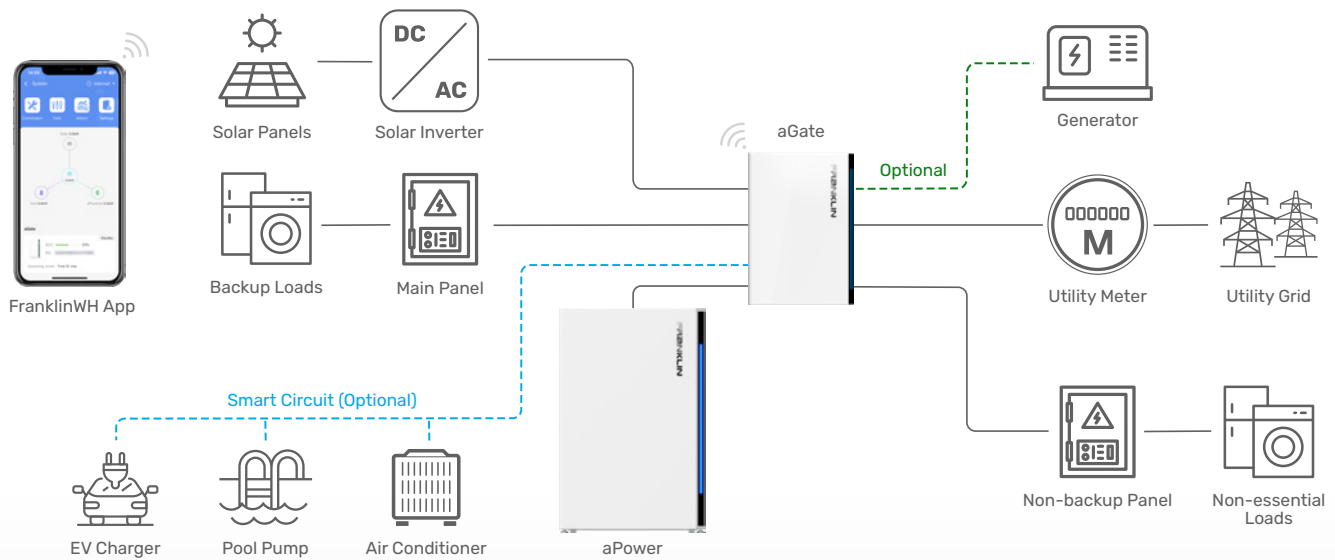
1. For 120V/208V applications, max. 4 aPowers per aGate can be connected in parallel. Please contact us if you have large capacity requirements.
 2. Load start capability may vary.
 3. At beginning of life, AC to battery to AC, 50% power rating.
 4. 5kW discharge power, no fan running.

Franklin Home Power Solution

Whole Home Backup



Partial Home Backup



Address: 1731 Technology Dr., Suite 530 San Jose, CA 95110 Telephone: +1 888-837-2655 Email: info@franklinwh.com Website: www.franklinwh.com

Copyright 2024 FranklinWH Energy Storage Inc. All rights reserved. The Franklin logo, FranklinWH, and other trademarks or service names are the trademarks of FranklinWH Energy Storage Inc. The document is for informational purposes only, data subject to change. 2023-12-06

