

aGate

Smart energy management system

Serves as the controller for all home power sources by interconnecting solar, grid, battery, and standby generator (if present) to supply electricity to the home. Seamlessly transitions the home supply from grid power to backup power so that always-on appliances, such as the refrigerator and router, will not be affected when grid goes down.



- ✓ Micro-Grid interconnect device (MID)
- ✓ Compatible with micro and string solar inverter
- ✓ Optional Generator Module

- ✓ Optional Smart-Circuit Module
- ✓ Auto load-shedding
- ✓ Integrated PV and Grid metering

PERFORMANCE SPECIFICATIONS

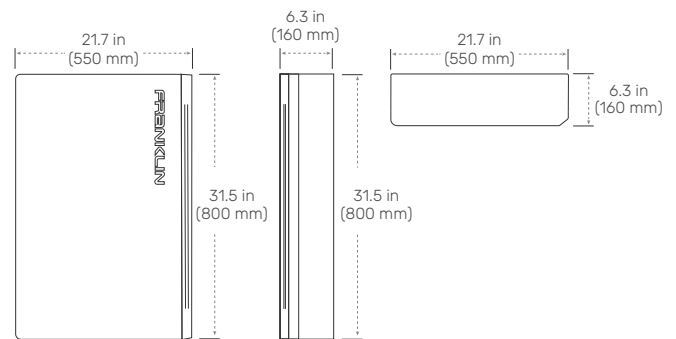
Coupling	AC-coupled
Nominal AC Voltage	120 V / 208 V, 120 V / 240 V, 60 Hz
Phase	2 W+N+PE
aPower Over Current Protection Device	100 A Max
Solar Input Over Current Protection Device	80 A Max
Backup Load Port Over Current Protection Device	200 A Max
Generator Over Current Protection Device ¹	200 A Max
Smart Circuits Over Current Protection Device ²	Opt. a 1 × 80 A Max @ 208 V / 240 V & 1 × 50 A Max @ 208 V / 240 V Opt. b 1 × 80 A Max @ 208 V / 240 V & 2 × 50 A Max @ 120 V
Maximum Supply Fault Current	20 kA
Work Modes	Self-Consumption, Time of Use, Emergency Backup
Communications	Ethernet / 4G / Wifi
User Interface	FranklinWH App
Warranty	12 years

COMPLIANCE INFORMATION

Certifications	UL 1741 PCS, UL 67 ³ , UL 869A ³ , UL 916 ³ , CAN/CSA C22.2 No. 107.1-16
Seismic	AC 156, OSHPD, IEEE 693-2005 (high)
Environmental	California Proposition 65 RoHS Directive 2011 / EU
Emissions	FCC Part 15 Class B, ICES 003

MECHANICAL SPECIFICATIONS

Dimensions (H × W × D)	31.5 in × 21.7 in × 6.3 in (800 mm × 550 mm × 160 mm)
Weight	50 lb (23 kg)
Mounting	Wall mount or floor mount



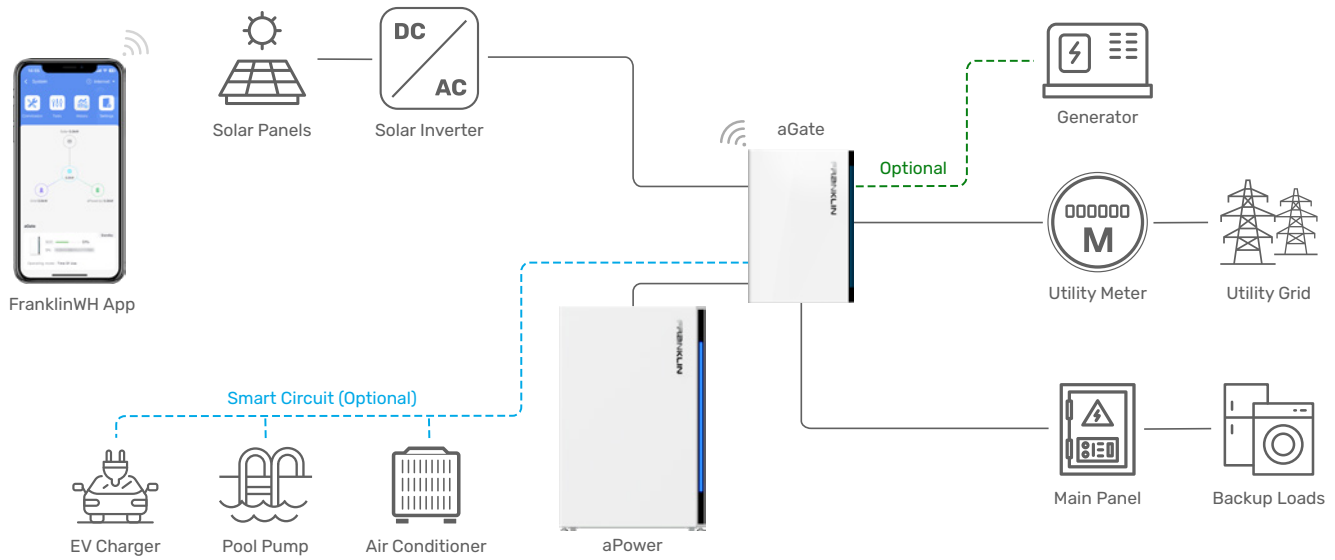
ENVIRONMENTAL SPECIFICATIONS

Enclosure Type	NEMA 3R
Operating Temperature	-4°F to 122°F (-20°C to 50°C)
Operating Humidity (RH)	Up to 100% RH, condensing
Altitude	Maximum 9,843 ft (3,000 m)
Environment	Indoor and outdoor rated

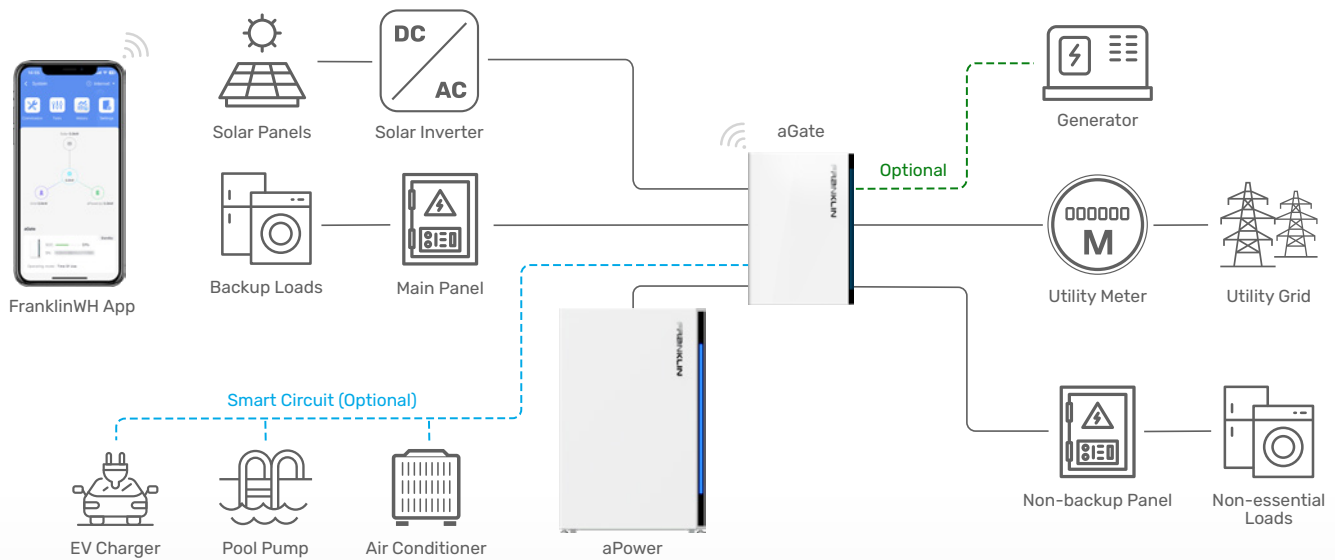
1. Generator Module is optional.
2. Smart Circuit Module is optional.
3. Sections from these standards were used during the safety evaluation and included in the UL 1741 listing.

Franklin Home Power Solution

Whole Home Backup



Partial Home Backup



Address: 1731 Technology Dr., Suite 530 San Jose, CA 95110 Telephone: +1 888-837-2655 Email: info@franklinwh.com Website: www.franklinwh.com

Copyright 2024 FranklinWH Energy Storage Inc. All rights reserved. The Franklin logo, FranklinWH, and other trademarks or service names are the trademarks of FranklinWH Energy Storage Inc. The document is for informational purposes only, data subject to change. 2023-12-01

