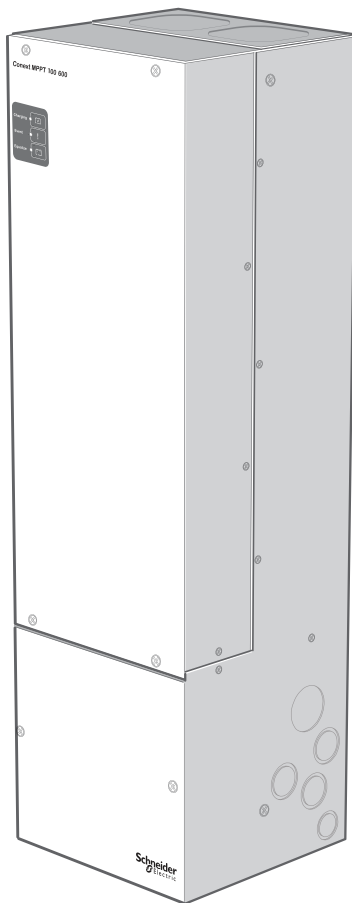


Conext™ MPPT 80 and MPPT 100 Solar Charge Controller

Installation Guide

990-91319B

December 2020



Copyright © 2019 Schneider Electric. All Rights Reserved.

Littelfuse is owned by Littelfuse Inc. Lexan is owned by Sabic. All other trademarks are owned by Schneider Electric Industries SAS or its affiliated companies.

Exclusion for Documentation

UNLESS SPECIFICALLY AGREED TO IN WRITING, SELLER

(A) MAKES NO WARRANTY AS TO THE ACCURACY, SUFFICIENCY OR SUITABILITY OF ANY TECHNICAL OR OTHER INFORMATION PROVIDED IN ITS MANUALS OR OTHER DOCUMENTATION;

(B) ASSUMES NO RESPONSIBILITY OR LIABILITY FOR LOSSES, DAMAGES, COSTS OR EXPENSES, WHETHER SPECIAL, DIRECT, INDIRECT, CONSEQUENTIAL OR INCIDENTAL, WHICH MIGHT ARISE OUT OF THE USE OF SUCH INFORMATION. THE USE OF ANY SUCH INFORMATION WILL BE ENTIRELY AT THE USER'S RISK; AND

(C) REMINDS YOU THAT IF THIS MANUAL IS IN ANY LANGUAGE OTHER THAN ENGLISH, ALTHOUGH STEPS HAVE BEEN TAKEN TO MAINTAIN THE ACCURACY OF THE TRANSLATION, THE ACCURACY CANNOT BE GUARANTEED. APPROVED CONTENT IS CONTAINED WITH THE ENGLISH LANGUAGE VERSION WHICH IS POSTED AT <http://solar.schneider-electric.com/>.

Document Number: 990-91319B

Date: December 2020

Contact Information

For country-specific details, please contact your local Schneider Electric Sales Representative or visit the Schneider Electric Solar Business website at: <http://solar.schneider-electric.com/>

Information About Your System

As soon as you open your product, record the following information and be sure to keep your proof of purchase.

Serial Number	_____
Product Number	_____
Purchased From	_____
Purchase Date	_____

Audience

This manual is intended for use by qualified personnel installing a system involving Schneider Electric Conext MPPT 80 and MPPT 100 Solar Charge Controller.

The qualified personnel have training, knowledge, and experience in:

- Installing electrical equipment and PV and battery input systems (up to 1000 V).
- Applying all applicable installation codes.
- Analyzing and reducing the hazards involved in performing electrical work.
- Selecting and using Personal Protective Equipment (PPE).

Configuration, servicing, and maintenance must be performed by authorized service personnel only. Authorized service personnel meet the requirements for a qualified installer, plus they have received specific training from the manufacturer on servicing the Conext MPPT 80 or MPPT 100 Solar Charge Controller.

This manual does not contain information regarding servicing or de-energization for servicing. Authorized service personnel must refer to the system schematics to identify, open, lock-out and tag-out, and verify de-energization of all power sources.

About This Guide

Purpose

This Guide provides explanations and procedures for installing and troubleshooting the following Schneider Electric Conext MPPT Solar Charge Controllers:

- Conext MPPT 80 600 Solar Charge Controller (80 A), part number: 865-1032
- Conext MPPT 100 600 Solar Charge Controller (100 A), part number: 865-1034

Scope

This Guide provides safety guidelines, detailed planning and setup information, procedures for installing the charge controller, and information about troubleshooting. It does not provide details about particular brands of photovoltaic (PV) panels or batteries.

Conventions Used

This Guide uses the term “charge controller” to refer to the Conext MPPT 80 and MPPT 100 Solar Charge Controllers.

Abbreviations and Acronyms

CEC	Canadian Electric Code
CSA	Canadian Standards Association
DC	Direct Current
FCC	Federal Communications Commission
GFP	Ground Fault Protection
I_{MP}	Current at maximum power per STC
ISC	Short circuit current rating of an PV panel under STC
LCD	Liquid Crystal Display
LED	Light Emitting Diode
MPP	Maximum Power Point
MPPT	Maximum Power Point Tracking
MSDS	Material Safety Data Sheet
NFPA	National Fire Protection Association
PDP	XW Power Distribution Panel
PV	Photovoltaic
SCP	System Control Panel
STC	Standard Test Conditions specific to photovoltaic panels (1000 W/m ² , light spectrum AM 1.5 and 25 °C); panel nameplate ratings are based on STC and may be exceeded under other conditions.
UL	Underwriters Laboratories
VAC	Volts AC
VDC	Volts DC
V_{MP}	Voltage at maximum power per STC
V_{OC}	Open circuit voltage rating of a PV panel under STC

Related Information

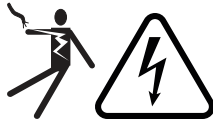
You can find information about operating the charge controller in the *Conext MPPT 80 and MPPT 100 Solar Charge Controller Owner's Guide*. It is provided with the charge controller and is also available at solar.schneider-electric.com.

You can find more information about Schneider Electric as well as its products and services at solar.schneider-electric.com.

Safety Information

Important Information

Read these instructions carefully and look at the equipment to become familiar with the device before trying to install, operate, service or maintain it. The following special messages may appear throughout this documentation or on the equipment to warn of potential hazards or to call attention to information that clarifies or simplifies a procedure.



The addition of either symbol to a “Danger” or “Warning” safety label indicates that an electrical hazard exists which will result in personal injury if the instructions are not followed.



This is the safety alert symbol. It is used to alert you to potential personal injury hazards. Obey all safety messages that follow this symbol to avoid possible injury or death.

⚠ DANGER
DANGER indicates a hazardous situation which, if not avoided, will result in death or serious injury.
⚠ WARNING
WARNING indicates a hazardous situation which, if not avoided, could result in death or serious injury.
⚠ CAUTION
CAUTION indicates a hazardous situation which, if not avoided, could result in minor or moderate injury.
NOTICE
NOTICE is used to address practices not related to physical injury.

Please Note

Electrical equipment should be installed, operated, serviced, and maintained only by qualified personnel. No responsibility is assumed by Schneider Electric for any consequences arising out of the use of this material.

A qualified person is one who has skills and knowledge related to the construction, installation, and operation of electrical equipment and has received safety training to recognize and avoid the hazards involved. For more information, see *Audience*.

Safety Information

- **Before using the charge controller, read all instructions and cautionary markings on the unit, the batteries, and all appropriate sections of this manual.**
- Use of accessories not recommended or sold by the manufacturer may result in a risk of fire, electric shock, or injury to persons.
- The charge controller is designed to be permanently connected to your AC and DC electrical systems. The manufacturer recommends that all wiring be done by a certified technician or electrician to ensure adherence to the local and national electrical codes applicable in your jurisdiction.
- To avoid a risk of fire and electric shock, make sure that existing wiring is in good condition and that wire is not undersized. Do not operate the charge controller with damaged or substandard wiring.
- Do not operate the charge controller if it has been damaged in any way.
- This unit does not have any user-serviceable parts. Do not disassemble the charge controller except where noted for connecting wiring and cabling. See your warranty for instructions on obtaining service. Attempting to service the unit yourself may result in a risk of electrical shock or fire. Internal capacitors remain charged after all power is disconnected.
- To reduce the risk of electrical shock, disconnect both AC and DC power from the inverter before attempting any maintenance or cleaning or working on any components connected to the charge controller. Putting the unit in Standby mode will not reduce this risk.
- The charge controller must be provided with an equipment-grounding conductor.
- Do not expose this unit to rain, snow, or liquids of any type. This product is designed for indoor use only. Damp environments will significantly shorten the life of this product and corrosion caused by dampness will not be covered by the product warranty.
- To reduce the chance of short-circuits, always use insulated tools when installing or working with this equipment. Do not leave tools inside the unit.
- Remove personal metal items such as rings, bracelets, necklaces, and watches when working with electrical equipment.

  DANGER**HAZARD OF ELECTRIC SHOCK, EXPLOSION, ARC FLASH, AND FIRE**

- Apply appropriate personal protective equipment (PPE) and follow safe electrical work practices. See NFPA 70E, CSA Z462, or EN 50110-1.
- This equipment must only be installed and serviced by qualified electrical personnel.
- Never operate energized with covers removed
- Energized from multiple sources. Before removing covers identify all sources, de-energize, lock-out, and tag-out and wait 2 minutes for circuits to discharge.
- Always use a properly rated voltage sensing device to confirm all circuits are de-energized.

Failure to follow these instructions will result in death or serious injury.

  DANGER**HAZARD OF ELECTRIC SHOCK, EXPLOSION, ARC FLASH, AND FIRE**

- Disconnect positive and negative PV conductors before servicing. PV conductors are a shock hazard and must be disconnected before servicing the installation.
- Normally GROUNDED conductors may be UNGROUNDED and ENERGIZED when a GROUND FAULT is indicated on the front panel. Must be serviced by qualified personnel.

Failure to follow these instructions will result in death or serious injury.

 WARNING**LIMITATIONS ON USE**

Do not use the charge controller with life support equipment or other medical equipment or devices.

Failure to follow these instructions can result in death, serious injury, or equipment damage.

NOTICE**LIGHTNING PROTECTION**

To protect the charge controller's insulation and conductors from damage due to a sudden over-voltage surge such as a lightning strike, install a DC-rated lightning arrester on the PV source circuits.

Failure to follow these instructions can result in equipment damage.

Battery Safety Information

DANGER

HAZARD OF ELECTRIC SHOCK, BURN, FIRE, AND EXPLOSION

Batteries contain corrosive electrolyte and can give off explosive gases. Battery circuits present a shock and energy hazard. Observe proper precautions when working with batteries and battery circuits, including:

- Always wear eye protection when working with batteries.
- Wear rubber gloves and boots when handling batteries.
- Remove all jewellery before performing electrical work.
- Install batteries in a well-ventilated area to help prevent the possible buildup of explosive gases.
- Do not dispose of batteries in a fire.
- Do not open or damage the batteries. Exposure to electrolyte is harmful to eyes and skin. It is toxic.
- Do not mix battery types.
- Do not smoke in the vicinity of a battery.
- Use insulated tools when working with batteries.
- When connecting batteries, always verify proper voltage and polarity.
- Do not short-circuit the battery.
- Always use proper lifting techniques when handling batteries.
- Determine if the battery is inadvertently grounded and if so, remove the source from ground. Contact with any part of a grounded battery can result in electrical shock. Remove these grounds during installation and maintenance.
- When using Lithium Ion batteries, ensure that the battery pack being used includes a certified Battery Management System (BMS) with safety protocols.

Failure to follow these instructions will result in death or serious injury.

For full installation instructions and safety information, see the documentation provided with the batteries. Consult the MSDS for the batteries for first aid procedures, emergency procedures, and clean-up instructions.

Further details about Lithium Ion support can be found in the document *Lithium Ion Application Note* (document number: 976-0319-01-01, available at solar.schneider-electric.com).

FCC Information to the User

This charge controller has been tested and found to comply with the limits for a Class B digital device, pursuant to part 15 of the FCC Rules and Industry Canada ICES-003. These limits are designed to provide reasonable protection against harmful interference when the charge controller is operated in a residential environment. This charge controller generates, uses, and can radiate radio frequency energy and, if not installed and used in accordance with the installation and operation guides, could cause harmful radio frequency interference with radio communications. However, there is no guarantee that interference will not occur in a particular installation. If this charge controller does cause harmful interference with radio or television reception, which can be determined by turning the charge controller off and on, try to correct the interference by one or more of the following measures:

- Reorient or relocate the receiving antenna.
- Increase the separation between the charge controller and the receiver.
- Connect the charge controller to a different circuit from that to which the receiver is connected.
- Consult the dealer or an experienced radio or TV technician for help.

CAUTION

RISK OF INJURY

Unauthorized changes or modifications to the equipment could void the user's authority to operate the equipment.

Failure to follow these instructions can result in injury or equipment damage.

Maintenance

The Conext MPPT 80 and MPPT 100 does not require scheduled maintenance. However it is required to be clear of dust and debris, especially around air intake and exhaust areas, at all times. Use a soft-bristle brush to clear the area around the air intake and exhaust.

The surface of Conext MPPT 80 and MPPT 100 can be cleaned by using a lint-free soft cloth.

NOTICE

RISK OF PHYSICAL DAMAGE

Use only a soft cloth dampened with water and mild soap to clean the inverter.

Do not use solvents or chemicals that are corrosive or flammable.

Failure to follow these instructions can result in equipment damage.

Contents

Audience	2
Purpose	3
Scope	3
Abbreviations and Acronyms	4
Related Information	5
Safety Information	6
Safety Information	7
Battery Safety Information	9
FCC Information to the User	10
Maintenance	10
Introduction	18
Features	19
Charge Controlling	20
Conext MPPT 80 600	20
Conext MPPT 100 600	20
Configurations	20
Typical Installation	20
Installation	22
Required Materials and Tools	23
Required Accessories	23
PV Array Requirements	23
Mounting	24
Choosing a Location	24
Removing the Wiring Compartment Cover	26
Removing Knockouts	26
Mounting the Charge Controller	28
PV Grounding	29
Chassis Grounding	29
Internal Ground Fault Protection	29
Wiring	31
Connector Locations	31
Wire Size and Over-current Protection Requirements	31
Connecting the Charge Controller	34
Connecting Multiple PV Array Strings to One Unit	37
Connecting Multiple Units	38
Auxiliary Output Connections	38
Network Installation	39

- Installing the Battery Temperature Sensor 42
- Commissioning 44
- Troubleshooting 50**
 - Troubleshooting 51
 - Replacing the Ground Fault Protection Fuse 53
 - Ground Faults in a Normally Ungrounded Array 53
- Specifications 56**
 - Electrical Specifications 57
 - MPPT Voltage Range 58
 - Operating Below the PV Array Voltage Full Power Range 59
 - Conext MPPT 80 600 59
 - Conext MPPT 100 600 59
 - Default Battery Charging Settings 60
 - Mechanical Specifications 61
 - Output Power Versus Ambient Temperature 62
- Accessories 63**
 - Conext System Control Panel 63
 - Conext Gateway 63
 - Conext Config Tool 63
- Regulatory Approvals 64

Figures

Figure 1 Typical Installation	21
Figure 2 Minimum Clearance Requirements	25
Figure 3 Removing the wiring compartment cover	26
Figure 4 Wiring Compartment with Lexan Barrier	26
Figure 5 Knockout dimensions	27
Figure 6 Dimensions and knockout locations	28
Figure 7 Mounting the Charge Controller	29
Figure 8 Chassis ground connector	30
Figure 9 DC Terminal Connector Locations	31
Figure 10 Typical Wiring Diagram for a Negative-Grounded System (48 V Battery Bank Shown)	36
Figure 11 Multiple unit DC wiring	38
Figure 12 Auxiliary output vent fan application	39
Figure 13 Network terminator	40
Figure 14 Network layout	41
Figure 15 Attaching the BTS to a battery terminal	43
Figure 16 Installing the BTS	44
Figure 17 MPPT Operational Window	58
Figure 18 Maximum Expected Output Current Versus Input Voltage, Conext MPPT 80 600	59
Figure 19 Maximum Expected Output Current Versus Input Voltage, Conext MPPT 100 600	59
Figure 20 Output power vs. ambient temperature, Conext MPPT 80 600	62
Figure 21 Output power vs. ambient temperature, Conext MPPT 100 600	62

Tables

Table 1 Minimum clearance requirements	25
Table 2 Troubleshooting	51
Table 3 Electrical specifications	57
Table 4 Mechanical specifications	61

1 Introduction

What's in This Chapter?

Features	19
Charge Controlling	20
Conext MPPT 80 600	20
Conext MPPT 100 600	20
Configurations	20
Typical Installation	20

Features

The Conext MPPT 80 or MPPT 100 Solar Charge Controller (charge controller) tracks the maximum power point of a PV array to deliver the maximum available current for optimum charging of batteries. The charge controller can be used with 24 VDC and 48 VDC battery systems only.

Key product features include a 600 VDC maximum input voltage, a Fast Sweep™ MPPT tracking algorithm, and built-in ground fault protection. For information on additional product features, see the *Conext MPPT 80 and MPPT 100 Owner's Guide* (document part number: 990-6214).

The high input voltage operating range allows a high-voltage and low-current PV array to be connected to the charge controller. A high-voltage PV array configuration can eliminate the need for a combiner box and associated DC circuit breakers as well as incorporate the use of smaller AWG wire for array wiring. This simplified array configuration reduces wiring costs, installation labor costs, and allows for long home-run wiring with minimal power loss.

The Fast Sweep MPPT algorithm frequently conducts a very fast sweep of the full operational array voltage window to dynamically determine the array's maximum power point. This feature optimizes the high energy harvest of the solar array, regardless of conditions such as temperature or shading.

The charge controller is equipped with built-in ground fault protection for a negative, positive, or ungrounded PV array and is compatible with all PV module manufacturers. The charge controller regulates the available power from a PV source only. It is not designed to regulate power from other types of power sources.

The charge controller can be installed with a Conext SW Inverter, Conext XW+ or Conext XW Pro Inverter/Charger, or as a stand alone battery charger. For PV rapid shutdown and arc fault detection functions, the charge controller can be installed with the MPPT Disconnect RS. To configure the charge controller, a Conext System Control Panel (SCP) or Conext Gateway is also required (see *Accessories on page 63* for product part numbers). While both the SCP and Conext Gateway provide status information and configuration capabilities, the Conext Gateway provides additional access to configuration settings through a web interface.

Charge Controlling

Conext MPPT 80 600

The Conext MPPT 80 600 charge controller regulates the PV array current at an appropriate level for 24 or 48 V batteries. It can produce up to 80 amps of charging current for both 2400 watts at 30 V or 4800 watts at 60 V.

Conext MPPT 100 600

The Conext MPPT 100 600 charge controller regulates the PV array current at an appropriate level for 24 or 48 V batteries. It can produce up to 100 amps of charging current for both 3000 watts at 30 V or 6000 watts at 60 V.

Configurations

The charge controller can be configured to use a two-stage (no float) or three-stage charging algorithm. The charging algorithm helps to ensure that the battery is optimally charged with the available amount of solar energy.

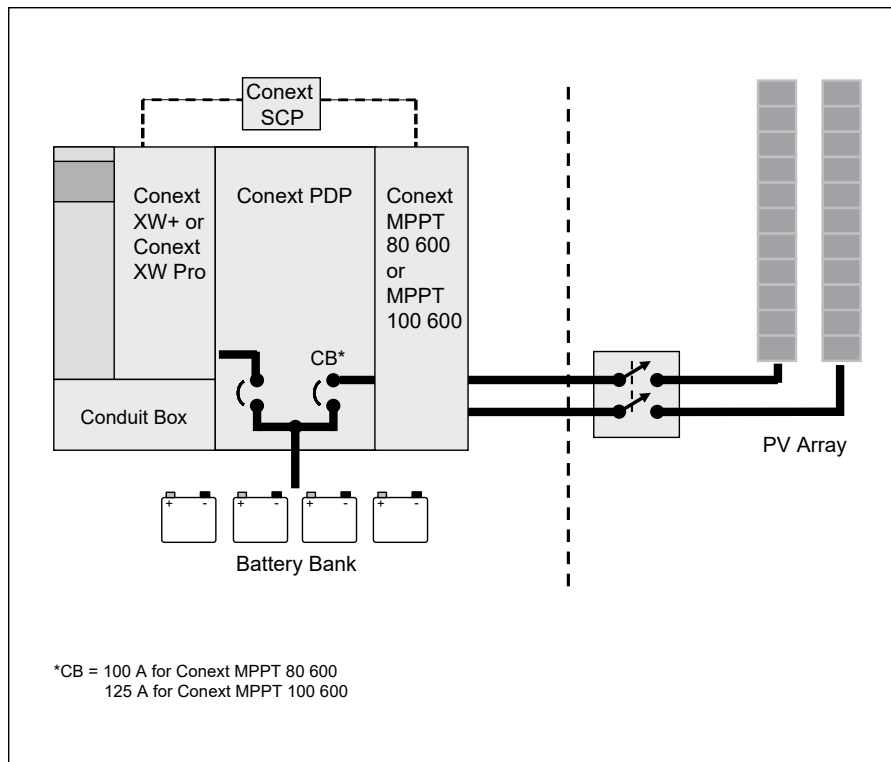
See the *Conext MPPT 80 and MPPT 100 Solar Charge Controller Owner's Guide* for more information on two-stage and three-stage charging, and the different stages.

Typical Installation

A typical Conext XW+ or Conext XW Pro Inverter/Charger installation (see *Figure 1*) with charge controller includes the following Conext devices:

- Conext XW+ or Conext XW Pro Inverter/Charger
- Conext Power Distribution Panel (PDP) or Conext Mini PDP
- Conext MPPT 80 or MPPT 100 Solar Charge Controller
- Conduit Box (CB)
- Conext SCP
- MPPT Disconnect RS (NEC 2017)

Figure 1 Typical Installation



2 Installation

What's in This Chapter?

Required Materials and Tools	23
Required Accessories	23
PV Array Requirements	23
Mounting	24
Choosing a Location	24
Removing the Wiring Compartment Cover	26
Removing Knockouts	26
Mounting the Charge Controller	28
PV Grounding	29
Chassis Grounding	29
Internal Ground Fault Protection	29
Wiring	31
Connector Locations	31
Wire Size and Over-current Protection Requirements	31
Connecting the Charge Controller	34
Connecting Multiple PV Array Strings to One Unit	37
Connecting Multiple Units	38
Auxiliary Output Connections	38
Network Installation	39
Installing the Battery Temperature Sensor	42
Commissioning	44

DANGER

HAZARD OF ELECTRIC SHOCK, EXPLOSION, ARC FLASH, AND FIRE

Installation of this equipment should only be planned and performed by qualified personnel in accordance with all applicable installation codes. See "*Audience*" on page 2 for the definition of qualified personnel.

Failure to follow these instructions will result in death or serious injury.

WARNING

HAZARD OF ELECTRIC SHOCK, BURNS, FIRE, AND EXPLOSION

Follow all instructions and electrical, physical, and environmental installation specifications in this Guide.

Failure to follow these instructions can result in death, serious injury, or equipment damage.

Required Materials and Tools

The following materials are shipped with the charge controller:

- One Conext MPPT 80 or MPPT 100 Solar Charge Controller
- One Conext MPPT 80 and MPPT 100 Solar Charge Controller Installation Guide
- One Conext MPPT 80 and MPPT 100 Solar Charge Controller Owner's Guide
- One Factory Test Certificate
- One Battery Temperature Sensor (BTS)
- One fuse: 1 A 600 VAC/DC
- One network terminator

The following tools are required for installation:

- Phillips head screwdriver
- Wire cutters and wire strippers

Required Accessories

A Conext System Control Panel (SCP) is required for installation of the charge controller.

However, in place of the SCP, a Conext Gateway can be used if you would like to configure and monitor the charge controller through a web-interface on a PC or laptop.

For more information about accessories, see *Specifications* on page 56.

PV Array Requirements

NOTE: The following information only provides general guidelines. PV array installation is subject to installation codes and, in some areas, inspection and approval by the authority having jurisdiction. For example, installations in the United States must be compliant with NEC and, in particular, Article 690.

Each charge controller must be connected to its own PV array. Up to three PV array strings can be connected in parallel to a single charge controller. See *Connecting Multiple PV Array Strings to One Unit* on page 37.

WARNING

HAZARD OF ELECTRIC SHOCK AND FIRE

- The PV array voltage must never exceed 600 V in any condition (open circuit, cold temperature, bright sun, etc.).
- The PV array current must never exceed 35 A for Conext MPPT 80 600, or 44 A for Conext MPPT 100 600 in any condition (short circuit, hot temperature, bright sun, etc.).

Failure to follow these instructions can result in death, serious injury, or equipment damage.

Mounting

The instructions in this chapter are applicable to a typical stand-alone installation. Installation procedures will vary according to your specific application. For special applications, consult a qualified Renewable Energy System Installer or a Certified Dealer.

Choosing a Location

WARNING

HAZARD OF ELECTRIC SHOCK, BURN, FIRE, AND EXPLOSION

The charge controller must be mounted vertically and installed indoors in a dry, protected location away from flammable materials, sources of high temperature, moisture, and vibration. The location must also be sheltered from direct sunlight, dust, and wind-blown debris.

Failure to follow these instructions can result in death, serious injury, or equipment damage.

Flammable or combustible materials are defined as “any material containing wood, compressed paper, cellulose, plant fibers, plastics, liquids, or other material that will ignite and burn, whether flame-proofed or not” according to the NFPA. Flammable liquids are defined as “any liquid whose flash point does not exceed 100 °F (38 °C).” Examples of flammable liquids are gasoline, methanol, and ether.

When choosing a wall to install the charge controller, choose a wall that is not considered a flammable material such as concrete, brick, or metal.

WARNING

HAZARD OF EXPLOSION

Do not install the charge controller in a sealed compartment containing batteries.

Failure to follow these instructions can result in death, serious injury, or equipment damage.

NOTICE

CHARGE CONTROLLER DAMAGE

The charge controller can overheat if installed in a sealed, indoor enclosure. Do not install the charge controller in a sealed compartment.

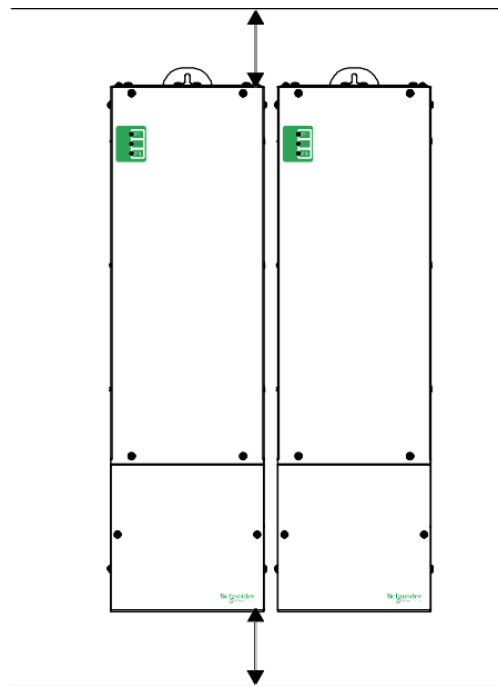
Failure to follow these instructions can result in equipment damage.

To help ensure optimal and safe operation, make sure there is adequate clearance around the charge controller. See *Table 1* and *Figure 2*. If clearances are reduced below these minimums, charging performance might be impaired.

Table 1 Minimum clearance requirements

Location	Minimum Clearance
Above and below	6 inches (150 mm). Do not mount charge controllers in a vertical stack.
In front	Sufficient room to allow for easy access to see the LEDs and to perform maintenance.
Sides	No clearance requirement. One charge controller can be mounted on the side of the Conext Power Distribution Panel (PDP) (Part Number 865-1015-01). For more information, see the Conext XW+ or Conext XW Pro Inverter/Charger Installation Guide. Other installations must follow the guidelines in this Guide.

Figure 2 Minimum Clearance Requirements



Removing the Wiring Compartment Cover

⚡ ⚠ DANGER

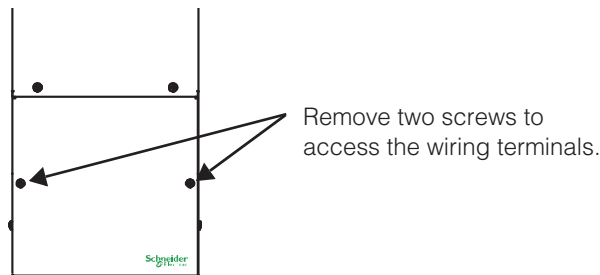
HAZARD OF ELECTRIC SHOCK, EXPLOSION, ARC FLASH, AND FIRE

Before removing the wiring compartment cover, make sure all electrical power sources have been disconnected for at least two minutes. Before energizing the charge controller, make sure the wiring compartment cover has been replaced and all fasteners are in place.

Failure to follow these instructions will result in death or serious injury.

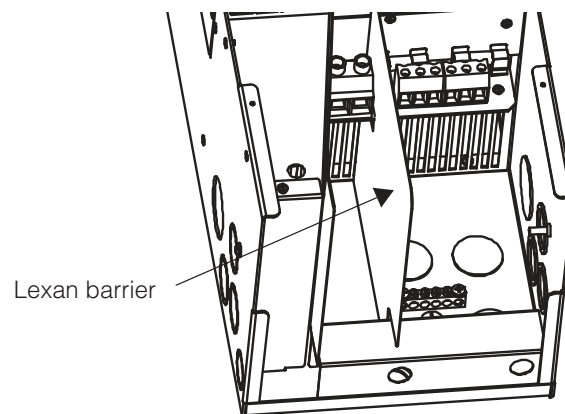
Before mounting, remove the wiring compartment cover to access the mounting holes and the wiring terminals. The wiring compartment cover is secured with two screws on the front of the charge controller (see).

Figure 3 Removing the wiring compartment cover



The wiring compartment (see *Figure 4*) contains a flexible Lexan™ barrier used to segregate low voltage battery and high voltage PV wire routing. In some instances, you must manipulate this barrier to provide a passage for the battery or PV cables which run through the wiring compartment. In this scenario, you must take care to avoid intermingling the high voltage PV and low voltage battery wires.

Figure 4 Wiring Compartment with Lexan Barrier



Removing Knockouts

Fourteen knockouts are provided for conduit or cable entry into the charge controller (see *Figure 5* and *Figure 6*):

- Three single (one on each side and one on the back) for battery wires: 1.73 in. (44.0 mm).
- Two single on the back and six dual on the sides (three on each side) for PV array wires: 1.38 in. (35.0 mm).
- Three dual (one on each side and one on the back) for routing BTS and network cables: 1.11 in. (28.2 mm).

When removing knockouts, make sure no metal shavings or fragments fall into the wiring compartment. Use bushings or conduits to help protect the wiring from damage from the rough edges around the knockout holes.

NOTICE

CHARGE CONTROLLER DAMAGE

Do not drill, cut, or punch holes in the charge controller. Use only the knockouts provided for conduit entry.

Failure to follow these instructions can result in equipment damage.

Figure 5 Knockout dimensions

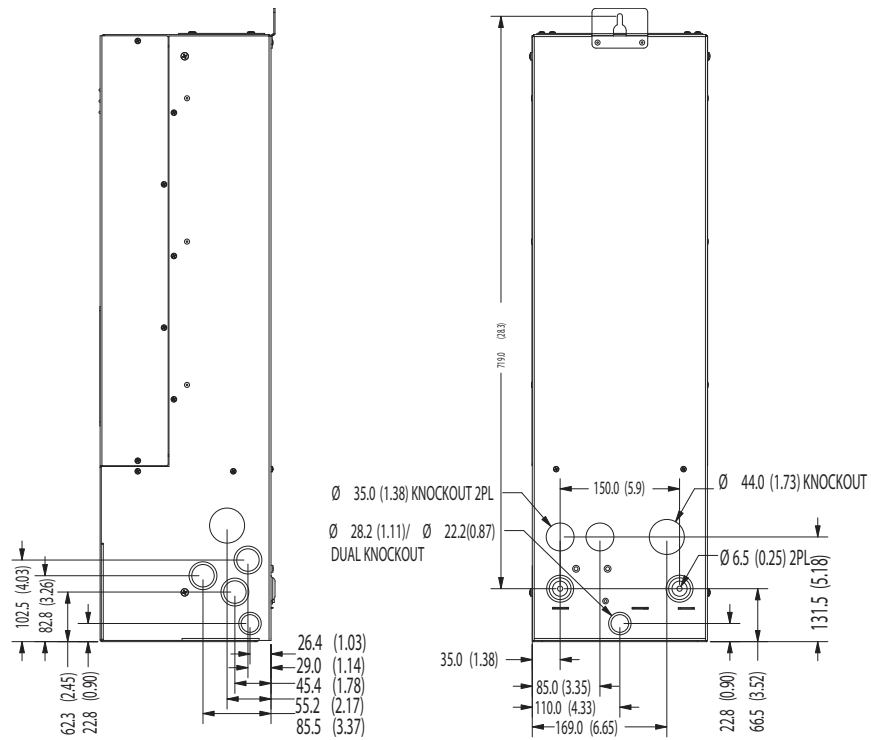
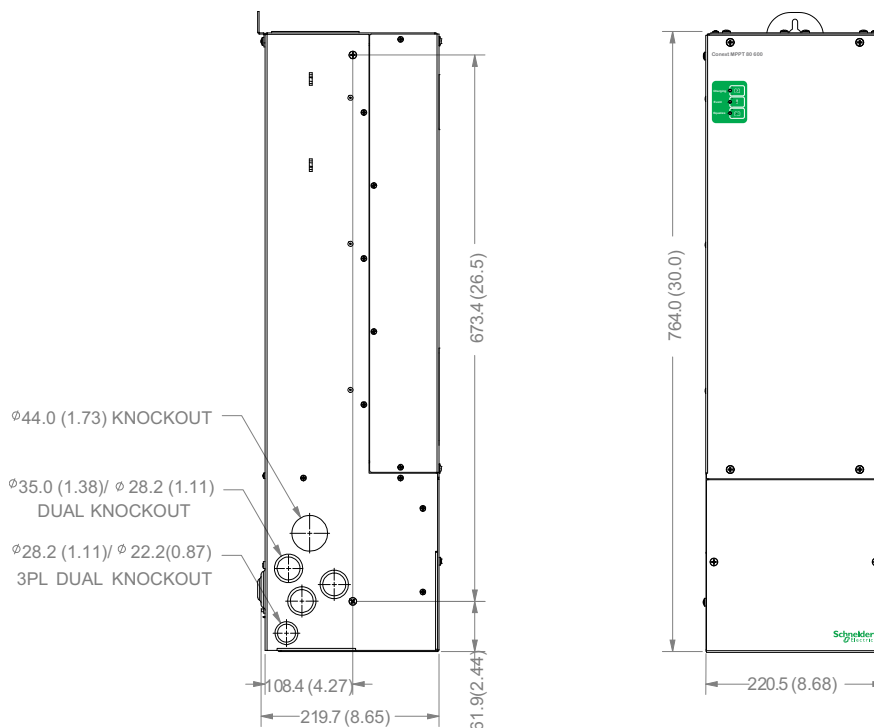


Figure 6 Dimensions and knockout locations



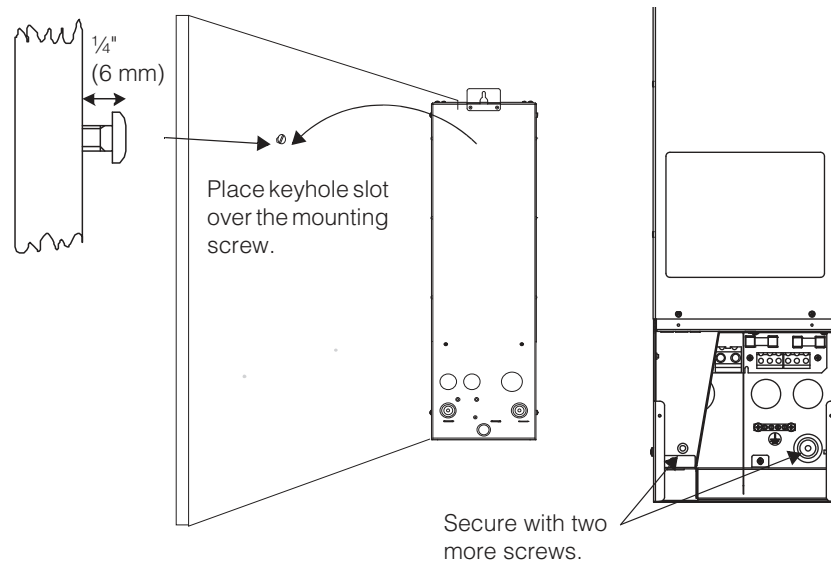
Mounting the Charge Controller

The charge controller must be vertically mounted to the wall using three ¼-inch × ½-inch (6.35 mm × 12.5 mm) pan head screws. Alternatively, it can also be mounted on the side of the PDP (the hardware is provided with the charge controller).

To mount the charge controller on the wall (see Figure 7):

1. Remove the wiring compartment cover (see Figure 3).
2. Mark the location of the keyhole slot on the wall.
3. Secure the top mounting screw in the location marked, but leave the screw head backed out approximately ¼ inch (6 mm).
4. Place the charge controller onto the screw and pull it down into the keyhole slot.
5. Insert two screws in the two mounting holes provided to secure the charge controller to the wall.

Figure 7 Mounting the Charge Controller



NOTE: When choosing a wall to install the solar charge controller, choose a wall that is not considered a flammable material such as concrete, brick, or metal.

PV Grounding

You can configure the charge controller to be compatible with either negative-grounded, positive-grounded, or ungrounded (floating) PV arrays. For information about routing the array ground connection, see *Figure 10*.

Chassis Grounding

For ground conductor requirements for your specific installation, consult your local electrical code. The recommended size of the chassis ground conductor is #8 AWG (10 mm²)¹.

Internal Ground Fault Protection

The charge controller utilizes different ground fault protection for grounded and ungrounded arrays. If the charge controller detects a ground fault, it ceases operating and indicates a fault on the charge controller's display and over the Xanbus network. The charge controller is configured at the factory for an ungrounded PV array.

¹ Based on the NEC (NFPA 70) Article 250 for 100 A maximum battery fuse.

Grounded Arrays

For grounded arrays, the charge controller has two PV ground fault protection fuse holders (rated 600 VDC, 1 A maximum) located inside the wiring compartment.

Ungrounded (Floating) Arrays

For ungrounded (floating) arrays, the charge controller detects the impedance between the array and ground, and it indicates a fault if the resistance is too low.

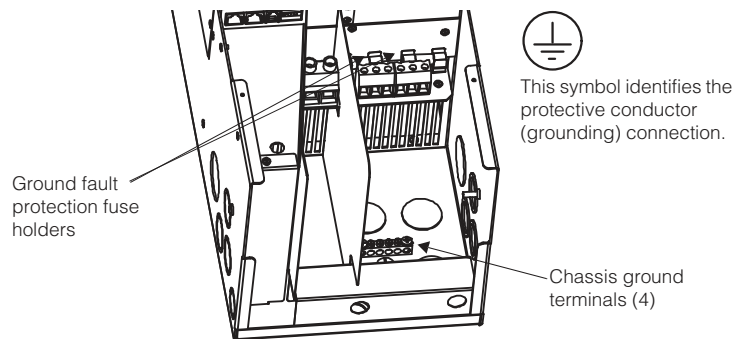
⚡ ⚠ DANGER

HAZARD OF ELECTRIC SHOCK, EXPLOSION, ARC FLASH, AND FIRE

- Do not ground either PV conductor outside of the unit.
- **Grounded arrays:** Install a fuse in the correct holder: (+) or (-). Replace the fuse with the same type and rating (Littelfuse KLKD 1 or equivalent). Fuses must be replaced by qualified service personnel only.
- **Ungrounded (floating) arrays:** Leave both fuse holders empty.

Failure to follow these instructions will result in death or serious injury.

Figure 8 Chassis ground connector



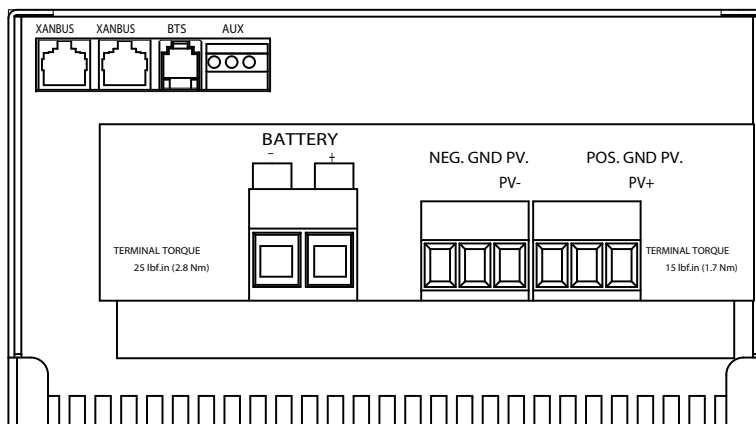
Wiring

The following sections provide information about wiring.

Connector Locations

Terminal connectors for DC wiring are located inside the wiring compartment. Labels above the DC wiring terminals identify all the connection points. See *Figure 9*.

Figure 9 DC Terminal Connector Locations



A label providing details on each connector and torque requirements for each terminal is affixed to the inside of the wiring compartment cover plate.

Wire Size and Over-current Protection Requirements

⚠️ ⚠️ WARNING

HAZARD OF ELECTRIC SHOCK, ENERGY, AND FIRE

The wiring, over-current protection devices (fuses and circuit breakers), and installation methods used must conform to all applicable code requirements. Wiring must be protected from physical damage with appropriate methods such as the use of conduit and strain relief clamps. To prevent intermingling with hazardous voltage-level wiring, the BTS, auxiliary output, and network cables must pass through a different conduit than the PV and battery cables.

Failure to follow these instructions can result in death, serious injury, or equipment damage.

PV Current Rating and Wire Gauge

The minimum wire size is determined by the specific installation, in particular, the short circuit current available from the panel array. It is important that a qualified installer determine the correct wire size for the specific installation and the local electrical codes. The wire temperature rating (for the purpose of ampacity calculation) must not exceed 75°C (167°F) in order to maintain compatibility with terminal blocks, breakers and disconnects.

Over-current Protection

WARNING

HAZARD OF ELECTRIC SHOCK, ENERGY, AND FIRE

Over-current protection must be provided, external to the unit, to protect the battery wiring. External disconnecting means must also be provided for both the PV and battery circuits. Consult applicable electrical codes to establish the correct fuse or circuit breaker ratings and for required locations of protection and disconnecting means.

Failure to follow these instructions can result in death, serious injury, or equipment damage.

Battery Circuit

The DC-rated fuse or circuit breaker between the battery and the charge controller must be rated—at minimum—100 A for Conext MPPT 80 600 and 125 A for Conext MPPT 100 600, and must not exceed the allowable over-current protection rating for the size of wire being used, in accordance with applicable electrical codes.

If a fuse is used for over-current protection, a disconnect switch must also be provided between the fuse and the source of supply (the battery). If a circuit breaker is used, it will serve both purposes of disconnection and overcurrent protection.

PV Circuit

DANGER

HAZARD OF ELECTRIC SHOCK

The PV array will produce a hazardous voltage with even a small amount of light. Appropriate measures must be taken to prevent electric shock.

Failure to follow these instructions will result in death or serious injury.

WARNING

HAZARD OF ELECTRIC SHOCK, ENERGY, AND FIRE

PV wiring must be done by qualified personnel and in accordance with local electrical codes.

Failure to follow these instructions can result in death, serious injury, or equipment damage.

A properly rated PV disconnect switch is mandatory between the PV array and the charge controller, and it must be rated for 600 VDC and have a sufficient current rating for your specific installation.

If the PV array is configured in just one or two strings, then a single 600V disconnect switch may be used. If the short circuit current rating of the solar array does not exceed 24A under Standard Test Conditions, then the switch may be rated for 30A. If a larger array is used, then a 60A switch may be required. Schneider Electric offers the following options:

- 600V 30A, Square D HU361
- 600V 60A, Square D HU362
- 600V 64A, Schneider Electric MPPT Disconnect RS (865-1036), offers two channels at 32A each. Each string must not exceed 25.6A Isc @ STC

When three or more PV array strings connected to one charge controller, each string must be fused before being combined at the PV input terminal connector inside the wiring compartment. See *Connecting Multiple PV Array Strings to One Unit on page 37* for more information.

You can use separate disconnect switches for each PV string and combine these in the charge controller, as long as the following conditions are met:

- Each PV string is fused.
- All disconnects are placed side by side, so that it is clear that all need to be thrown for a complete and visible PV disconnect.

Alternatively, the array strings may be fused, combined, and fed through a single disconnect switch.

Connecting the Charge Controller

The following procedure is illustrated in *Figure 10*.

DANGER

HAZARD OF ELECTRIC SHOCK

Whenever a PV array is exposed to light, a shock hazard exists at the output wires or exposed terminals. Open the array disconnect switch before making the connections.

Failure to follow these instructions will result in death or serious injury.

To connect the charge controller in a negative-grounded system:

1. Make sure the PV array disconnect and battery disconnect are turned off.
2. Install a cable clamp into each knockout being used.

NOTICE

REVERSE POLARITY DAMAGE

Before energizing the charge controller from either the PV array or from the battery, check the polarity of all power connections. Positive (+) must be connected to positive (+). Negative (–) must be connected to negative (–).

Failure to follow these instructions can result in equipment damage.

3. Ground the charge controller: connect a grounding conductor between a charge controller ground lug and the grounding electrode (see *Figure 10*).
4. Connect the PV array's negative (–) output to the charge controller terminal marked PV –.
5. Connect the PV array's positive (+) output to the PV array disconnect.
6. Route another positive (+) cable from the other end of the PV array disconnect to the charge controller terminal marked PV +.
7. Connect the negative (–) battery cable to the charge controller terminal marked BAT –.
8. Connect a positive (+) cable from the charge controller terminal marked BAT + to the battery disconnect.
9. Connect a second positive (+) cable from the other side of the battery disconnect to the positive (+) battery terminal.
10. Torque the charge controller's battery terminals to 25 lbf.in (2.8 Nm) and the PV terminals to 15 lbf.in (1.7 Nm). Allow some slack on the cables within the charge controller and secure the wiring with strain reliefs or cable clamps.

To connect the charge controller in a positive-grounded or floating system:

- ◆ Follow the same steps described above for a negative-grounded charge controller installation except modify the location of the PV array disconnect switch as follows:

- For positive-grounded systems, the PV array disconnect switch must be in the negative conductor.
- For floating systems, the PV array disconnect switch must be a 2-pole type disconnect, connected in both the positive and negative conductors as per applicable electrical code in the United States and Canada.

In general, the same rules apply for disconnect switches as for battery circuits: they must be located in all ungrounded conductors. Requirements vary so consult applicable codes.

NOTICE

DAMAGE FROM LIGHTNING

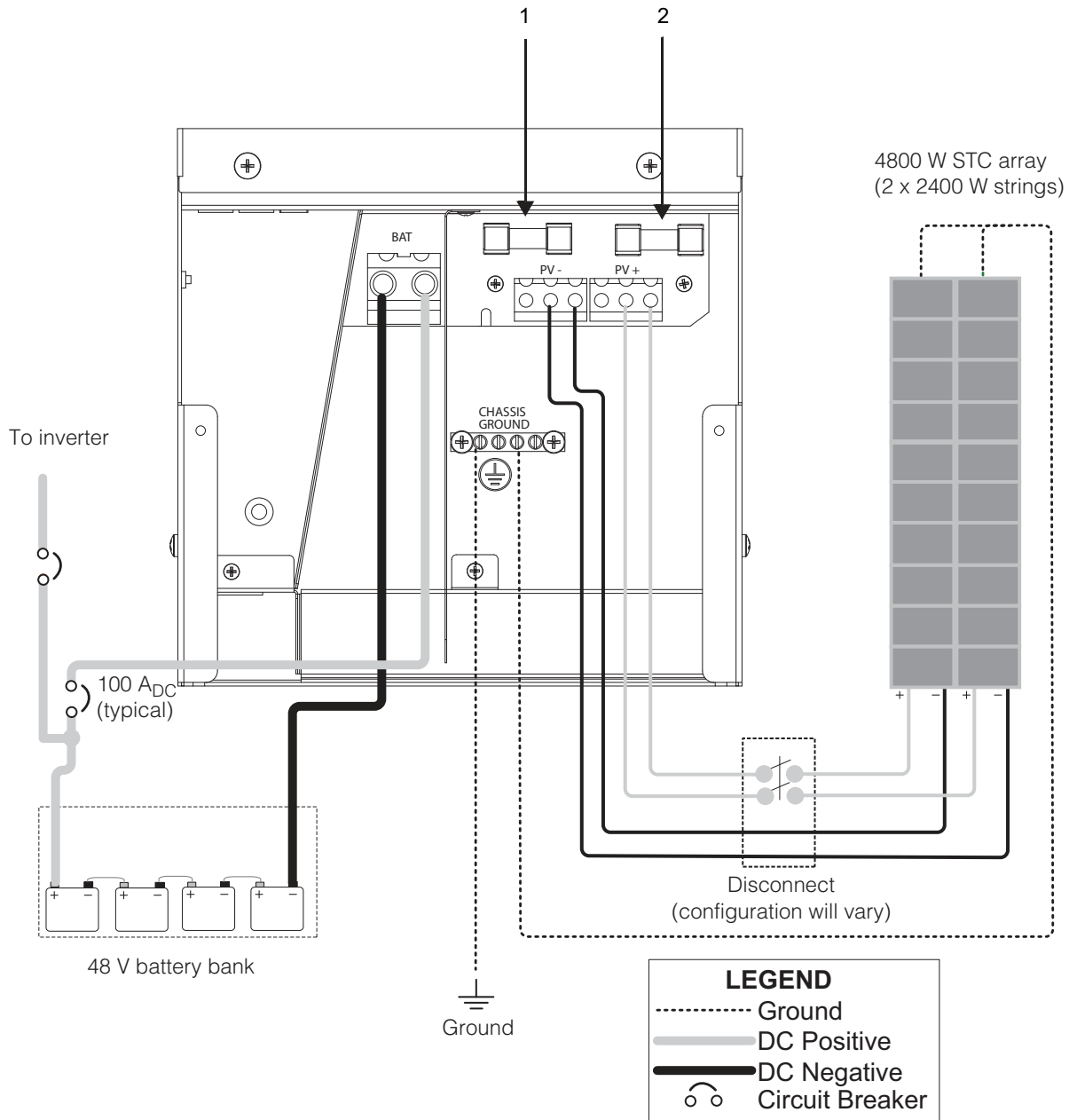
To protect the charge controller's insulation and conductors from damage due to a sudden over-voltage surge such as a lightning strike, install a DC-rated lightning arrester on the DC input line.

Failure to follow these instructions can result in equipment damage.

NOTE:

- The positive or negative of the battery can be grounded independent of the array grounding.
- Grounding and disconnect locations will vary according to system design and local electrical codes.

Figure 10 Typical Wiring Diagram for a Negative-Grounded System (48 V Battery Bank Shown)



NOTE:

- The positive or negative of the battery can be grounded independent of the array grounding.
- Grounding and disconnect locations will vary according to system design and local electrical codes.

1	For negative-grounded PV array, install fuse here.
2	For positive-grounded PV array, install fuse here.

Connecting Multiple PV Array Strings to One Unit

The charge controller has two three-pole PV connectors, allowing up to three PV array strings to be directly connected in the charge controller. These input connectors can accept #6 to #14 AWG (13.5 to 2.5 mm²) solid or stranded wire.

WARNING

HAZARD OF FIRE

- As per applicable electrical codes, fuses are required when paralleling (combining) more than two PV strings.
- Fuses must be installed in a combiner box or in a PV array disconnect switch.
- These items are not provided with the charge controller.

Failure to follow these instructions can result in death, serious injury, or equipment damage.

NOTICE

DAMAGE FROM LIGHTNING

To protect the charge controller's insulation and conductors from damage due to a sudden over-voltage surge such as a lightning strike, install a DC-rated lightning arrester on the DC input line.

Failure to follow these instructions can result in equipment damage.

Connecting Multiple Units

In a multiple-unit installation, each charge controller must be connected to one or more separate PV arrays. See *Figure 11*. For other multiple-unit installation considerations, see *Network Installation* on page 39.

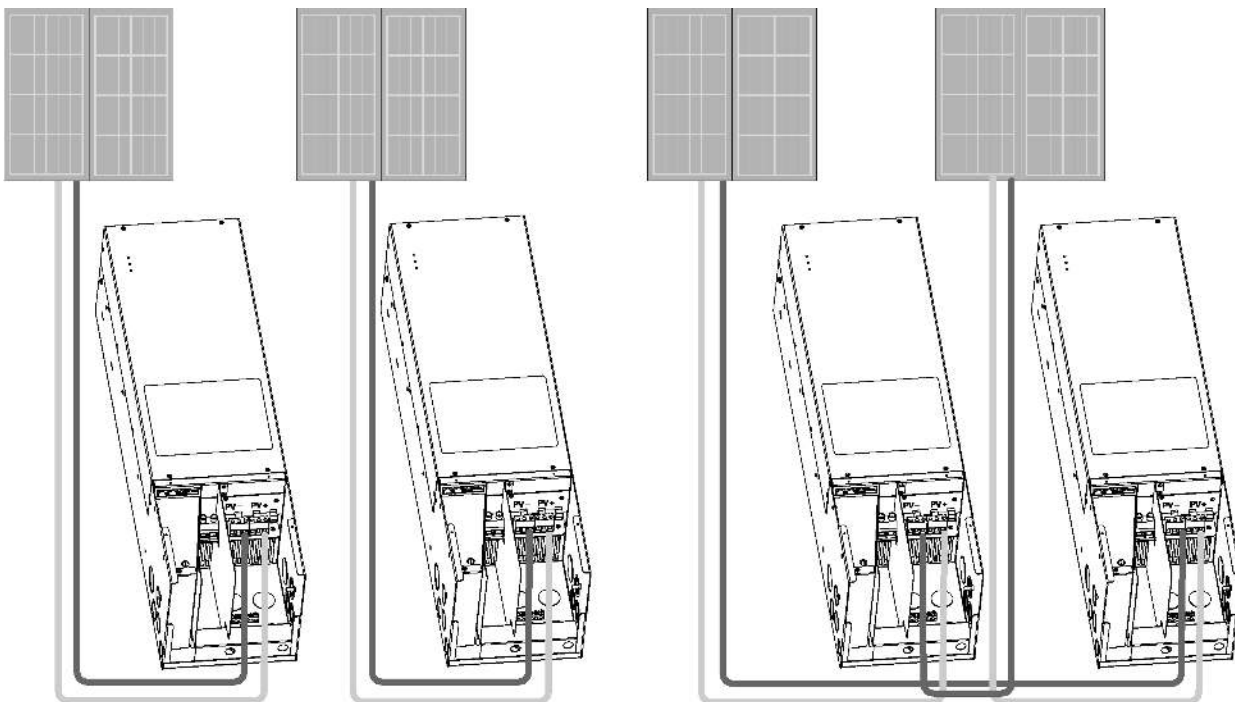
NOTICE

PV ARRAY AND CHARGE CONTROLLER DAMAGE

Make sure that each charge controller is correctly connected to its own PV array(s) and that no wires are interconnected between charge controllers.

Failure to follow these instructions can result in equipment damage.

Figure 11 Multiple unit DC wiring



Left: Correct wiring —no interconnection between systems

Right: Incorrect wiring—systems are interconnected

Auxiliary Output Connections

The auxiliary output (dry relay contacts) provides a connector which can accept wire sizes from #22 to #14 AWG (0.5 to 2.5 mm²), copper solid or stranded. As shown in *Figure 12*, the auxiliary output can control 12 VDC power to a fan to vent the battery compartment. See “Configuring the Auxiliary Output” in the *Conext MPPT 80 and MPPT 100 Solar Charge Controller Owner’s Guide*.

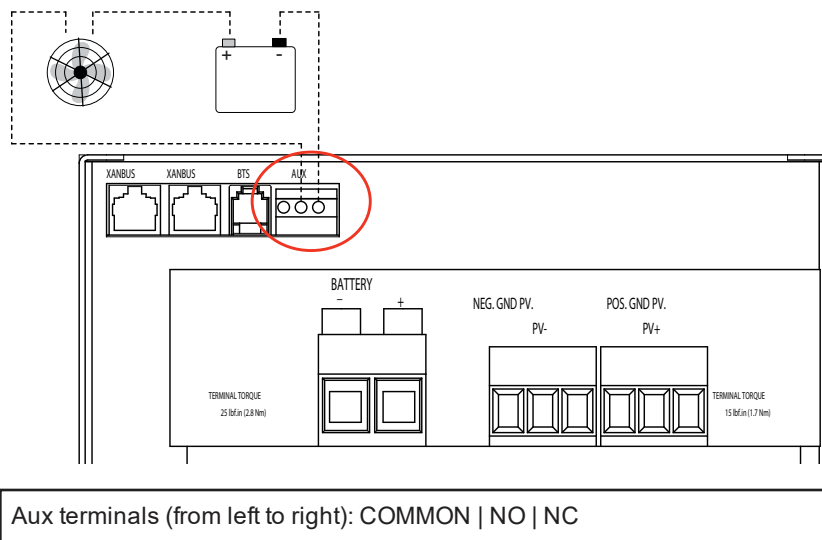
⚠ ⚠ WARNING

HAZARD OF ELECTRIC SHOCK AND FIRE

The auxiliary NO and NC dry contacts are rated up to 60 VDC and up to 8 A. Do not expose the auxiliary contacts to voltages or currents higher than this rating. Provide external over-current protection rated at 8 A maximum.

Failure to follow these instructions can result in death, serious injury, or equipment damage.

Figure 12 Auxiliary output vent fan application



Network Installation

The charge controller is a Xanbus-enabled device. Xanbus is a network communications system which allows the charge controller to communicate settings and status information to other Xanbus-enabled devices.

Xanbus connections between multiple charge controllers allow information about each charge controller and its associated PV array to be communicated among all of the charge controllers in the system. Information about the entire system can be viewed on the SCP or Conext Gateway.

For example, in a two-charge controller system, if charge controller #1 is producing 1500 W and charge controller #2 is producing 2000 W, the SCP displays a total system power of 3500 W. The accumulated amp hours and kilowatt hours produced by each charge controller for that day is also displayed. Networked charge controllers can also share battery temperature information if a single BTS is connected to a charge controller (or Conext XW+ or Conext XW Pro Inverter/Charger) in the system.

Network Components

A Xanbus network consists of the following components:

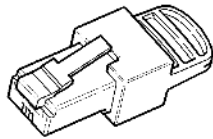
- Xanbus-enabled devices:
 - Conext MPPT 80 or MPPT 100 Solar Charge Controller
 - Conext XW+ or Conext XW Pro Inverter/Charger
 - Conext Automatic Generator Start
 - Conext System Control Panel or Conext Gateway
 - MPPT Disconnect RS
- Xanbus power supply—an embedded power supply in the charge controller provides up to 7 W of power to the Xanbus network to power one SCP and AGS, not including the auxiliary supply.

To reduce tare losses at night, you can configure the charge controller to shut off the Xanbus power supply after sunset. See “Disabling Power Supplies at Night” in the *Conext MPPT 80 and MPPT 100 Owner’s Guide* for more information.

- Network cables—each Xanbus-enabled device is connected by a standard Ethernet (CAT 5/CAT 5e) patch cable. Do not use crossover cable.
- Network terminators (see *Figure 13*)—the Xanbus network must be properly terminated at each end to help ensure communication signal quality.

Network terminators plug into network ports on Xanbus-enabled devices. The charge controller ships with one terminator. Depending on your network layout, this terminator might need to be inserted into another device elsewhere in the network. Two network terminators are required for all Xanbus network configurations.

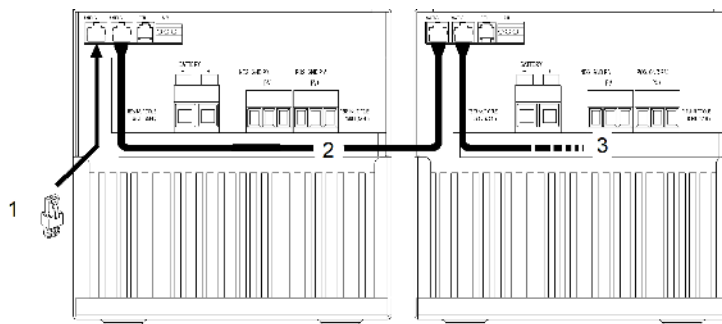
Figure 13 Network terminator



Network Layout

Xanbus-enabled devices are connected with separate lengths of cable. The devices at each end of the chain must have a terminator inserted into their open network ports, as shown in *Figure 14*. Total cable length for the Xanbus network must not exceed 131 feet (40 m).

Figure 14 Network layout



1	Network terminator
2	Charge Controller cable
3	Cable to next device

Connecting Network Cables Between Multiple Units

⚡ ⚠ WARNING

HAZARD OF ELECTRIC SHOCK

Do not route the network cables with the same conduit or panel as the PV or battery input and output cables, and make sure the network cables are not intermingled with other conductors in those systems.

Failure to follow these instructions can result in death, serious injury, or equipment damage.

Dual knockouts on the back and sides of the charge controller are provided for routing the Xanbus network cable (see Figure 5 on page 27). See Figure 9 on page 31 for the location of the charge controller’s network ports.

NOTICE

RISK OF EQUIPMENT DAMAGE

- Connect only Xanbus-enabled devices. Although the cabling and connectors used in this network system are the same as ethernet connectors, this network is not an ethernet system.
- Do not connect one end of the network to the other to make a ring or loop.

Failure to follow these instructions can result in equipment damage.

To connect network cables between multiple charge controllers:

1. Remove the wiring compartment cover from each charge controller (see *Removing the Wiring Compartment Cover* on page 26).
2. Remove a knockout from the back or either side of the unit, and then install an appropriately sized strain relief bushing for the network cable.
3. Connect the network cable to a network port in charge controller #1.
4. Route the cable to charge controller #2.

5. Connect the network cable to a network port in charge controller #2.
6. Connect another network cable to charge controller #2, and then route the cable to the next device in the network.
7. Make sure the factory-supplied network terminators are inserted into the empty network ports in the devices at the beginning and end of the network.

There should be no empty network ports in any of the charge controllers.

Installing the Battery Temperature Sensor

WARNING

RISK OF BATTERY DAMAGE

Always install and connect the Battery Temperature Sensor (BTS). See the note directly below.

Failure to follow these instructions can result in death, serious injury, or equipment damage.

NOTE: For all BTS compatible Xanbus-enabled devices in the system, at least one BTS must be separately installed for each device type associated with a battery.

If there is a group of the same devices forming a multi-unit setup, only one BTS is required per device type connected to the same battery (same DC association).

See the installation guide of each device for BTS installation instructions.

Installing a BTS is recommended for optimum charging performance and battery life. If a BTS is not installed and the batteries must operate in hot or cold conditions, manually adjust the temperature settings to suit the conditions. See “Configuring Battery Characteristics and Battery Charging” in the *Conext MPPT 80 and MPPT 100 Owner’s Guide*.

All networked Xanbus devices share battery temperature information. If there are multiple battery banks and more than one BTS is used within the system, then the highest reported temperature will be used as the battery temperature for the temperature compensation value of the battery charge algorithm.

See *Figure 9 on page 31* for the location of the BTS port. Dual knockouts on the back and sides of the charge controller are provided for routing the BTS cable (see *Figure 5 on page 27*).

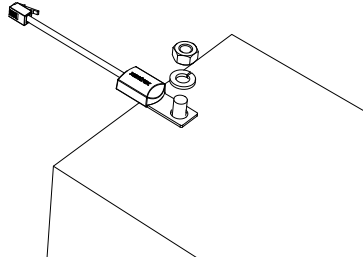
NOTE: If the sensor cable is damaged and the wires are shorted, the charge controller registers a battery over temperature fault condition. If the BTS wires have been cut, the charge controller assumes that the BTS is not connected. A replacement BTS can be ordered from the manufacturer (part number 808-0232-02).

To install the BTS:



1. Remove the charge controller’s wiring compartment cover (see *Removing the Wiring Compartment Cover on page 26*).

2. Remove a knockout from the back or either side of the charge controller, and then install an appropriately-sized strain relief bushing for the BTS cable.
3. Connect the ring terminal on the BTS directly to the negative battery terminal or positive battery terminal, or use the adhesive backing on the sensor back to attach the sensor to any side of the battery to be monitored.

Figure 15 Attaching the BTS to a battery terminal

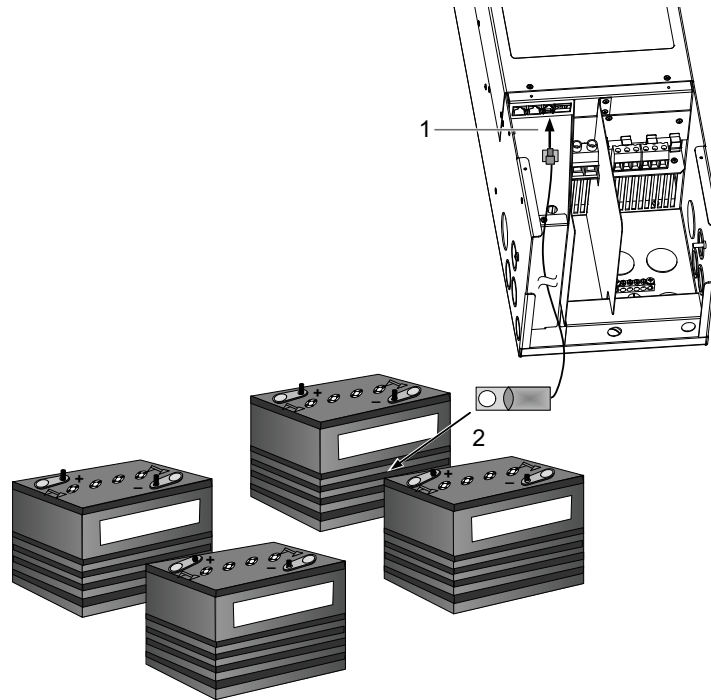


4. If connecting to the battery terminal, make sure the BTS does not prevent the power wiring from making the best possible contact with the battery terminal. If using the adhesive backing, install the BTS on the side of the battery below the electrolyte level. It is best to place the sensor between batteries and place the batteries in an insulated box to reduce the influence of the ambient temperature outside the battery enclosure.

  WARNING
<p>HAZARD OF ELECTRIC SHOCK</p> <p>The BTS cable must not pass through the same conduit used for PV wiring and battery cables.</p> <p>Failure to follow these instructions can result in death, serious injury, or equipment damage.</p>

5. Pass the other end of the BTS cable through the knockout and strain relief bushing on the charge controller, and then insert the BTS plug into the BTS RJ-11 port.

Figure 16 Installing the BTS



1	Insert the BTS plug into the charge controller's BTS port.
2	Attach the BTS to a battery terminal or to the side of a battery.

- Replace the charge controller's wiring compartment cover.

Commissioning

Conext SCP

You must use the SCP to commission the charge controller. For information about SCP navigation and menus, see the *Conext MPPT 80 and MPPT 100 Solar Charge Controller Operation Guide*.

In place of the SCP, the Conext Gateway (Part Number 865-0329) can also be used. The Conext Gateway allows you to configure and monitor the charge controller through a web interface on a PC or laptop. See the *Conext Gateway Owner's Guide (975-0806-01-xx)*.

NOTICE

INCOMPATIBLE EQUIPMENT

You must use the SCP with firmware version 1.05.00 or higher for full compatibility with the charge controller. For information on updating your firmware, contact customer service. The Conext Config Tool is required for upgrading.

Failure to follow these instructions can result in equipment damage.

Conext Config Tool

The Conext Config Tool (Part Number 865-1155) is a commissioning tool used for configuring or upgrading a Conext system.

Before you begin, make sure you have all important system information such as the nominal battery voltage, battery type, and battery bank capacity available.

To commission one or more charge controllers:

1. *Setting the Device Number on page 45*
2. *Configuring Connections and Charger Settings on page 46*
3. If commissioning multiple charge controllers: *Copying Settings to Another Charge Controller on page 47*
4. *Starting the Charge Controller on page 48*

When commissioning multiple charge controllers on the same Xanbus network, make sure to set a unique device number and the correct battery connection. The connection is important to define so that system totals and other related information are displayed accurately.

Setting the Device Number

To set a device number for the charge controller:

1. Make sure an SCP is attached to the Xanbus network.
2. Close the DC disconnect. When a charge controller is powered up, it will begin communicating with the SCP and be ready for configuration through the SCP. Do not apply PV power at this point.
3. On the SCP `System Status` home screen, press **Enter**.

The Select Device menu opens.

4. Use the arrow buttons to scroll to the charge controller to configure, and then press **Enter**. Each charge controller appears as `XW MPPT80 xx` or `XW MPPT100 xx`, where `xx` is its device number.

The Setup menu opens.

5. To display the `Advanced Settings` menu item press the **Enter**, up arrow, and down arrow buttons simultaneously.



6. Press **Enter** to select `Advanced Settings`.

The Config menu opens.

7. Scroll to `Multi Unit Config`, and then press **Enter**.

The `Multi` menu opens. The LEDs on the charge controller you are configuring will start to flash when you enter this menu, providing visual confirmation of the charge controller you are configuring.

8. Scroll to `Dev Number`, and then press **Enter**. Scroll again to set it to a number other than 00, and then press **Enter** to confirm the new device number. The device number can be set to any number between 01 and 31. If you are commissioning multiple

charge controllers, the manufacturer recommends using 01 for the first charge controller.

9. Press **Exit** until the `Select Device` menu is displayed.

The charge controller appears as `XW MPPT80 xx` or `XW MPPT100 xx` on the menu, where `xx` is the device number that you selected.

10. Repeat steps 3 through 9 if you are commissioning multiple charge controllers.

Configuring Connections and Charger Settings

WARNING

HAZARD OF FIRE AND EXPLOSION

- Battery charging settings must be configured by qualified personnel in accordance with the battery manufacturer's recommended charging instructions.
- This section covers basic default settings. See the *Conext MPPT 80 and MPPT 100 Owner's Guide* for additional configuration information and details including setting descriptions and value ranges.

Failure to follow these instructions can result in death, serious injury, or equipment damage.

To configure connections and charger settings for a charge controller:

1. On the `Select Device` menu, select `XW MPPT80 xx`, where `xx` is the device number.

The Setup menu opens.

2. Press **Enter** to select `Advanced Settings`.

The Config menu opens.

3. Scroll to `Multi Unit Config`, and then press **Enter**.

The Multi menu opens.

4. Scroll to `Connections`, and then press **Enter**.

The Conn menu opens.

5. Configure PV input (`PV In`) and DC output or the battery bank (`DC Conn`). If the system only has one battery bank, leave `DC Conn` at the default setting. The `PV In` setting allows you to differentiate which array is going to which charge controller.

This setting is used for status reporting only, not for any internal controls. Setting `PV In` to a non-default value is optional.

6. Press **Exit** until the `Config` menu is displayed.

7. Scroll to `Charger Settings`, and then press **Enter**.

The `Chgr` menu opens.

8. Set the battery type (`Batt Type`), battery capacity (`Batt Capacity`), and any other charger settings required for your system. If you select `Custom` for the battery

type, you can further configure bulk, absorption, float, and other settings for the charge cycle in the `Custom Settings` menu that appears.

9. While in the `Chgr` menu, make sure the nominal battery voltage (`Batt Voltage`) is set correctly. The default value is 48 V. If your system is a 24 V battery system, then change it to 24 V.
10. Press **Exit** until the `Select Device` menu is displayed.

Copying Settings to Another Charge Controller

WARNING

HAZARD OF FIRE AND EXPLOSION

- Do not copy settings from one charge controller to another unless the battery banks are identical: same size, type, and so on.
- See the *Conext MPPT 80 and MPPT 100 Owner's Guide* for additional configuration information and details including setting descriptions and value ranges.

Failure to follow these instructions can result in death, serious injury, or equipment damage.

Settings that are copied from one charge controller to another are:

- `Batt Type`
- `Batt Capacity`
- `Max Chg Rate`
- `Charge Cycle`
- `ReCharge Volts`
- `Absorb Time`
- `Default Batt Temp`
- `Batt Voltage`
- `DC Conn`
- **Custom battery settings (if `Custom` battery type selected) including `Eqlz Support`, `Eqlz Voltage`, `Bulk Voltage`, `Absorb Voltage`, `Float Voltage`, and `BattTempComp`.**

If you are commissioning multiple charge controllers, follow these steps to copy the settings from the configured charge controller to the other charge controllers:

1. On the `Select Device` menu, select the next charge controller for configuration.
The `Setup` menu opens.
2. Press **Enter** to select `Advanced Settings`.
The `Config` menu opens.
3. Scroll to `Copy from`, and then press **Enter** to select the charge controller from

which you want to copy. Scroll to select the charge controller with the device number that matches the first charge controller you configured, and then press **Enter** again.

The settings are automatically copied from the selected charge controller.

NOTE: The `Copy from` command will not give you any indication that it has completed its task. To check that the charger settings have been copied properly, view some of the settings you originally configured.

4. Repeat steps 1 to 3 for the remaining charge controllers.
5. After you have finished configuring, press the **Enter**, up arrow, and down arrow buttons simultaneously to hide the `Advanced Settings` menu item.

Starting the Charge Controller

To start the charge controller:

1. Turn on the charge controller battery breaker.
2. Close the PV array disconnect switch.

If the PV array voltage exceeds the minimum start voltage, the charge controller begins charging and the On/Charging LED starts flashing.

If the PV array voltage is not above the start voltage, the charge controller is powered but not charging. The On/Charging LED stays solid green.

Shutting off the Charge Controller

To shut off the charge controller:


1. Open the PV array disconnect switch.
2. Turn off the charge controller battery breaker.

3 Troubleshooting

What's in This Chapter?

Troubleshooting	51
Replacing the Ground Fault Protection Fuse	53
Ground Faults in a Normally Ungrounded Array	53

Troubleshooting

 **DANGER**

HAZARD OF ELECTRIC SHOCK, EXPLOSION, ARC FLASH, AND FIRE

This chapter includes tasks that must be performed only by qualified personnel equipped with appropriate personal protective equipment and following safe electrical work practices. Review the *Safety Information on page 7* before proceeding.

Failure to follow these instructions will result in death or serious injury.


Table 2 Troubleshooting

Issue	Possible Cause	Solution
Uneven output current between multiple charge controllers.	A. PV arrays are supplying different amounts of current to each charge controller. B. Charging set points are not all set the same. C. Excess voltage drop in wiring is causing charge controllers to measure the battery voltage differently and regulate accordingly. D. Charge controllers are in constant voltage (absorption) mode and therefore are limiting their output current to maintain the present battery voltage. In this situation, some charge controllers will produce more output current than others.	A. Check array output, but consider that this could be a normal operating condition if the arrays are located in different locations or point in different directions. B. Set charge controllers to the same settings. C. Check wiring. Upgrading or shortening the wire run might be required. D. No need to intervene as this is a normal operating condition.
The SCP LCD shows a ground fault and the charge controller has stopped operating.	A ground fault has caused the ground fault protection fuse to blow, or a normally ungrounded array contains a ground fault.	See <i>Replacing the Ground Fault Protection Fuse on page 53</i> or <i>Ground Faults in a Normally Ungrounded Array on page 53</i> .
The charge controller's Error/ Warning (red) LED is on or flashing.	An active fault, error, or warning is present on the charge controller.	See "Viewing Active Faults, Errors, and Warnings" in the <i>Conext MPPT 80 and MPPT 100 Owner's Guide</i> to determine which alarm is active on the charge controller. The tables in this section provide detailed information on why various alarms could be occurring on the charge controller.
The charge controller's Error/ Warning (red) LED is on, and the SCP indicates a ground fault (F56) for the charge controller.	A ground fault has caused the ground fault protection fuse to blow, or a normally ungrounded array contains a ground fault.	See <i>Replacing the Ground Fault Protection Fuse on page 53</i> or <i>Ground Faults in a Normally Ungrounded Array on page 53</i> .

<p>The charge controller's Error/ Warning (red) LED is on, and the SCP indicates an output under voltage error (F11) for the charge controller.</p>	<p>A. The default configuration for the charge controller is a 48 V battery bank, and you have installed the charge controller on a 24 V battery bank.</p> <p>B. The batteries are dead or undercharged.</p>	<p>A. Use the SCP to configure the charge controller for 24 V operation. See "Configuring Battery Characteristics and Battery Charging" in the <i>Conext MPPT 80 and MPPT 100 Owner's Guide</i> for more information.</p> <p>B. Check the battery voltage to see if the batteries are within operating specifications. If necessary, replace them with new batteries, or use a device capable of performing dead battery charging.</p>
<p>The charge controller does not show up on the SCP or it drops off the network periodically.</p>	<p>A. Network terminators have not been installed at both ends of the Xanbus network.</p> <p>B. The total network length exceeds the maximum length specification.</p>	<p>A. Install a terminator at each far end of the network. See <i>Network Components on page 39</i> for more information.</p> <p>B. See <i>Network Layout on page 40</i> for specifications.</p>
<p>The charge controller does not produce any power.</p>	<p>A. No PV input voltage.</p> <p>B. PV input voltage is not within operating range.</p>	<p>A. Change the PV disconnect switch from the off position to the on position.</p> <p>B. Make sure that the PV panels are configured to provide voltages within the charge controller's operating voltage window.</p>
<p>The system is very slow to respond, does not update data, takes a long time to start unit when applying PV voltage.</p>	<p>Low Power (Night) mode is selected and PV voltage at the unit is low (below 195V) or disconnected. In this case the unit wakes up to check PV voltage and transmit data on Xanbus once every 2 minutes and goes back to sleep if the PV voltage is still low.</p>	<p>Low power mode is enabled by default from the factory. This mode can be disabled under Advanced Features on the SCP. When disabled, the unit will remain awake and responsive as long as battery voltage is present. Note that this increases power consumption at night.</p>
<p>All of the charge controller's LEDs are off and the charge controller does not show up on the SCP.</p>	<p>A. No battery connection to the charge controller.</p> <p>B. The charge controller is wired incorrectly.</p> <p>C. Charge controller is not operational.</p>	<p>A. Change the battery disconnect from the off position to the on position.</p> <p>B. Check all connections and correct the wiring if voltage is not present on the charge controller's battery terminals.</p> <p>C. If you have verified there is at least 20 V present on the charge controller's battery terminals yet the On/Charging (green) LED remains off, contact customer service.</p>

<p>The charge controller's On/Charging (green) LED is flashing.</p>	<p>The charge controller is outputting charge current.</p>	<p>No problem. This is intended operation. See "Viewing Status Information on the Solar Charge Controller" in the <i>Conext MPPT 80 and MPPT 100 Owner's Guide</i> for LED status information.</p>
---	--	--

Replacing the Ground Fault Protection Fuse

 **DANGER**

HAZARD OF ELECTRIC SHOCK

If a ground fault is indicated, normally grounded PV conductors could be ungrounded and energized. Before working on any portion of the array or wiring, make sure that portion of the array is de-energized by blanketing, use of disconnects, or other safe working procedures and by testing for voltage before beginning work.


Failure to follow these instructions will result in death or serious injury.

The ground fault protection fuse blows when a significant leakage current flows between the PV array and earth ground or when the system has been installed with deficient wiring. Before replacing the fuse, it is important to have qualified service personnel, such as a certified electrician or technician, determine the cause of the ground fault and effect repair.

To replace the ground fault protection fuse:

1. Make sure the PV and battery disconnect switches are open and the charge controller is de-energized.
2. Remove the wiring compartment cover, as described in *Wiring on page 31*. The ground fault protection fuse is located behind the wiring terminals.
3. Remove the blown fuse and replace it with a new AC/DC midget cartridge, DC-rated 600 VDC, 1 A (Littelfuse® KLKD 1 or equivalent). Be careful not to damage the fuse clips, circuit board, and surrounding components.
4. Replace the wiring compartment cover.
5. Clear the fault and reset the system by removing and then reapplying both PV and battery power.

Ground Faults in a Normally Ungrounded Array

 **DANGER**

HAZARD OF ELECTRIC SHOCK

If a ground fault is indicated, normally grounded PV conductors could be ungrounded and energized. Before working on any portion of the array or wiring, make sure that portion of the array is de-energized by blanketing, use of disconnects, or other safe working procedures and by testing for voltage before beginning work.

Failure to follow these instructions will result in death or serious injury.

On a normally ungrounded (floating) array, the ground fault protection system indicates a fault when a short circuit or lower than normal resistance exists between the array and ground. Before resetting the fault and attempting to restart the system, it is important to have qualified service personnel, such as a certified electrician or technician, determine the cause of the ground fault and effect repair.

To mitigate a ground fault in a normally ungrounded array:

1. Verify that the PV and battery disconnect switches are open and the charge controller is de-energized.
2. Search or troubleshoot for a ground fault on the PV array (for example, a broken PV panel or pinched PV wire).
3. Clear the fault and reset the system by removing and then reapplying both PV and battery power.

A Specifications

What's in This Chapter?

Electrical Specifications	57
MPPT Voltage Range	58
Operating Below the PV Array Voltage Full Power Range	59
Conext MPPT 80 600	59
Conext MPPT 100 600	59
Default Battery Charging Settings	60
Mechanical Specifications	61
Output Power Versus Ambient Temperature	62
Accessories	63
Conext System Control Panel	63
Conext Gateway	63
Conext Config Tool	63
Regulatory Approvals	64

Electrical Specifications

Note: All specifications are subject to change without notice.

Table 3 Electrical specifications

Specification	Conext MPPT 80 600	Conext MPPT 100 600
Maximum PV Array Open Circuit Voltage	600 VDC	
PV Array Voltage Operating Range	195 to 550 VDC	
PV Array Voltage Full Power Range ¹	230 to 550 VDC	
Maximum Power Point Tracking Range	195 to 510 VDC	
PV Input Start Voltage	230 VDC ²	
Maximum Operating Current	23 A	29 A
Maximum Permissible Array Short Circuit Current at STC	28 A	35 A
Nominal Battery Voltages	24 and 48 VDC (Default is 48 V)	
Battery Voltage Operating Range	16 to 67 VDC	
Maximum Charging Current	80 A	100 A
Maximum Charging Power (at 30 V, nominal 24 V battery bank)	2400 W	3000 W
(at 60 V, nominal 48 V battery bank)	4800 W	6000 W
Maximum Power Conversion Efficiency (nominal 24 V battery bank)	92%	
(nominal 48 V battery bank)	95%	
Auxiliary Output	Dry contact switching up to 60 VDC, 30 VAC, 8 A	
Charger Regulation Method	Three stage (bulk, absorption, float) Two stage (bulk, absorption) Manual equalization	
Tare Losses ³	Less than 1.0 W (Xanbus power supply on) Less than 0.5 W (Xanbus power supply off)	

¹ Full power output below 230 V is not assured. See *Operating Below the PV Array Voltage Full Power Range* on page 59 for more information.

² Charging does not begin until input voltage exceeds 230 V. Once charging has started, it will continue until the input voltage falls below 195 V.

³ These values are based on the following specifications: a) The battery voltage is 48 V, and b) "Lo Pwr at Night" enabled. See "Reducing Tare Loss" in the Conext MPPT 80 and MPPT 100 Owner's Guide for more information.

Note:

- PV array voltages often exceed STC voltage specifications, especially when the array is cold. At cold temperatures the open circuit voltage will be higher than at STC or MPPT operating points. Refer to data provided by the maker of the PV panels and ensure the maximum voltage can never exceed the limits in the table above.
- PV array current might exceed STC current specifications, especially under intense sunlight, certain atmospheric conditions, or from reflections (i.e. water, snow, or ice). Some electrical codes (eg. the NEC) consider the worst case current to be 25% higher than the short circuit current at STC. For selection of wire and some components (breakers, fuses) a further 25% derating is applied.

MPPT Voltage Range

The charge controller’s Maximum Power Point Tracking (MPPT) algorithm maximizes the output energy of PV arrays as long as the operating voltage is within the MPPT operational window. The MPPT operational window is shown below.

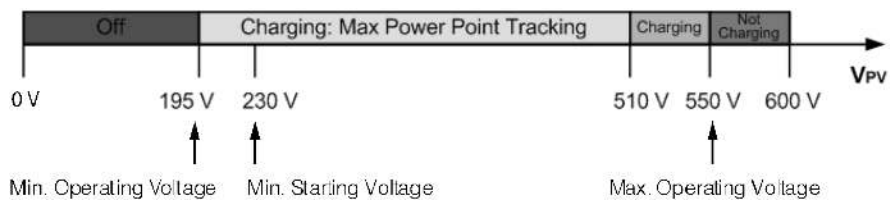
NOTICE

EQUIPMENT DAMAGE

Make sure that the PV arrays have been designed to always operate within the MPPT operational window (0 to 600 V).

Failure to follow these instructions can result in equipment damage.

Figure 17 MPPT Operational Window

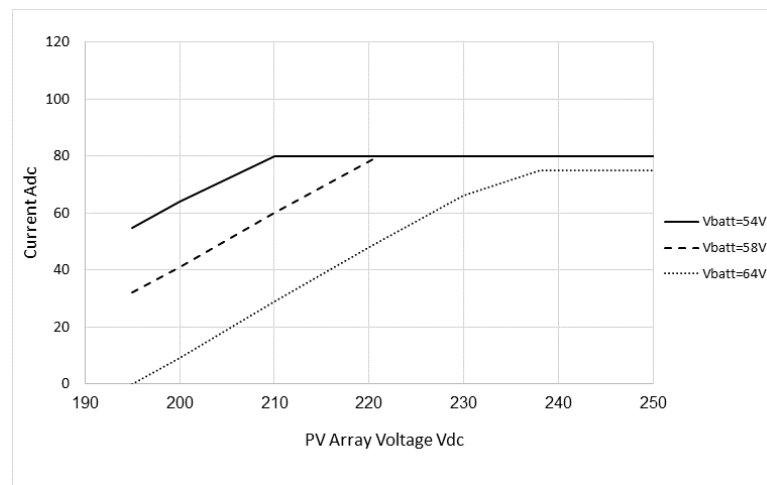


Operating Below the PV Array Voltage Full Power Range

When the charge controller is used on a 48 V battery bank and a PV array where the MPP is below 230 V, full output power is not assured. The figures below show the maximum output current and maximum output power that can be produced when the charge controller is operating below 230 V. The actual amount of current and power that your charge controller can produce below 230 V will depend on the actual battery voltage and the amount of solar power available from your panels. Full output current is available on 24 V battery systems across the entire input voltage operating range. For output voltage > 60 V, the maximum output current will be constrained to the power limit of 6000 W.

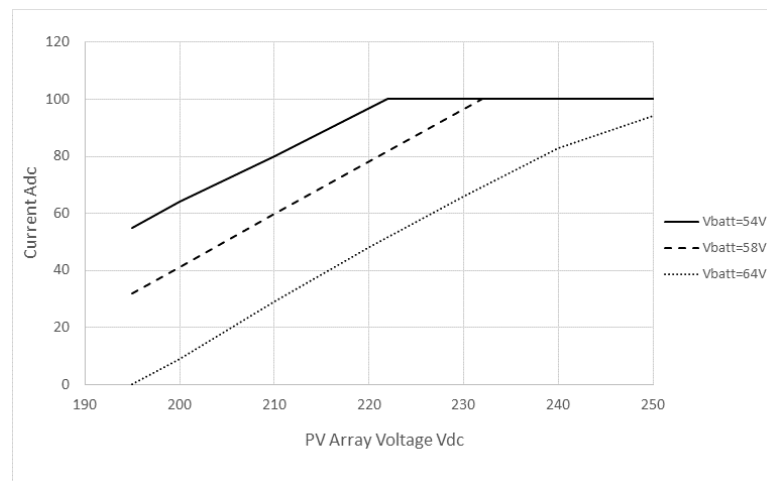
Conext MPPT 80 600

Figure 18 Maximum Expected Output Current Versus Input Voltage, Conext MPPT 80 600



Conext MPPT 100 600

Figure 19 Maximum Expected Output Current Versus Input Voltage, Conext MPPT 100 600



Default Battery Charging Settings

All settings in the following table are based on a 48 V nominal battery bank at 25°C (77°F). For a 24 V nominal battery bank, divide the voltage values in this table by two.

Setting	Battery Type		
	Flooded ¹	Gel	AGM
Equalize Voltage	64.0 V	n/a	n/a
ReCharge Voltage	50.0 V	50.0 V	50.0 V
Bulk Voltage	57.6 V	56.8 V	57.2 V
Absorption Voltage	57.6 V	56.8 V	57.2 V
Float Voltage	54.0 V	55.2 V	53.6 V
Absorption Time	180 min	180 min	180 min
Batt Temp Comp	-108 mV/C	-108 mV/C	-84 mV/C

¹ When **Custom** is selected for the battery type, the default settings are based on the flooded battery type.

Mechanical Specifications

Table 4 Mechanical specifications

Enclosure Type	IP20, indoor, ventilated, aluminum sheet metal chassis with 7/8" and 1" (22.22 mm and 27.76 mm) knockouts and aluminum heat sink
Maximum and Minimum Wire Size in Conduit	#6 AWG to #14 AWG (13.5 to 2.5 mm ²)
Maximum and Minimum Wire Size Rating of PV Terminal Block	#6 AWG to #14 AWG (13.5 to 2.5 mm ²)
Maximum and Minimum Wire Size Rating of Battery Terminal Block	#2 AWG to #14 AWG (35 to 2.5 mm ²)
Wire Size Rating of Auxiliary Output Connector	#16 AWG (1.5 mm ²)
Operating Temperature Range	-20 to +65°C (-4 to 149°F) (derate above 40°C, see <i>Figure 20</i>)
Storage Temperature	-40 to +85°C (-40 to 185°F)
Pollution degree	2
Over voltage category	CAT II
Altitude Limit (operating)	Sea level to 6,500 feet (approximately 2000 m) recommended
Unit Dimensions (H × W × D)	30 × 8 5/8 × 8 5/8" (760 × 220 × 220 mm)
Mounting	Vertical wall mount
Weight (charge controller only)	29.8 lb (13.5 kg)
Weight (shipping)	45 lb (20.4 kg)

Output Power Versus Ambient Temperature

Once the charge controller's heat sink reaches maximum full-power operating temperature, the charge controller reduces its power output to ensure component ratings are not exceeded.

Figure 20 Output power vs. ambient temperature, Conext MPPT 80 600

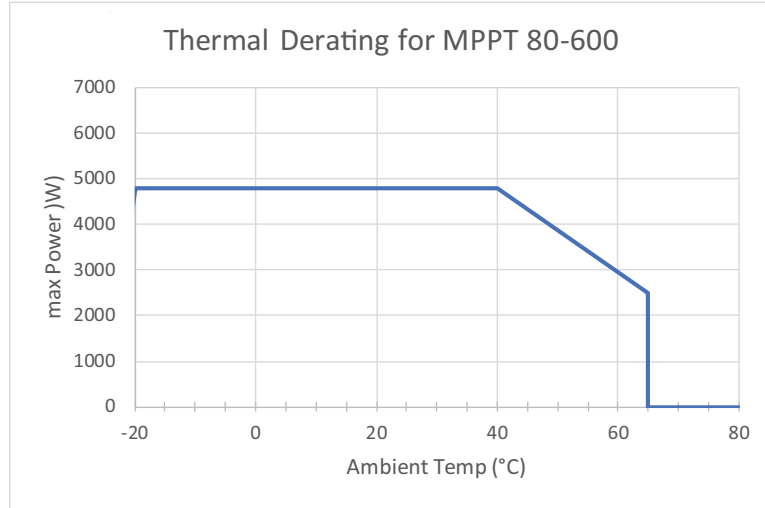
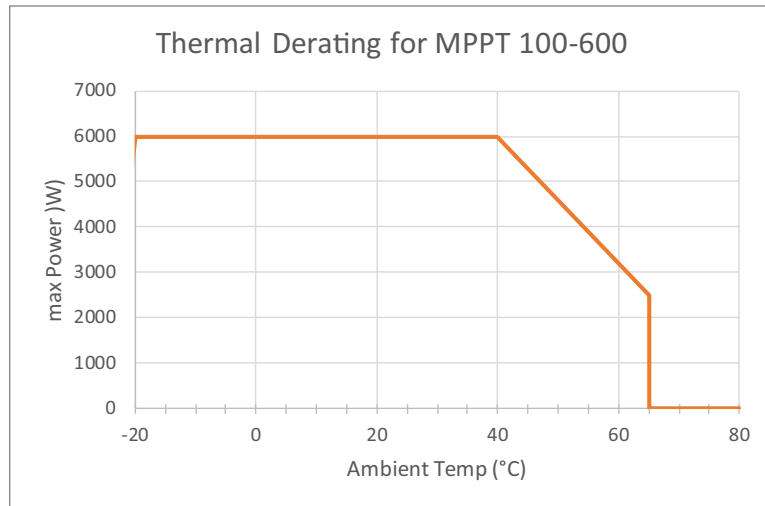


Figure 21 Output power vs. ambient temperature, Conext MPPT 100 600



Accessories

Conext System Control Panel

The Conext System Control Panel (SCP) (Part Number 865-1050) is required for installation of the charge controller and is strongly recommended for ongoing operation.

As the primary interface to the charge controller, the SCP is used for setup and configuration. Once installation is complete, you can use the SCP for monitoring and fault reporting. Only one SCP is required to monitor multiple charge controllers.

Note: You must use the SCP with firmware version 1.05.00 or higher for full compatibility with the charge controller. For information on updating your firmware, contact customer service. The Conext Config Tool or Conext Gateway is required for upgrading.

Conext Gateway

In place of the SCP, the Conext Gateway (Part Number 865-0329) can also be used. The Conext Gateway allows you to configure and monitor the charge controller through a web interface on a PC or laptop. See the *Conext Gateway Owner's Guide (975-0806-01-xx)*.

Conext Config Tool

The Conext Config Tool (Part Number 865-1155) is a commissioning tool used for configuring or upgrading a Conext system.

Regulatory Approvals

Certified to UL 1741 and to CSA 107.1 and carries the c(CSA)us mark. EMC - North America:

- FCC Part-15 sub part B, Class B, emission limits
- Industry Canada ICES-003, Class B, emission limits

CE Marked and complies with the following:

Low Voltage Directive 2014/35/EU, per:

- EN/IEC 62109-1: safety of power converters used in photovoltaic systems

EMC Directive 2014/30/EU, per:

- EN61000-6-3 Emission standard for residential, commercial, and light- industrial environments
- EN61000-6-1 Immunity for residential, commercial, and light-industrial environments

Australia:

- RCM mark

Schneider Electric

As standards, specifications, and designs change from time to time, please ask for confirmation of the information given in this publication.

For other country details please contact your local Schneider Electric Sales Representative or visit the Schneider Electric Solar Business website at: <http://solar.schneider-electric.com/>

© 2019 Schneider Electric. All Rights Reserved.

Barcode

