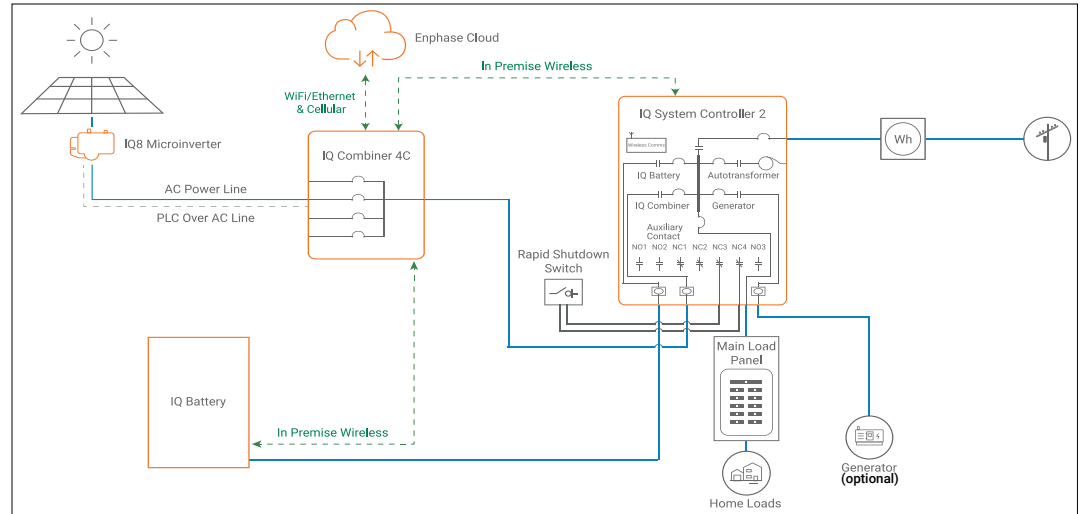


Install the Enphase IQ System Controller 2

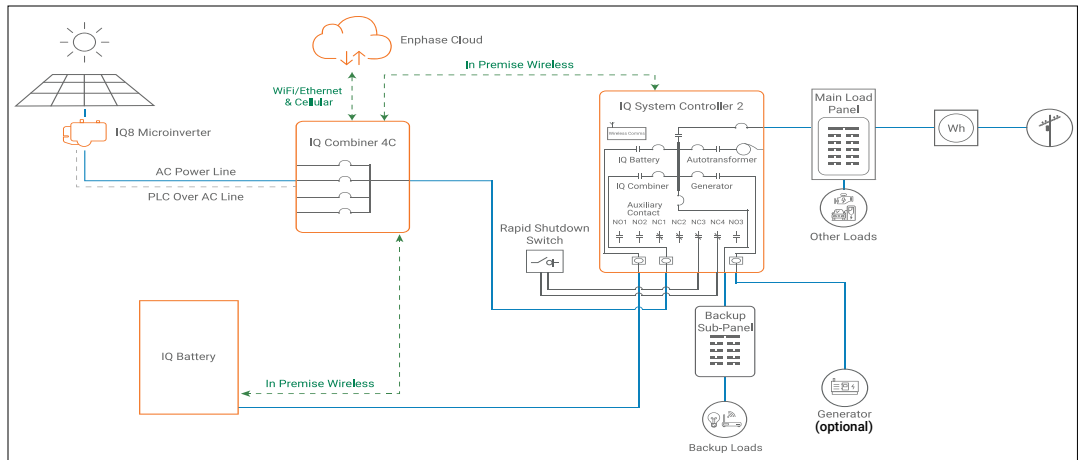
To install the Enphase IQ System Controller 2 and the Enphase IQ System Controller 2 wall-mount bracket, read and follow all warnings and instructions in this guide and in the *Enphase IQ System Controller 2 Installation and Operation Manual* at enphase.com/support. Safety warnings are listed on the back of this guide. These instructions are not meant to be a complete explanation of how to design and install an energy storage system. All installations must comply with national and local electrical codes and standards. **Only qualified electricians shall install, troubleshoot, or replace the IQ System Controller 2.**

The Enphase Energy System includes the Enphase IQ System Controller 2 with Microgrid Interconnection Device (MID) capability, which consolidates interconnection equipment into a single enclosure and streamlines grid-independent capabilities of PV and storage installations by providing a consistent, pre-wired solution for residential applications. Along with MID functions, it includes PV, storage, and generator input circuits.

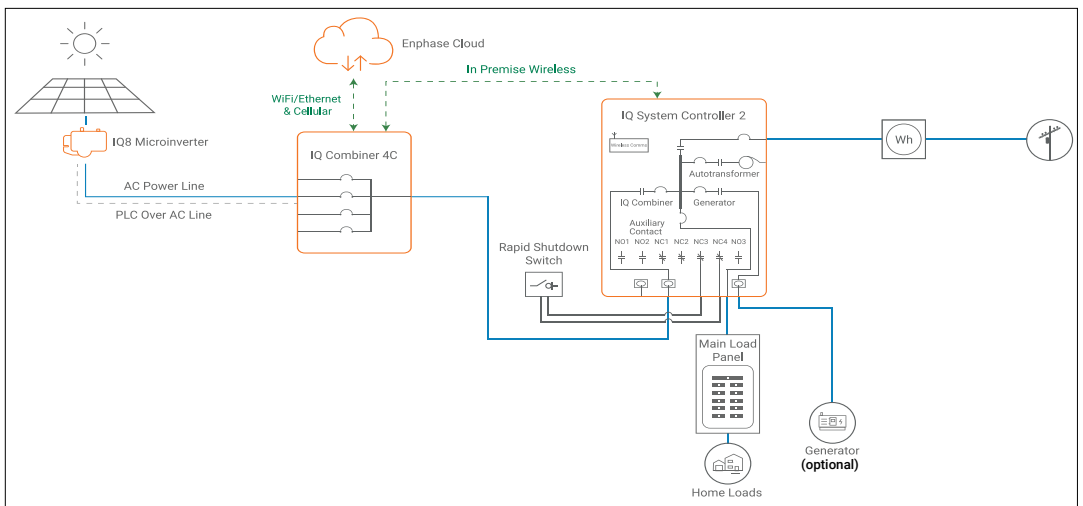
**Scenario 1:
Whole home backup with IQ System Controller as service entrance:** This is the preferred configuration for backup up of the entire main load panel. This configuration supports up to an 80A breaker each for the PV circuit, battery storage and Generator(optional).



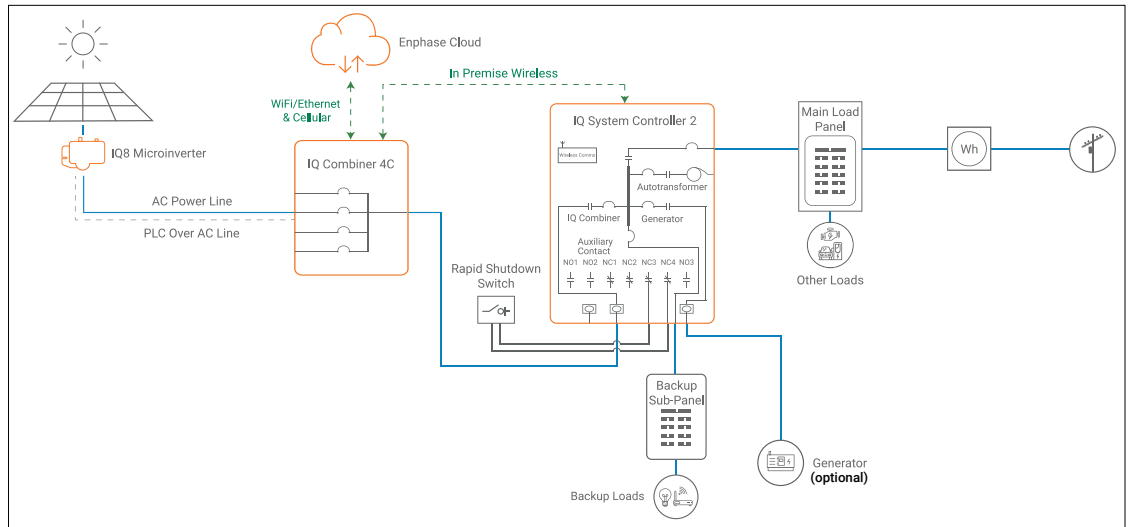
**Scenario 2:
Partial home backup with main load panel as service entrance:** This is the preferred configuration for partial home backup with subpanel with PV and IQ Battery. Generator can be integrated with IQ System Controller based on the homeowner's needs.



**Scenario 3:
Whole home backup with Solar Only backup:** This is the preferred configuration for backup of the entire main load panel using only IQ8 PV. Generator can be integrated with IQ System Controller based on the homeowner's needs.



Scenario 4:
Partial home backup with Solar Only backup: This is the preferred configuration for partial home backup with subpanel using only IQ8 PV. Generator can be integrated with IQ System Controller based on the homeowner's needs.



PREPARATION

- Inspect the packaging and the IQ System Controller 2 for damage. Do not install or use the IQ System Controller 2 if it has been damaged in any way.
 - Ensure that you have the following:
 - One Enphase IQ System Controller 2. The IQ System Controller 2 shipping box contains an Enphase IQ System Controller 2, mounting bracket, mounting hardware, and literature kit (bag with labels and accessories: 150-00148). Among the accessories are four-pin receptacles/dry contacts that will be used for controlling external power relays.
- ⚠ WARNING:** The IQ System Controller 2 weighs 39.4 kg (87 lbs) and will require two persons to lift the unit.
- Make sure you have the following **required** items:
 - Enphase IQ Battery, which is required for off-grid applications.
 - The Enphase IQ System Controller 2 requires a wireless connection to an IQ Gateway, which requires an Internet connection. Failure to maintain an Internet connection may have an impact on the warranty. See enphase.com/warranty for full terms and services.
 - Wireless USB Adapter (COMMS-KIT-01) to be installed at IQ Gateway for communications with IQ Battery and IQ System Controller 2. Includes USB cable for connection to IQ Gateway and allows wireless communication with IQ Battery and IQ System Controller 2.
 - Two current transformers (CT-200-SPLIT) for consumption monitoring
 - One current transformer (CT-200-SOLID) for production metering
 - IQ System Controller 2 lifting handles (EP200G-HNDL-R1).
 - Eaton BR Series breakers, rated maximum 80A for IQ Battery and Enphase IQ Combiner.
 - If breakers are required at the input or output to IQ System Controller 2, use Eaton, Type CSR breakers rated 100 A, 125 A, 150 A, 175 A or 200 A.
 - Tools: conduit (with fittings and fitting tools), drill, 5/32 inch pilot bit (or metric equivalent), screwdriver, socket, wrench, adjustable wrench, torque wrench, level, 5/32 inch Allen key (or metric equivalent), conductor stripper, electrician's hole saw (2 inch) kit or punch set, and stud finder, if installing on studs.
 - Conduit fittings (hubs) are required for all installations, and NEMA Type 3 conduit fittings (hubs) are needed when installing out of doors (one for each used conduit opening).
 - Conduit ground hub rings.

NOTE: Conduit entry is allowed only through the bottom or bottom sides of the unit.

- Three #10, 1/4", or 5/16" lag bolts or screws, 7.6cm (three inches) long (depending on attachment wall), for each wall-mount bracket. Check with a structural engineer and local standards for local requirements.
- Washers for use between fastener heads and wall-mount bracket.
- Conductors rated at 75°C. **For sizes, refer to the table on the unit and to local codes.**
- Over current protection: maximum in accordance with local standards.
- The door sheet metal is not required to be grounded, since it is protected from live parts by other grounded metal and insulating plastic materials, thus is considered unlikely to become energized.

INSTALLATION

Use the **Enphase Installer App™** mobile app for iOS and Android devices. It allows installers to configure the system while on site, eliminating the need for a laptop and improving installation efficiency.

NOTE: Only one IQ System Controller 2 can be commissioned in one system. Multiple IQ System Controller 2s can exist on the same site but they need to be in separate systems, i.e. separate Enphase App/Enphase Installer App activations.

1 Plan a location for the IQ System Controller 2

The IQ System Controller 2 housing is NEMA type 3R and you can install it indoors or outdoors.

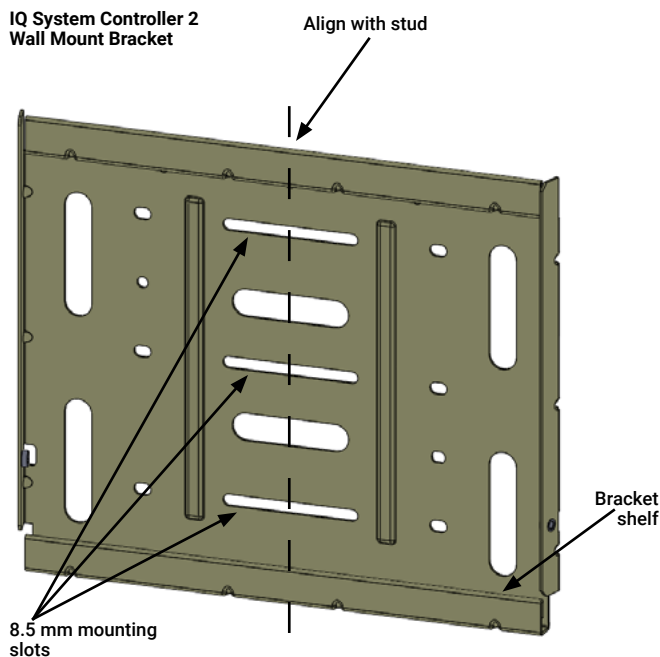
⚠ WARNING: Protection against lightning and resulting voltage surge must be in accordance with local standards.

- Follow all local codes and standards when planning for and installing the Enphase IQ System Controller 2.**
- Choose a well-ventilated location where the ambient temperature is within -40° C to 50° C (-40° F to 122° F), preferably out of direct sunlight.
- Ensure that the mounting location can sustain the weight of the IQ System Controller 2 and mounting bracket 39.4 kg (87 lbs). The wall must include studs that can bear 39.4 kg (87 lbs) or can be of masonry or other suitable structure that can bear the weight.
- Check the mounting location clearances:
 - Indoors: at least 15cm (six inches) off the ground, 15cm (six inches) from the ceiling, and 15cm (six inches) on each side.
 - Outdoors: at least 91cm (three feet) off the ground and 15cm (six inches) on each side.
- Ensure that there are no pipes or electrical conductors where you plan to drill.
- Plan to maintain at least 90cm (three feet) of clearance in front of the IQ System Controller 2.
- Consider the dimensions of the IQ System Controller 2, easy access, unit height, conduit entry, and length of cable when selecting the location.
- Select a location where you can interconnect to the site's load center using the Enphase IQ System Controller 2.



2 Install the wall-mount bracket

- A) Mark a plumb line over the wall stud as a guide.
- ⚠ **WARNING!** Multiple risks. Make sure not to drill or attach into electric wiring or pipes that are in the wall!
- B) Remove the wall mount bracket only from the shipping box.
- C) Place the wall-mount bracket on the wall so that the mounting holes in the middle of the bracket align with the center of the stud. Use a level to keep the bottom of the wall-mount bracket level.
- D) Use the #10, 1/4", or 5/16" wood screws (or masonry attachments if installing in masonry) to attach the bracket using one screw and washer for each slot. The slot size of the IQ System Controller 2 wall mount bracket is 8.5mm. Use an appropriately sized washer for each of the screws, and check with a structural engineer and local standards for local requirements.
- E) Verify that the wall-mount bracket is level, solidly attached to the wall, and oriented for upright installation of the IQ System Controller 2.
- ⚠ **WARNING!** Risk of injury and equipment damage. Do not mount an IQ System Controller 2 on a bracket that is not properly attached to a wall.
- ⚠ **WARNING!** Risk of injury and equipment damage. Protect the IQ System Controller 2 from impact damage and improper use.



- D) Repeat on the other side with the second handle.
- ⚠ **WARNING!** Risk of injury and equipment damage. Two persons are required to lift the IQ System Controller 2.
- E) Use the lifting handles, take the IQ System Controller 2 from the packaging, making sure it is top side up (upright). IQ System Controller 2 is designed only for vertical installation without inclination (must be level).
- F) Lift the IQ System Controller 2 slightly above the installed wall mount bracket and allow it to slide down so that the bracket facing hooks set into both the top and bottom shelves of the wall mount bracket.
- G) Allow the IQ System Controller 2 to slide down until the IQ System Controller 2 is fully seated on the wall-mount bracket shelf.

⚠ **WARNING!** Risk of injury and equipment damage. Do not release the IQ System Controller 2 until you ensure that the IQ System Controller 2 is fully seated in the wall-mount bracket shelf.

- H) For each handle, pull the plunger tabs to release them and remove the lift handles.
- I) Reserve the handles for the next installation.
- J) On the bottom handle mounts, use the two provided partial-threaded custom M6 screws to secure each side of the IQ System Controller 2 and **tighten to 0.5 N·m (4.4 lb-in) or less.**

The threaded portion of the screw engages with the bracket, while the unthreaded portion of the screw engages with the hole in the bracket to prevent vertical movement of the bracket.

⚠ **WARNING!** Risk of injury and equipment damage. Do not skip this step. Without these screws in place, the IQ System Controller 2 may fall and cause injury or damage if bumped or shaken.

- K) Use the four filler plates, provided in the kit, to cover the screws.



4 Install breakers as needed

The IQ System Controller 2 includes one two-pole 40A circuit breaker that feeds the neutral forming transformer (NFT). You can install additional breakers, if needed. You must follow all NEC and local electrical codes.

Install breakers as needed for the AC grid, main load, Enphase IQ Combiner, Enphase IQ Batteries, and generator(optional). These breakers are not included and must be ordered separately.

NOTE: You must install a backup loads breaker if required by local code.

⚠ **WARNING!** Risk of injury and equipment damage. Use only the breakers listed in this table.

List of allowed breakers and hold down kits:

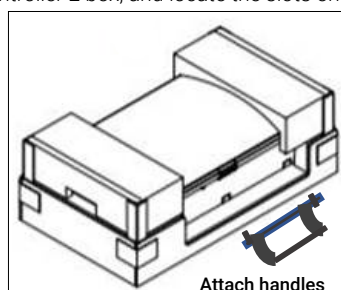
Enphase Model No.	Type and Eaton part no.
BRK-100A-2P-240V	• Main Breaker, 2 pole, 100A, 25kAIC, CSR2100
BRK-125A-2P-240V	• Main Breaker, 2 pole, 125A, 25kAIC, CSR2125N
BRK-150A-2P-240V	• Main Breaker, 2 pole, 150A, 25kAIC, CSR2150N
BRK-175A-2P-240V	• Main Breaker, 2 pole, 175A, 25kAIC, CSR2175N
BRK-200A-2P-240V	• Main Breaker, 2 pole, 200A, 25kAIC, CSR2200N
BRK-20A-2P-240V-B	• Circuit Breaker, 2 pole, 20A, 10kAIC, BR220B
BRK-30A-2P-240V	• Circuit Breaker, 2 pole, 30A, 10kAIC, BR230B
BRK-40A-2P-240V	• Circuit Breaker, 2 pole, 40A, 10kAIC, BR240B
BRK-60A-2P-240V	• Circuit Breaker, 2 pole, 60A, 10kAIC, BR260
BRK-80A-2P-240V	• Circuit Breaker, 2 pole, 80A, 10kAIC, BR280
BRK-20A40A-4P-240V	• Quad breaker, 4 pole, 20A/40A, 10kAIC, BQC220240
EP200G-NA-HD-200A	• Eaton type BR circuit breaker hold-down screw kit, BRHDK125

3 Unbox and mount the IQ System Controller 2 on the wall

⚠ **WARNING:** Risk of injury. Take care when lifting. The IQ System Controller 2 is heavy 38.5 kg (85 lbs).

⚠ **WARNING!** Risk of injury and equipment damage. Avoid dropping the IQ System Controller 2. Doing so may create a hazard, cause serious injury, and/or damage the equipment.

- A) Remove the upper IQ System Controller 2 box, and locate the slots on both sides of the IQ System Controller 2 enclosure.
- B) Locate the lifting handles (sold separately) and check that the plungers are extended and ready to engage into the IQ System Controller 2 slots.
- C) Align one handle on one side of the IQ System Controller 2 and press the handle into the slots, and slide the handle toward the top of the IQ System Controller 2 enclosure until it clicks into place. Check that the handle is secure.



Breaker installation positions are noted in the diagram:

- A) Ensure that the IQ System Controller 2 is completely de-energized.
- B) Open the three latches that lock the enclosure door. To release the latch, pull the latch handle forward and then to the right. With all the latches opened, swing open the enclosure door.

⚠ WARNING: Risk of equipment damage. Do not remove the pre-installed solar shield attached to the enclosure door.

- C) Use a Phillips screw driver to loosen the six screws along the periphery of the deadfront. Support the deadfront to keep it from falling while performing the next step.
- D) While supporting the deadfront, use a screwdriver to disconnect the deadfront ground wire from the grounding bar before the deadfront is removed.
- E) Use the two tabs on the front to assist handling the deadfront during the removal. Keep the deadfront and screws handy as you will need them later.

⚠ WARNING: Risk of electric shock. To maintain the warranty, do not modify the deadfront other than to remove or replace filler plates, as needed.

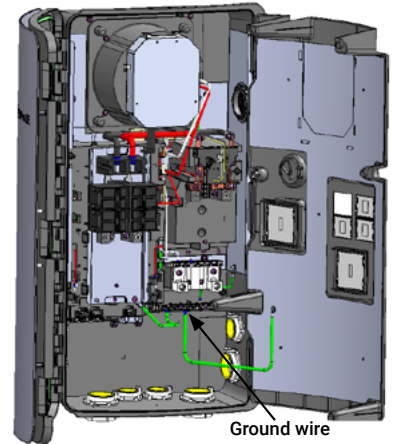
- F) If you install a main breaker or load breaker, remove the standard lugs before installing the Eaton CSR breaker. By default, lugs are provided in the IQ System Controller 2 unit for connection to the mains and to the load. In case of usage without breakers, the conductors are connected directly to these lugs. When breakers are used, the lugs are replaced with breakers during installation.
- G) Remove a filler plate from the deadfront for each breaker position you will use. Refer to the breaker position diagram to the left. To remove the filler plate, press the two snaps inward while gently pushing the filler plate out.
- H) For the IQ Battery, AC Combiner or Generator (optional) connection, snap the appropriately sized BR series two-pole Eaton breaker onto the busbar, using only the breaker positions indicated in the diagram on the door of the unit. The wires to be connected to each breaker are located beside each breaker position. Remove the heatshrink cap on the wire ends before inserting into the breaker.
- I) There are three ways of installing the IQ Gateway breaker:

Option 1: Unwire and remove the IQ Gateway breaker from the IQ Combiner, wire L1 and L2 from IQ Gateway terminals through the PV conduit to IQ System Controller, insert IQ Gateway breaker onto the bottom right position on IQ System Controller busbar (earlier reserved for generator), wire IQ Gateway L1 and L2 to IQ Gateway breaker on IQ System Controller busbar.

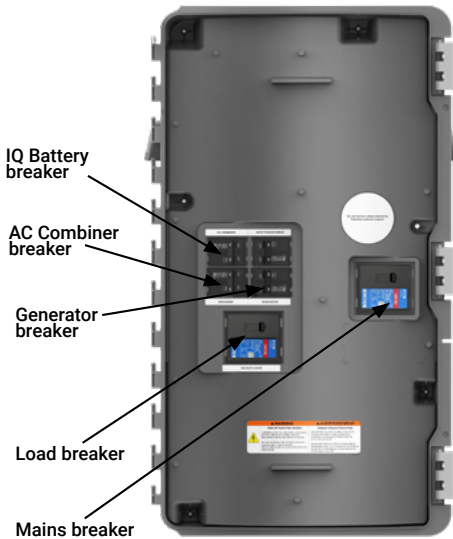
Option 2: Unwire and remove IQ Gateway breaker inside IQ Combiner, wire L1 and L2 from IQ Gateway terminals through the PV conduit through IQ System Controller to backup panel, insert IQ Gateway breaker onto an available space on backup loads panel, wire IQ Gateway L1 and L2 to IQ Gateway breaker on backed up loads panel. Generator breaker position is free to be used with generator.

Option 3: Unwire and remove IQ Gateway breaker inside IQ Combiner, unwire and remove NFT breaker inside IQ System Controller and insert quad breaker (BRK-20A40A-4P-240V) in the NFT position, wire L1 and L2 from IQ Gateway terminals through the PV conduit to IQ System Controller, wire IQ Gateway L1 and L2 and NFT L1 and L2 to the quad breaker. Generator breaker position is free to be used with generator.

- J) The bottom right breaker position can be used for the below purposes:
 1. Power the IQ Gateway
 2. Interconnect with the Generator (optional)
 3. Power the control transformer to enable the auxiliary contact load/PV shedding feature
 4. Connect the subpanel backup load breaker for <100A load subpanel. You can connect the main breaker of the subpanel to this position, since the load side lugs in IQ System Controller do not support <100A breaker or <1AWG wires. Ensure you stick the "GENERATOR" or "BACKUP LOADS" label, on top of the "IQ Gateway" embossing, on the IQ System Controller deadfront per the usage.



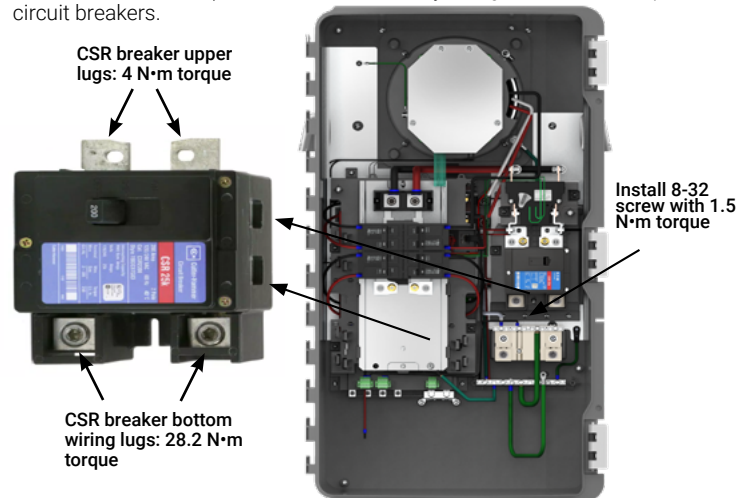
- K) Install each breaker by rocking it to the left, catching the clips that hold it in place. Then rock the breaker to the right so it is fully seated and secure.
- L) For the main load breaker, use an appropriately sized CSR Eaton breaker. Install at the location indicated in the diagram on the door of the unit.
- M) Remove the mains/load lugs by unscrewing the two nuts holding the lugs. Re-use the same nuts to fix the CSR breakers in the same position. Torque to 4 N·m (35.4 lb·in).
- N) Use the 8-32 screw (from the lit kit marked 150-00148 that ships with the IQ System Controller 2) to secure the mains breaker (not the load breaker). Use a T20 drive to **tighten the 8-32 screw to 1.5 N·m (13.3 lb·in)**. Do not use any other screw.
- O) Check that all breakers are properly seated.
- P) Use the included stowed conductors, as labeled, to wire the circuit breaker(s) for the IQ Batteries, IQ Combiner, and generator (optional), as needed. The stowed conductors are provided with crimped-on ferrules with end caps to prevent accidental contact. Remove the conductor end caps as needed.
- Q) Torque the breaker connections as listed in the following and **in the conductor table on the unit**.
- R) Purchase and install two circuit breaker hold-down screw kits (SKU: EP200G-NA-HD-200A) to secure the IQ Battery and generator double-pole circuit breakers.



Required practices when torquing connections:

- Always follow NEC 2017 110.4 (D) dictates.
- You must use a calibrated torque tool to achieve the indicated torque values.
- Use tamper-proof torque mark/paint after torquing connections.

Connections	Wire size (AWG)	Torque (N·m / lb·in)
Main lugs	Cu/AL: 300 KCMIL - 1	31.1 / 275
Backup load lugs (use a 1/4" hex drive)	Cu/AL: 300 KCMIL - 2	28.2 / 250
CSR breaker bottom wiring lugs	Cu/AL: 300 KCMIL - 2	28.2 / 250
BR breakers (wire provided)	6	3.1 / 27
AC Combiner lugs,	14 - 10	2.8 / 25
IQ Battery lugs, and	8	3.4 / 30
Generator lugs	4 - 6	3.9 / 35
	2 - 3	4.5 / 40
Neutral - large lugs (use a 3/8" hex drive)	Cu/AL: 300 KCMIL - 6	31.1 / 275
Neutral and ground bars		
Large holes (5/16-24 UNF)	1/0 - 3	5.6 / 50
	4 - 6	5.1 / 45
	8	4.5 / 40
	10 - 14	4.0 / 35
Small holes (10-32 UNF)	6 - 8	2.8 / 25
	10 - 14	1.7 / 15



5 Wire the field connections and the rapid shutdown (RSD) switch

switch

⚠ DANGER! Risk of electric shock. Check that all circuits connecting to the IQ System Controller 2 are de-energized before wiring.

⚠ WARNING! Do not install consumption CTs on the conductors above the common busbar or on the main conductors below the main breaker if the main breaker is used as service entrance. If the main breaker is the service entrance breaker, You must install the CTs on the conductors near the service entrance of system controller.

- A) Drill conduit entry holes as needed, and install conduit grounding lugs for each opening. Be sure to reseal unused conduit entry holes with sealing plugs.

NOTE: Main supply conductors may enter the IQ System Controller 2 from the bottom or from the bottom-left side. Backup load conductors may enter the IQ System Controller 2 from the bottom or bottom-right side. IQ Battery, IQ Combiner and generator conductors may enter from the bottom, bottom-left or bottom-right sides.

- B) Size the conductors (Line, Neutral and Ground) depending on the breaker or fuse, proper ampacity, and voltage rise requirements according to local codes. Refer to the conductor rating table on the door of the IQ System Controller 2.
- C) If the IQ System Controller 2 is not installed as service equipment¹, you must remove the main bonding jumper connected between the grounding bar and the neutral assembly. Refer to the wiring diagram.

NOTE: Do not modify or rewire any of the other pre-installed wiring or bonding connections in the IQ System Controller 2.

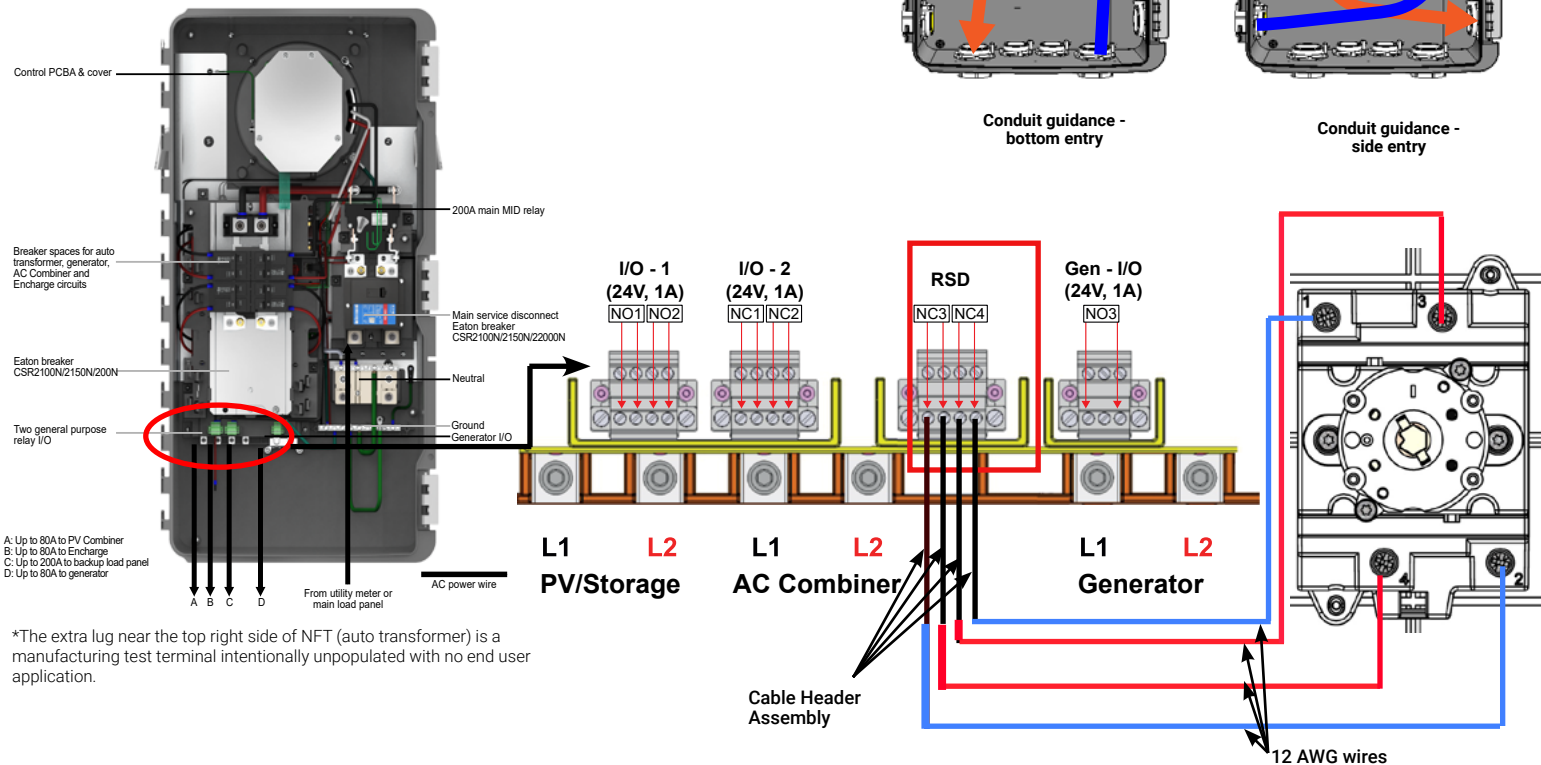
- D) If IQ System Controller 2 is installed as service equipment¹:
- Connect a grounding electrode conductor to the grounding bar.
 - From the lit kit, place the label "GROUNDING ELECTRODE TERMINAL" adjacent to the grounding bar.
 - From the lit kit, place the label "SUITABLE FOR USE AS SERVICE EQUIPMENT" / "MAIN SERVICE DISCONNECT" on the deadfront near the main breaker/ service disconnect.
 - If IQ System Controller 2 is not used as service equipment, these labels should not be used.

- E) Connect Lines, Neutral, and Ground. **For details, refer to the conductor table on the unit for sizes and refer to local codes.**

⚠ WARNING! Risk of equipment damage. Always disconnect to two Lines (active), one neutral, and one ground.

- F) Connect the AC wires of Enphase IQ Combiner, IQ batteries, and generator into the terminal lugs at the bottom of the IQ System Controller load center on the left.

⚠ WARNING! Do not connect the AC wires directly into the breakers. The AC wires go into the terminal lugs as shown in the label.



¹The extra lug near the top right side of NFT (auto transformer) is a manufacturing test terminal intentionally unpopulated with no end user application.

G) Rapid shutdown (RSD) switch connections

To conduct IQ8 PV rapid shutdown, a double pole single throw lockable RSD switch is required. The RSD switch should be placed in a readily accessible location outdoor and wired to IQ System Controller. The maximum distance between the RSD switch and IQ System Controller is 200 feet. The RSD port in IQ System Controller 2 accepts 28AWG to 16AWG wire sizes. For RSD switch that supports only higher gauge wire sizes (e.g. 12AWG), the cable assy header included in the IQ System Controller 2 Lit Kit is required.

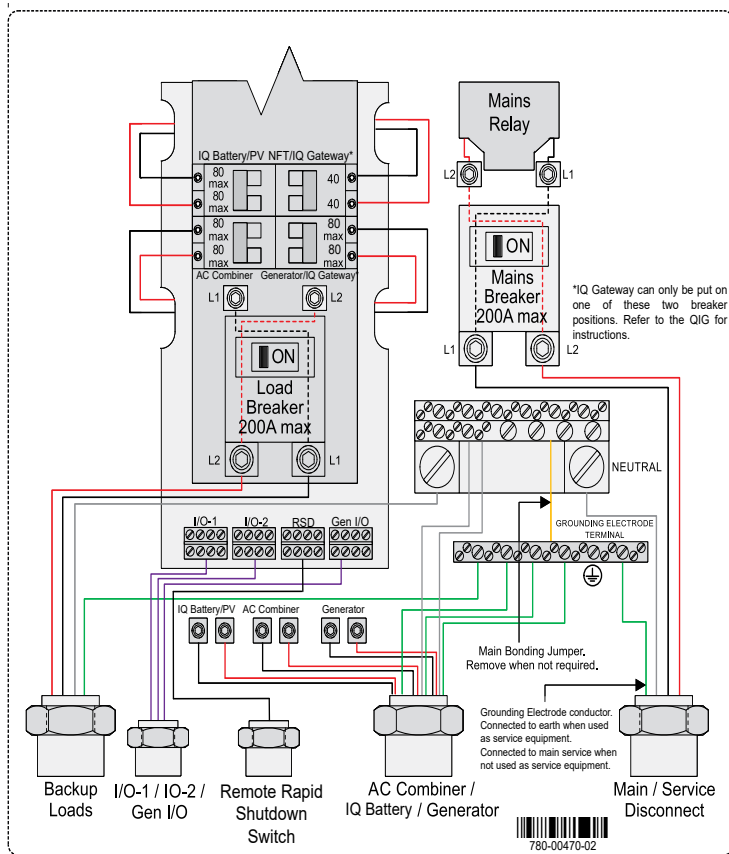
To connect the RSD switch with the IQ System Controller RSD port, wire the L1 and L2 of one pole of the RSD switch to the two terminals of NC3 in IQ System Controller, and wire the L1 and L2 of the other pole of the RSD switch to the two terminals of NC4 in IQ System Controller.

To convert the RSD switch 12AWG wires to 16 AWG wires, connect the RSD wires first to the cable assy headers from the IQ System Controller lit kit, and then connect the 16AWG wires on the header to NC3 and NC4 in IQ System Controller.

- H) After all conductors are connected and secured, check that there are no exposed conductors or stray wires.
- I) Gently arrange all the conductors and connectors inside the cabinet.

⚠ DANGER! Risk of electric shock. The system is not ready to be energized! Do not close any circuit breaker yet.

NOTE: The polarity of L1 and L2 is swapped inside Eaton CSR series main breakers. Installers should follow L1 and L2 on the following image when installing consumption CTs.



The National Electric Code(NEC) 2017 NEC 705.12(B)(2)(3)(b) allows backfeed of current from solar/storage into the main panel subject to the following limit

$$\text{Backfeed allowed} \leq ((120\% \text{ of busbar rating}) - \text{Ampacity of the overcurrent protection device protecting the busbar}) / 125\%$$

Enphase, through its Enphase mobile app, also provides grid profiles that comply with PEL limits for various jurisdictions. In a situation where both the PCS limit and a PEL profile are being used, the maximum current backfed from the IQ System Controller 2 to the main panel is always the lower of the PEL limit and the PCS limit.

NOTE: Import Only Mode for Energy Storage System is fixed in software and cannot be changed in the field.

Configuring PCS In the Enphase Storage System

A) Check that you have the following items. You must use the listed CTs and Enphase IQ Gateway or the Envoy-S Metered with the IQ System Controller 2 and IQ Battery for Power Control System functionality.

- Two current transformers (CT-200-SPLIT) for consumption/PCS monitoring
- One current transformer (CT-200-SOLID) for production metering (included with IQ Gateway)
- IQ Gateway (ENV-IQ-AM1-240) or Envoy-S Metered (ENV-S-AM1-120): The IQ Gateway can be standalone or integrated in an IQ Combiner box.

B) Follow all instructions in the IQ Gateway or IQ Combiner Quick Install Guide to ensure that CTs are installed and wired correctly with correct polarity. Refer to the following diagram for the locations and polarity (arrow on top of CT) on the CTs.

For whole home backup configuration, the CTs should be placed in the same location (Production CT in IQ Combiner; PCS CT in IQ System Controller 2) as shown in the diagram PCS CT installation within IQ System Controller 2.

C) When being used for PCS, you must install the CT-200-SPLIT current transformer inside the system controller on the conductors near the service entrance of the the system controller. The arrows on the Consumption/PCS CT must point towards the loads, towards the busbar inside the IQ System Controller 2. Refer to the image on the next page for the Consumption/PCS CT location and wiring to the IQ Gateway.

D) You must protect all PCS controlled busbars and/or conductors with suitably rated overcurrent devices that are appropriately sized for the busbar rating or conductor ampacity. Refer to the IQ Gateway/IQ Combiner QIG to see wiring details for CTs.

E) You must indicate, with a label, the maximum current setting for back-feed from IQ System Controller 2 that is controlled by PCS. Apply a label on the IQ System Controller deadfront indicating the maximum current setting for back-feed from IQ System Controller 2 that is controlled by PCS. An example of the required label is shown as follows. Record the maximum operating amps value on the label.

THE MAXIMUM CURRENT BACKFED BY THIS SYSTEM TO THE MAIN PANEL MAY BE CONTROLLED ELECTRONICALLY. REFER TO MANUFACTURER'S INSTRUCTIONS FOR MORE INFORMATION

PCS CONTROLLED CURRENT SETTING: AMPS

6 Set Up the Power Control System

The IQ System Controller 2 device, when used with IQ Gateway and Production as well as Consumption/PCS CTs, enables the Power Control System (PCS) functionality in the Enphase Storage System.

Device	Supported SKU's
1) PCS Controller(IQ Gateway)	<ul style="list-style-type: none"> • IQ Gateway i.e., ENV-IQ-AM1-240 • Envoy S metered i.e., ENV-S-AM1-120* • IQ Combiner boxes containing the IQ Gateway: IQ Gateway is included in X-IQ-AM1-240-3C, X-IQ-M1-240-3, X-IQ-AM1-240-3-ES, X-IQ-AM1-240-3C-ES, X-IQ-AM1-240-2, X-IQ-AM1-240-B, X-IQ-AM1-240-4, X-IQ-AM1-240-4C
2) Current Transformers	<ul style="list-style-type: none"> • CT-200-SPLIT(needs 2 units) • CT-200-SOLID(included with the IQ Gateway)
3) IQ System Controller 2	EP200G101-M240US01
4) IQ Battery	<ul style="list-style-type: none"> • ENCHARGE-3-1P-NA, ENCHARGE-10-1P-NA, • ENCHARGE-3T-1P-NA, ENCHARGE-10T-1P-NA
5) Microinverters	<ul style="list-style-type: none"> • IQ6 series (IQ6, IQ6Plus), IQ7 series (IQ7, IQ7A, IQ7Plus, IQ7X, IQ7PD) • M215 and M250 series*

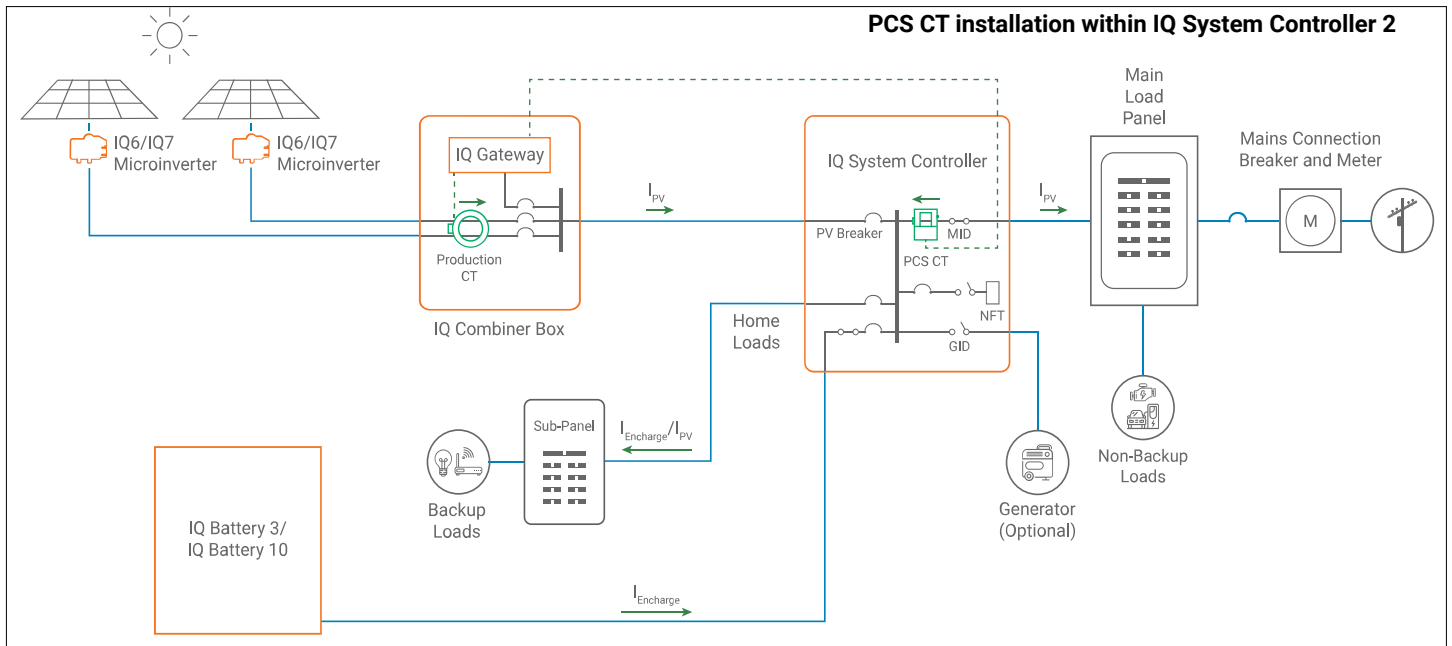
* Envoy S metered and M-series inverters do not support PV curtailment for MPU avoidance. The Enphase Storage System supports 2 PCS use cases:

- **Import Only mode for Energy Storage System (ESS):** Enphase Storage System can import power from the Area Electric Power System (EPS) for charging purposes but does not export active power from the ESS to the Area EPS. The ESS mode of Import Only applies irrespective of the configured battery smart profile, i.e., Self-Consumption, Full Backup, or Savings (Time of Use) with optimization.
- **Main Panel Upgrade (MPU) avoidance:** In the partial home backup scenario, the PCS limit the currents backfed into the main panel as allowed by 2020 NEC article 705.13. This ensures that the main panel complies with the NEC article 705.12.

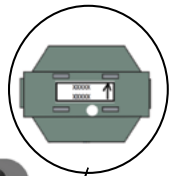
NOTE: This use case is only supported with IQ Gateway and IQ6/7/8 series inverters.

This mode is applicable when the system is configured as in Scenario 2 as described on page 1 of this QIG.

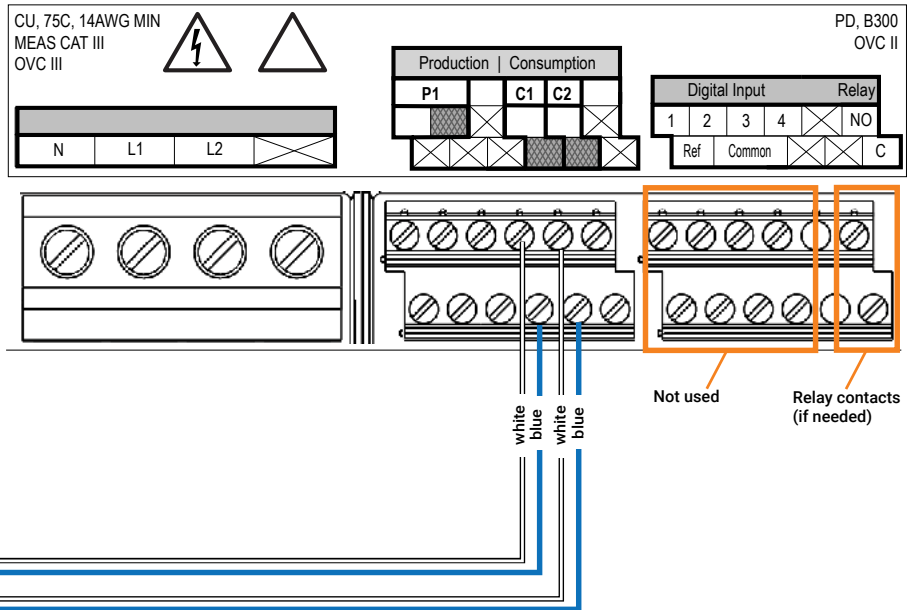
6 Set Up the Power Control System (continued)



Consumption CTs
The arrows must point toward the load, away from the grid.



IQ Gateway Terminal Block



- F) For Production as well as Consumption/PCS CTs, you must apply the following label to each CT when the system is configured to use PCS-based current limiting.

This sensor is part of a Power Control System. Do not remove or disable. Replace with same type and rating.

The available space on the CTs for labeling is as follows.

Consumption/PCS CT (CT-200-SPLIT):

- Left side: 20mm(vertical) x 14mm(Horizontal)
- Back side: 20mm (vertical) x 20mm(Horizontal)

Production CT (CT-200-SOLID):

- 9mm(vertical) x 30mm(horizontal)

NOTE: The maximum operating currents in controlled busbars or conductors are limited by the settings of the Power Control System (PCS) and may be lower than the sum of the currents of the connected controlled power sources. The settings of the PCS controlled currents may be used for calculation of the design currents used in the relevant sections of NEC Article 690 and 705.

⚠ WARNING! Risk of electric shock and fire. Only qualified personnel are permitted to set or change the setting of the maximum operating current of the PCS. The maximum PCS operating current setting shall not exceed the busbar rating or conductor ampacity of any PCS controlled busbar or conductor.

G) PCS Export Limiting via Enphase Installer App

PCS that ensures the Import Only mode for ESS is always running in the system and the import only mode is not changeable. Energy storage never exports to grid and therefore never backfeeds the main panel in a partial backup scenario if consumption/PCS CTs are placed as outlined in section 6.

This section outlines how to configure current export limiting to limit PV current when PV current exceeds the allowed backfeed/export.

The MPU avoidance use case of PCS can be enabled via Enphase Installer App during installation at Step 2 b) Site Configuration as shown in the figure below:

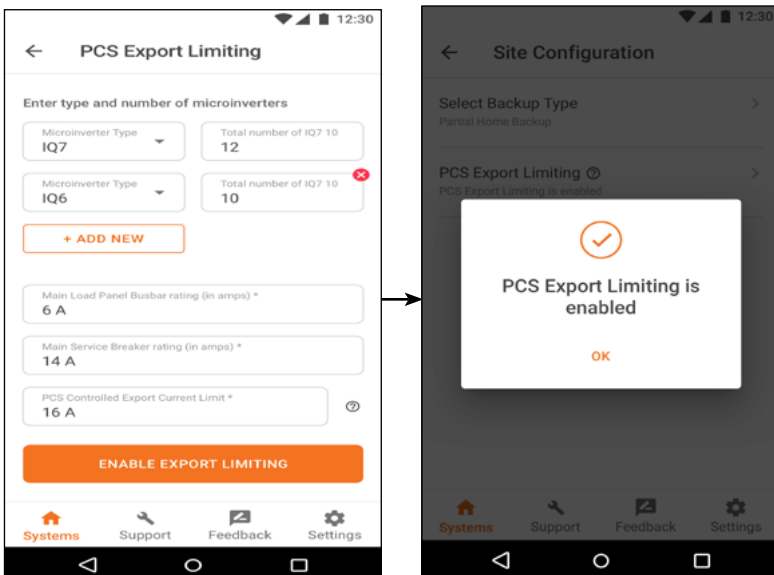
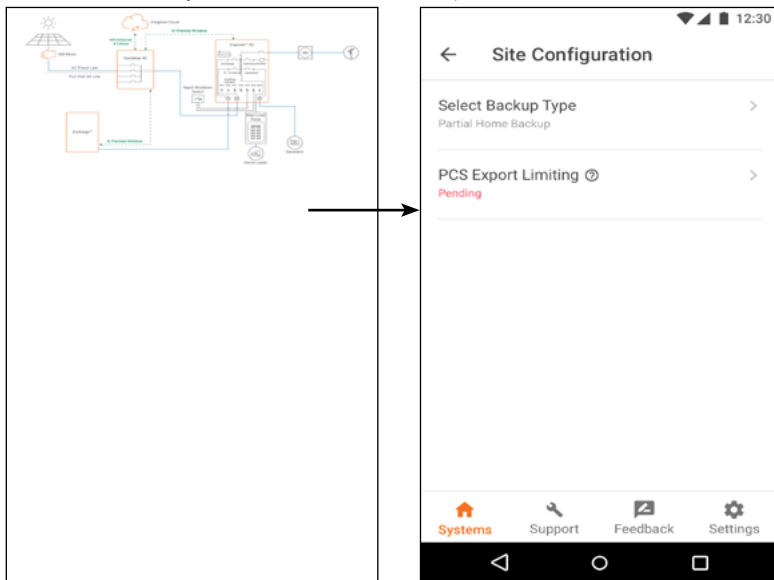
NOTE: The MPU avoidance use case requires configuration using the Enphase Installer App version v3.0.8 or higher and IQ Gateway software version 6.1.32 or higher.

In the site configuration menu, the user can see 2 options:

- Select Backup Type
- PCS Export Limiting

As the MPU avoidance configuration can only be enabled in the partial home backup mode, the installer has to first select the 'Partial Home Backup' configuration under 'Select Backup Type'.

Then, in the 'PCS Export Limiting' section, the installer is required to enter the type of micro-inverters (IQ8, IQ7, IQ6) & the number of micro-inverters of each type. Along with this, the installer adds information on the rating of the main load panel busbar, the main service breaker rating & can also set the PCS Controlled Export Current Limit. If this value is not set, the system auto-calculates the export current limit based on the



7 Auxiliary Contact Connections

IQ System Controller 2 has three I/O ports and one Rapid Shutdown Switch (RSD) port.

- I/O-1, I/O-2 are for load and excess PV control:
- I/O-1 has two normally open auxiliary contacts (NO1, NO2), and each auxiliary contact has two terminals

I/O-2 has two normally close auxiliary contacts (NC1, NC2), and each auxiliary contact has two terminals

The RSD port is for connecting with a remote RSD switch. It has two normally close auxiliary contacts (NC3, NC4), and each auxiliary contact has two terminals.

Gen-I/O has one normally open auxiliary contact (NO3) for generator control, and this contact has three terminals.

All the auxiliary contact relays are rated for pilot duty at 24Vac/Vdc (nominal) and 1 Amp.

A. Auxiliary Contact connections for shedding excess PV and load

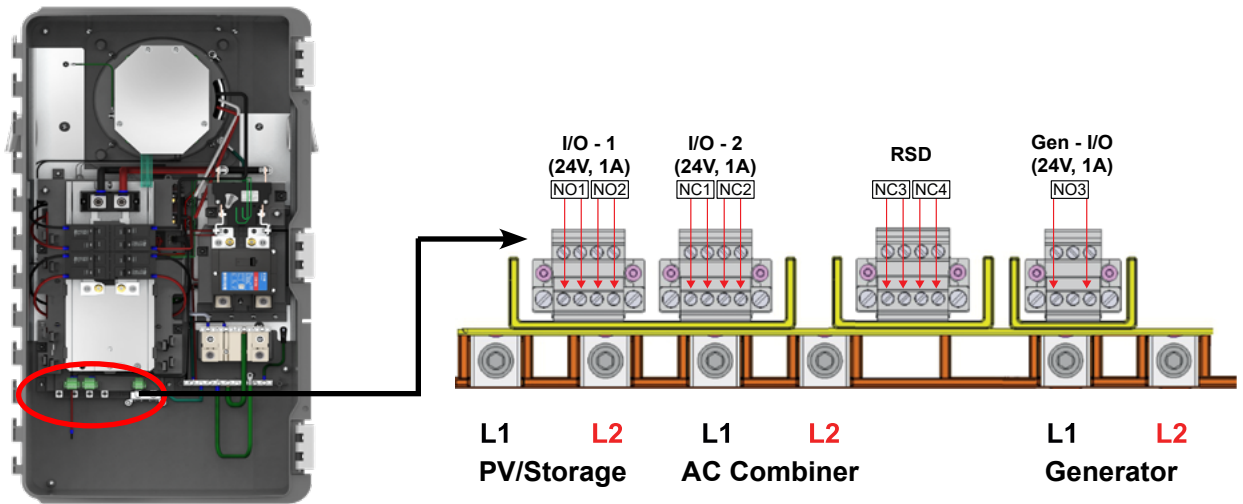
For making the connections you would need the following components: a definite purpose contactor, control transformer, and fuse.

For recommendations please refer the tech brief

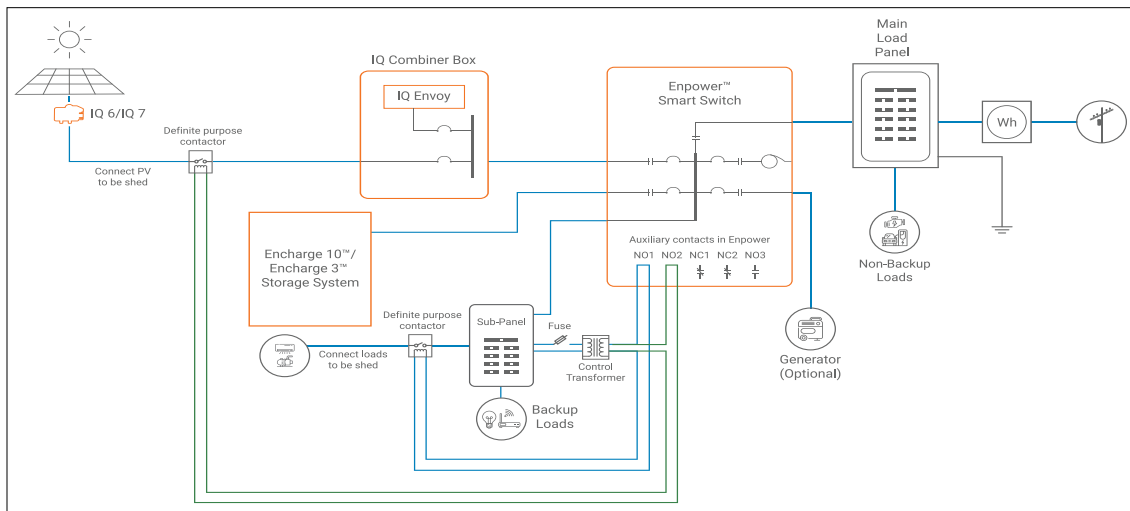
<https://support.enphase.com/s/article/Load-and-Solar-Circuit-Control-using-Enpower-Auxiliary-Contacts>

Steps for connecting auxiliary contact for shedding excess PV or load:

1. Use wires sized per local code requirements taking into consideration the voltage drop/rise and upstream breaker or fuse.
2. Connect one of the primaries of the control transformer to 120V breaker, and the other wire to the neutral bus in the backup load panel via an OCPD such as an inline fuse.
3. Connect one wire of the secondary of the control transformer to one of the terminals of either NO/NC auxiliary contact from I/O-1 or I/O-2 on IQ System Controller 2.
4. Connect the other terminal of the auxiliary contact to the 24Vac coil terminal (usually named A1) of the definite purpose contactor.
5. Connect the other terminal of the contactor coil (usually named A2) to the other wire of the secondary of the control transformer.
6. For shedding excess load:
 - a. Connect the L1 (and L2 if 240V) terminal of the definite purpose contactor to the backup load panel protected by a breaker.
 - b. Connect the T1 (and T2 if 240V) terminal of the contactor to the excess load circuit that needs to be shed.
7. For shedding excess PV:
 - a. Connect the L1 and L2 terminals of the definite purpose contactor to the OCPD (e.g., breaker in the AC combiner) protecting the inverter output circuit of the excess PV to be shed.
 - b. Connect the T1 and T2 terminals of the definite purpose contactor to the inverter output circuit of excess PV that needs to be shed.



Auxiliary contacts In IQ System Controller 2



Line diagram for auxiliary contact connections used for shedding excess load and PV.

Line diagram for auxiliary contact connections image shows NO1 is used to shed excess loads and NO2 is used to shed excess PV. See our technical brief, Load and Solar Circuit Control using IQ System Controller Auxiliary Contacts (<https://support.enphase.com/s/article/Load-and-Solar-Circuit-Control-using-Enpower-Auxiliary-Contacts>), for detailed line diagram and other details.

B. Securing Auxiliary Contact to IQ System Controller 2

IQ System Controller 2 is shipped with feed through headers pre-installed on the terminals.

Follow the below steps to secure the headers to IQ System Controller 2, as shown in Feed through headers for I/O-1 and I/O-2 image.

1. Insert the wires from the transformer controller and the external contactor into the feed through header.

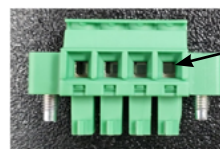
NOTE: Supports AWG 28 to AWG 16 wire sizes

2. Tighten the screws on the top (torque 0.22Nm to 0.25Nm) to secure the wires.

Follow same procedure for generator dry contact connections (There are 3 terminals on the Gen-I/O port as shown in Feed through header for generator I/O image. Use the first and third terminal for wiring.)



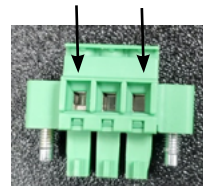
2. Tighten these screws to hold the wires in place



1. Insert wires here

Feed through headers for I/O-1 and I/O-2

Insert wires in these terminals



Feed through header for generator I/O

8 Generator Connections

An auto-start generator can be integrated with the Enphase Storage system without the need for any external ATS.

NOTE: This system is only compatible with permanently installed, hardwired generators that are non-separately derived as per NEC 250.35(B).

Steps for connecting a generator are listed below:

A) Wire the L1 and L2 AC wires from the generator into the generator lugs on the IQ System Controller 2.

B) Ensure that the ground terminal of the generator is connected to the ground bar inside IQ System Controller 2. Size the generator's equipment grounding conductor as per NEC 250.122 and generator manufacturer's instructions.

C) Connect the neutral wire from generator to an appropriately sized position on the neutral bar inside IQ System Controller 2.

NOTE: IQ System Controller 2 does not switch the neutral and the ground from the generator. It only switches the feeders i.e., L1 and L2. Therefore, the generator needs to be configured as a non-separately derived system.

D) Buy and install an appropriately sized breaker for the generator on the IQ System Controller 2's busbar and connect the L1 and L2 generator cables from IQ System Controller 2's ATS board to this breaker.

NOTE: The maximum allowed breaker size is 80A. Select an Eaton BR breaker model that has the hole for the additional fastener as per NEC 480.36(D). Available models: BR220B, BR230B, BR240B, BR250B. Eaton breaker BR260, BR280 already has the hole.

E) Purchase and install a hold-down screw kit (SKU: EP200G-NA-HD-200A) to secure the Generator breaker.

F) Install a pair of generator CTs (CT-200-SPLIT) for L1 and L2 at the IQ System Controller 2's Generator input terminal for power monitoring when the generator is running. Detailed CT wiring is described in step 9.

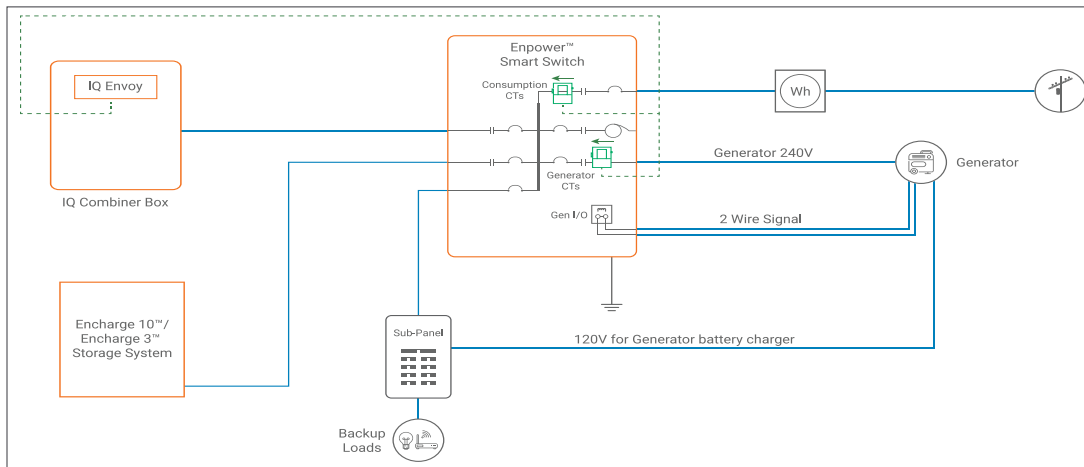
G) Use Enphase Installer App mobile application to commission and program IQ System Controller 2 to control the generator.

H) For 2-wire autostart generators, wire the Generator I/O port in IQ System Controller 2 to the 2-wire remote start terminals of the generator. Refer Step 7 for steps on how to secure the auxiliary contacts to IQ System Controller 2. Follow local code requirements for wire sizing.

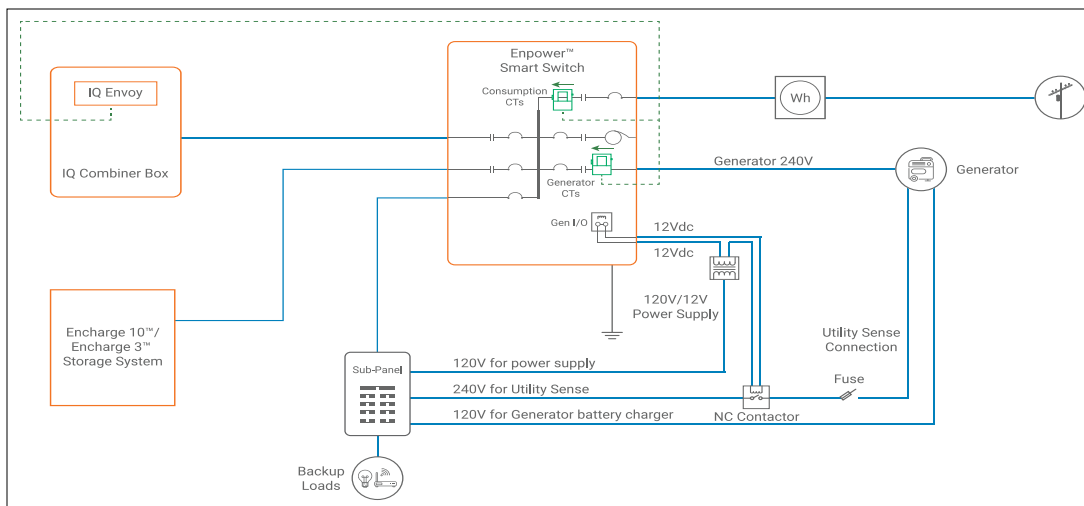
I) Autostart generators typically require a constant 120 Vac for battery charger. This power can be drawn from the backup loads panel protected by a breaker so that it is powered even during an outage.

J) For permanently installed Propane/Natural gas generators, have a certified contractor install the gas line required to supply the unit.

K) Some utility-sense based generators like the Generac Guardian come with the capability to auto start generators when system goes off grid by sensing the absence of the 240V utility power. For such utility-sense based remote start generators, install the utility sensing generator start/stop control circuit. Wire the primary of a 120V/12V power supply to the backup loads panel. Connect the secondary to the Generator auxiliary contact relay on the IQ System Controller 2. Wire the other end of the relay to the coil of the Normally Close contactor. Connect the contactor to 240V from the backup loads panel for utility sensing. Wire the other end of the contactor to the Generator through a fuse.



Line diagram for 2-wire remote start generator connection




Line diagram for utility sense based remote start generator connection

9 Install the Generator CTs to standalone IQ Gateway or IQ Gateway in the IQ Combiner box


A pair of generator CTs will be connected in parallel to the consumption CTs, if present.


- A) Make sure that the main load center wires are de-energized until you have secured the CT wires in the terminal blocks.
- B) Before running the CT wires through the conduit, use colored tape to mark one of the CTs and the free end of its wires.
- C) Clamp the marked CT on Line 1 of the generator branch circuit inside the IQ System Controller 2 box with the arrow on the CT pointing towards the Generator breaker.
- D) Clamp the unmarked CT on Line 2 of the generator branch circuit inside the IQ System Controller 2 box with the arrow pointing towards the Generator breaker.
- E) Bring the CT lead wires out of IQ System Controller 2 to the standalone IQ Gateway or IQ Gateway in the IQ Combiner box
- F) Use a screwdriver to loosen the screw on the IQ Gateway terminal block door and open the door.
- G) Unscrew the Consumption CT wires if present
- H) For the marked CT
 - a. If the Consumption CT is present, use NEC approved wiring method to splice the white wire of the CT with the white wire of Line 1 of the consumption CT.
 - b. Connect the spliced white wires to the upper "C1" terminal of IQ Gateway ("IA" terminal for the Envoy-S Metered).
 - c. Splice the blue wire of the CT with the blue wire of Line 1 of the consumption CT.
 - d. Connect the spliced blue wires to the lower "C1" terminal of IQ Gateway ("IA" terminal for the Envoy-S Metered).
- I) For the unmarked CT
 - a. If the Consumption CT is present, use NEC approved wiring method to splice the white wire of the CT with the white wire of Line 2 of the consumption CT.
 - b. Connect the spliced white wires to the upper "C2" terminal of IQ Gateway ("IB" terminal for the Envoy-S Metered).
 - c. Splice the blue wire of the CT with the blue wire of Line 2 of the consumption CT.
 - d. Connect the spliced blue wires to the lower "C2" terminal of IQ Gateway ("IB" terminal for the Envoy-S Metered).
- J) Tighten each of the IQ Gateway terminal block screws to 5 in-lbs (0.56 Nm).
- K) Close and secure the terminal block door of the Envoy.


10 Close and energize IQ System Controller 2

 **WARNING:** Before energizing, make sure that ALL IQ System Controller 2 connections are properly installed and conductors terminated.

- A) Reconnect the deadfront ground cable to the grounding bar, torque as shown in the table on the unit label (and on page 4 of this guide), and replace the deadfront using the six reserved screws. Tighten the cover screws using a Phillips screw driver.


 **WARNING!** Risk of equipment damage. Ensure that no conductors are pinched before replacing the cover.

 **WARNING!** Conductors are factory provided for the generator, AC combiner and IQ Battery. If no generator is used with the system, these conductors will not be terminated. If the IQ Combiner does not connect to the IQ System Controller 2, these will also not be terminated. When these wires are not terminated, they should remain stowed in the clips on the plastic frame supporting the panel board interior and their end caps should not be removed.

 **DANGER:** Risk of electric shock. There are many potential sources of voltage. Check any Enphase IQ Battery, PV, or other generation source for voltage.

- B) You must ensure that all electrical circuits external to IQ System Controller 2 are completed and safe before energizing IQ System Controller 2.

- C) If you work on an IQ6/7/M-series retrofit system, and you plan to energize IQ System Controller 2 and connect the PV without commissioning the system in the same day, follow the sequence below:
 - a. Leave the AC combiner breaker in the load panel where it was originally placed, instead of connecting the AC combiner L1 and L2 circuits to the terminal lugs in IQ System Controller. This way your PV systems can still be functional before commissioning.
 - b. OPEN the NFT and IQ Battery breakers
 - c. CLOSE the breakers in the following order:
 - Main breaker
 - Load breaker

 **WARNING!** At commissioning, you must reconnect the AC combiner L1 and L2 circuits back to the terminal lugs in IQ System Controller as shown in step 5(F) in this document.

NOTE: If not commissioning the system you must ensure that the DC switches on all IQ Batteries are turned off to avoid the depletion of charge on the IQ Batteries.

- D) If you plan to commission the system, follow the instructions in the Enphase Installer App for energizing IQ System Controller 2.
- E) Energize the circuit feeding the IQ System Controller 2. If installed, turn the breaker feeding the IQ System Controller 2 to the on position.
- F) Close and secure the door of the IQ System Controller 2.

11 Field Adjustable Trip Points

IQ System Controller 2 has adjustable voltage and frequency trip points that may need to be set depending upon local requirements. An installer can request Enphase Customer Support for making requested changes to the IQ System Controller 2 trip points. It is important to ensure that all electrical code requirements as well as requirements imposed by local Authorities Having Jurisdictions (AHJ) are followed while setting the trip points.

CONFIGURE and ACTIVATE

Use the Enphase Installer App to commission the IQ System Controller 2. Once connected to the IQ Gateway, refer to the Installer Toolkit help topics for more information.

OPERATION

If you do not see the IQ System Controller 2 information in Enphase App, check that the IQ Gateway and the Internet connection are

SAFETY

IMPORTANT SAFETY INSTRUCTIONS. SAVE THESE INSTRUCTIONS. This guide contains important instructions that you must follow during installation and maintenance of the Enphase IQ System Controller 2. Failing to follow any of these instructions may void the warranty (enphase.com/warranty).

In Case of Fire or Other Emergency

In all cases:

- If safe to do so, switch off the AC breaker for the IQ System Controller 2 circuit, and if an isolator switch is present, switch off the AC isolator for the IQ System Controller 2 circuit.
- Contact the fire department or other required emergency response team.
- Evacuate the area.

In case of fire:

- When safe, use a fire extinguisher. Suitable types are A, B, and C dry chemical fire extinguishers. Additional extinguishing media include carbon dioxide, or alcohol-resistant foams.

In case of flooding:

- Stay out of water if any part of the IQ System Controller 2 or wiring is submerged.
- If possible, protect the system by finding and stopping the source of the water, and pumping it away.
- If water has contacted the UNIT, call your installer to arrange an inspection. If you are sure that water has never contacted the battery, let the area dry completely before use.

In case of unusual noise, smell or smoke:

- Ensure nothing is in contact with the IQ System Controller 2 or in the venting area on top of the IQ System Controller 2.
- Ventilate the room.
- Contact Enphase Customer Support at enphase.com/en-us/support/contact.

Safety and Advisory Symbols

	DANGER: This indicates a hazardous situation, which if not avoided, will result in death or serious injury.
	WARNING: This indicates a situation where failure to follow instructions may be a safety hazard or cause equipment malfunction. Use extreme caution and follow instructions carefully.
	NOTE: This indicates information particularly important for optimal system operation. Follow instructions carefully.

Safety Instructions

	DANGER: Risk of electric shock. Risk of fire. Only qualified electricians should install, troubleshoot, or replace the IQ System Controller 2.
	DANGER: Risk of electric shock. Risk of fire. Do not attempt to repair the IQ System Controller 2. Tampering with or opening the IQ System Controller 2 will void the warranty. If the IQ System Controller 2 fails, contact Enphase Customer Support for assistance at enphase.com/en-us/support/contact .

Safety Instructions, continued

	DANGER: Risk of electric shock. Do not use Enphase equipment in a manner not specified by the manufacturer. Doing so may cause death or injury to persons, or damage to equipment.
	DANGER: Risk of electric shock. Do not install the IQ System Controller 2 without first removing AC power from the photovoltaic system and ensuring that the DC switch on the Enphase IQ Batteries are off. Disconnect the power coming from the photovoltaics and ensure that the DC switch on the IQ Battery batteries are off before servicing or installing.
	DANGER: Risk of electric shock. Risk of fire. Do not work alone. Someone should be in the range of your voice or close enough to come to your aid when you work with or near electrical equipment.
	DANGER: Risk of fire. Do not allow or place flammable, sparking, or explosive items near the IQ System Controller 2.
	DANGER: Risk of electric shock. In areas where flooding is possible, install the IQ System Controller 2 at a height that prevents water ingress.
	WARNING: Risk of equipment damage. IQ System Controller 2 is shipped and stored on its back. The upright position is only needed when installed.
	WARNING: You must install the IQ System Controller 2 only on a suitable wall using an Enphase wall-mount bracket.
	WARNING: Before installing or using the IQ System Controller 2, read all instructions and cautionary markings in this guide and on the equipment.
	WARNING: Do not install or use the IQ System Controller 2 if it has been damaged in any way.
	WARNING: Do not sit on, step on, place objects on, or insert objects into the IQ System Controller 2.
	WARNING: Do not place beverages or liquid containers on top of the IQ System Controller 2. Do not expose the IQ System Controller 2 to flooding.
	NOTE: Perform installation and wiring, including protection against lightning and resulting voltage surge, in accordance with all applicable local electrical codes and standards.
	NOTE: Because IQ Battery is grid forming, you must install signage in accordance with NEC articles 705, 706, and 710.
	NOTE: Using unapproved attachments or accessories could result in damage or injury.
	NOTE: Install properly rated over current protection as part of the system installation.
	NOTE: To ensure optimal reliability and to meet warranty requirements, the IQ System Controller 2 must be installed and/or stored according to the instructions in this guide.
	NOTE: The IQ System Controller 2 is compatible only with the IQ Combiner 4/4C fitted with USB hub, USB radios, and production and Consumption/PCS CTs . The IQ Combiner with the IQ Gateway inside is required for operation of the IQ System Controller 2. Earlier versions of the Enphase IQ Gateway communications gateway are incompatible.
	NOTE: The Enphase IQ System Controller 2 is intended to operate with an Internet connection through the IQ Gateway. Failure to maintain an Internet connection may have an impact on the warranty. See Limited Warranty for full terms and services (enphase.com/warranty).
	NOTE: When replacing an Enphase IQ System Controller 2, you must replace it with an IQ System Controller 2 of the same type, with the same AC current rating.
	NOTE: Properly mount the IQ System Controller 2. Ensure that the mounting location is structurally suited to bearing the weight of the IQ System Controller 2.
	NOTE: During use, storage, and transport, keep the IQ System Controller 2: <ul style="list-style-type: none"> • Properly ventilated • Away from water, other liquids, heat, sparks, and direct sunlight • Away from excessive dust, corrosive and explosive gases, and oil smoke • Away from direct exposure to gas exhaust, such as from motor vehicles • Away from falling or moving objects, including motor vehicles. If mounted in the path of a motor vehicle, we recommend a 91cm (36-inch) minimum mounting height • In a location compliant with fire safety regulations • In a location compliant with local building codes and standards
	NOTE: IQ System Controller 2 is not suitable for use as service equipment in Canada.

Environmental Protection



ELECTRONIC DEVICE: DO NOT THROW AWAY. Waste electrical products should not be disposed of with household waste. Refer to your local codes for disposal requirements.