

CHIKOUSA

CK- | STEEL SOLAR CARPORT | GAZEBO



MAXIMO-185 (1-CAR) STEEL SOLAR CARPORT | GAZEBO INSTALLATION MANUAL

VERSION: 02.30.26 | ENG

WARNING**Photovoltaic Hazard Control &
Structural Building Safety****(To Reduce Risk of Injury-Read and Follow All Instructions)**

The installation of solar electric panels should only be performed by trained and qualified personnel. Unauthorized persons and children should not be allowed near the solar electric installation. Follow all permit, installation, and inspection requirements to include all applicable local, regional, and national electrical codes. Follow the safety precautions of all other system components.

Structural installation shall comply with all relevant local government standards, manufacturer's instructions and specification and safe building practices.

Follow the risk management process prior to commencing work- including identifying all potential hazards and assessed risks while eliminating or mitigating them from the jobsite.

Consult with all approved competent parties who will be involved in working on the jobsite. Develop safe working procedures for installing the structure and the solar panels using information obtained during the risk management process.

Wear all required Personal Protective Equipment during every phase of construction.

Always use equipment/tools/machinery safely and properly. Components are designed for "single use only", i.e. not for multiple construct and deconstruct projects.

Maintenance can only be performed by qualified personnel

- Any loose components or fasteners shall be re-tightened in accordance with these instructions
- Any components showing signs of damage shall be replaced immediately

Always use the most recent version of the installation manual before installing your Carport/Gazebo. The installation Manual is subject to change without notice. Please consult with CHIKOUSA to ensure you are utilizing the latest Install Manual.

BRIEF DESCRIPTION

The CHIKOUSA Steel Carport/Gazebo is a robust solar carport that can accommodate a wide range of panel sizes, with a max (North/South or Up/Down) span of 270". This structure can be installed with a 2-3 person crew, without the need of any heavy duty tools. The Installation should always be completed by trained professional and/or qualified individuals, who have been adequately instructed and trained about the tasks involved with the installation, including the usage of protective devices, protective measures, relevant provisions, safety regulations and local operating site conditions and have proven competence in all areas of the installation.

Please read carefully this installation manual and all other applicable documents before starting your installation. Please contact CHIKOUSA with any questions that you may have.

MAINTENANCE

1. When signs of rust appear, or when the paint is peeled or removed, you must take steps to remove the rust and paint the affected areas.
2. You must check the bolts once a year ensuring all connections are secure, and after any major storm or weather occurrence. Tighten all bolts according to torque specs.
3. If the columns of the structure are hit, you must replace the columns of the structure immediately.

WARNING

If any structural component of the system to include the column, beam, base plate, or rail are damaged they must be replaced immediately.

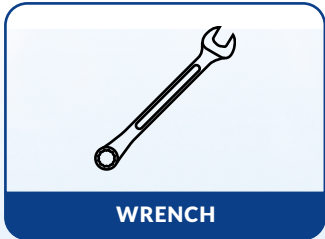
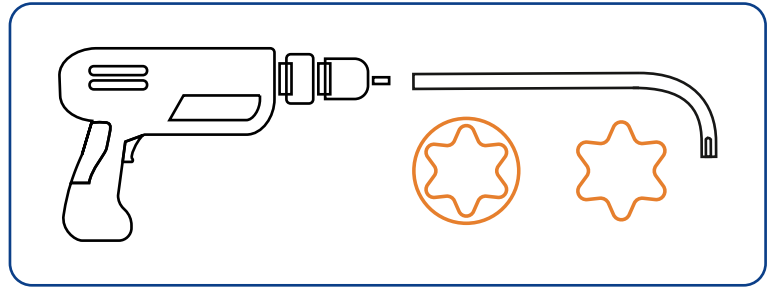
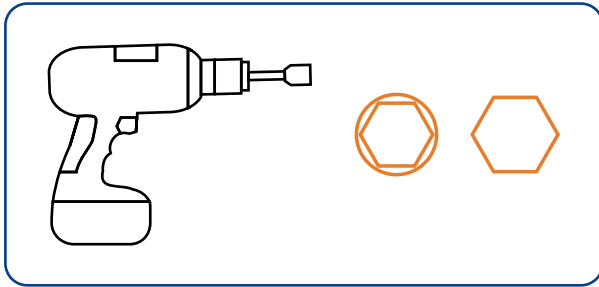
FOOTER WARNING

Anyone who plans to dig should call 811 or visit their state's 811 center's website a few business days before digging to request that the approximate location of buried utilities be marked with paint or flags so that you don't unintentionally dig into an underground utility line.

MEASUREMENT NOTE

Some measurements have been converted from MM to Inches. The accuracy of measurement can vary slightly from mm to inches. Some measurements are available in MM for detailed accuracy. The most critical measurement required is the Base Plate placement location. Please review the Construction Drawings for the Base Plate and Base Plate locations prior to installation.

REQUIRED INSTALLATION TOOLS



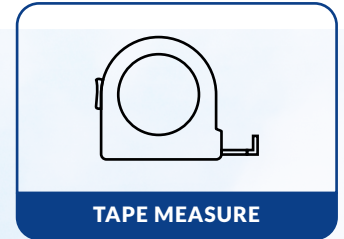
WRENCH



GLOVES



CHALK LINE



TAPE MEASURE



RUBBER MALLET



HARDHAT



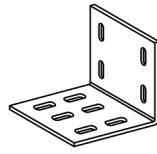
SAFETY GLASSES

MAIN COMPONENTS

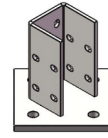


137³/₄"

U RAIL



C-CHANNEL FIX KIT

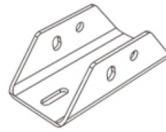


BASE PLATE



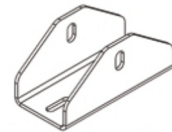
7⁷/₈"

U-RAIL SPLICE



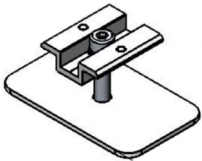
10³/₁₆"

TOP COLUMN ADAPTER

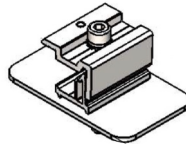


10³/₁₆"

DIAGONAL BRACE ADAPTER



MID-CLAMP



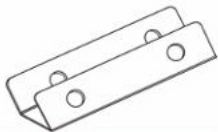
END-CLAMP



RUBBER PANEL GASKET

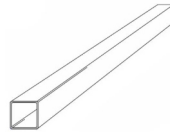


RUBBER STRIPPING



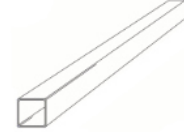
16¹/₂"

LOW BEAM/DIAGONAL BRACE ADAPTER



111"

FRONT COLUMN



126¹/₂"

REAR COLUMN



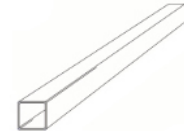
224⁷/₁₆"

L-ANGLE SUPPORT



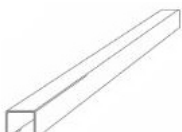
228⁵/₁₆"

TOP SUPPORT BEAM



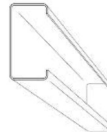
168¹/₁₆"

LOWER HORIZONTAL BEAM



47¹/₄"

DIAGONAL BRACE



143³/₄"

C-CHANNEL

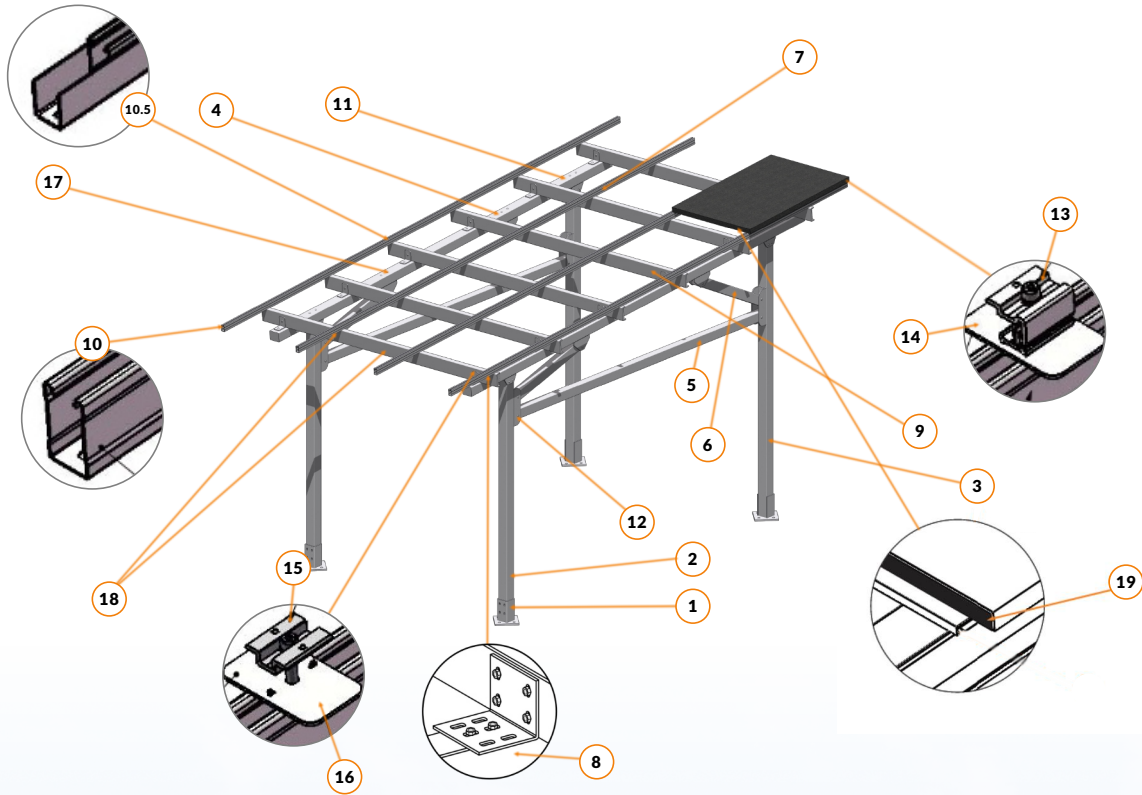
NOTE

Customer needs to source materials for footings based on structural engineer specifications.

MAIN COMPONENTS

Overview

The following is a diagram that lists the main components of the CK- Carport System.



No	Description	QTY
1	Base Plate	4
2	Front Column 111"	2
3	Rear Column 126 1/2"	2
4	Top Support Beam 228 3/16"	2
5	Lower Horizontal Beam 168 1/16"	2
6	Diagonal Brace 47 1/4"	4
7	L-Angle Support 224 7/16"	1
8	C Channel Fix Kit	12
9	C-Channel 143 3/4"	6
10	U-Rail 137 3/4"	8

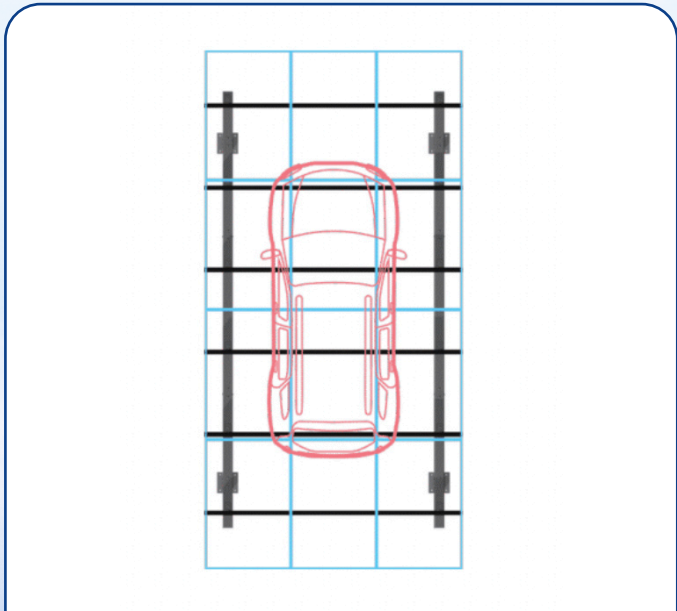
No	Description	QTY
10.5	U-Rail Splice	4
11	Top Column Adapter 10 3/16"	4
12	Low Beam & Diagonal Brace Adapter 16 1/2"	4
13	End Clamp	24
14	End Clamp Share Plate	24
15	Mid Clamp	24
16	Mid Clamp Share Plate	24
17	Diagonal Brace Adapter 10 3/16"	4
18	Rubber Gasket	
19	Rubber Strip	



FRONT VIEW



SIDE VIEW

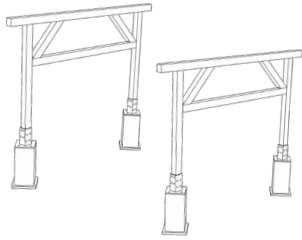

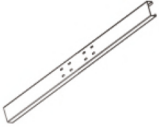



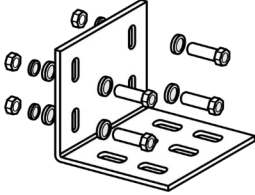
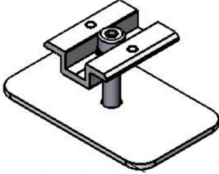
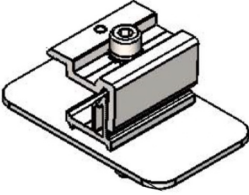
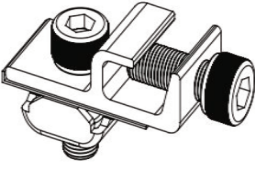
OVERHEAD VIEW



9 OR 12 SOLAR PANELS

COMPONENTS LIST

CAT	Picture	Description Part	Details	QTY
1		Carport Support Structure	Front Columns	2
			Rear Columns	2
		CK-ZEM-CP3-5	Base Plate	4
		<u>COLUMNS</u>		
		CK-001-016-014	Top Support Beam	2
		<u>BEAMS</u>		
		GT-001-016-014	Top Column Adapter	4
		Base 'Plate'	Lower Horizontal Beam	2
		CK-GT-001-016-805	Diagonal Brace	4
		GT-001-016-805	Low Beam & Diagonal Brace Adapter	4
		Column/Beam Adapters	HDG Bolt M16*180	80
		Beam	HDG Nut M16	80
		CK-GT-001-016-014	HDG Washer M16	160
Column	HDG Spring Washer M16	80		
CK-001-016-014				
2		U Rail	U Rail 137 3/4"	8
		CK-ZEM-U72-2.5-3500	M10*30 Nut & Bolt Set	24
3		U Rail Splice	U Rail Splice	4
		CK-009-1062	M10*30 Nut & Bolt Set	16
4		Rubber Strip	Rubber Strip	
CK-IP-160-1133				
5		Rubber Gasket	Rubber Gasket	
CK-WG-083-7250				
6		'C' Channel	C-Channel 143 3/4"	6
CK-PL-C140-001-016-6000				

CAT	Picture	Description Part	Details	QTY
7		L Angle Support	224 3/8"	1
8		C Channel Fix Kit CK-PL-GT001-016-14	C Channel Fix Kit	12
			HDG Bolt M10*35	48
			HDG Bolt M16*180	24
			HDG Nut M10	48
			HDG Nut M16	24
			HDG Washer M10	96
			HDG Washer M16	48
			HDG Spring Washer M10	48
			HDG Spring Washer M16	24
9		Mid Clamp Mid Clamp Share Plate	Mid Clamp	24
			Mid Clamp Share Plate	24
			Self Tapping Screw	24
			SS304 Bolt M8*45	24
			SS304 Spring Washer M8	24
10		End Clamp End Clamp Share Plate	End Clamp	24
			End Clamp Share Plate	24
			Self Tapping Screw	24
			SS304 Bolt M8*45	24
			SS304 Spring Washer M8	24
11		Grounding Lug CK-GTC-R2	Grounding lug - weeb lug 8.0	6
			SS304 outer hex bolt 1/4" *0.6"	6
			SS304 inner hex bolt M8*20	6
			SS304 inner hex bolt M8*20	6

INSTALLATION STEPS

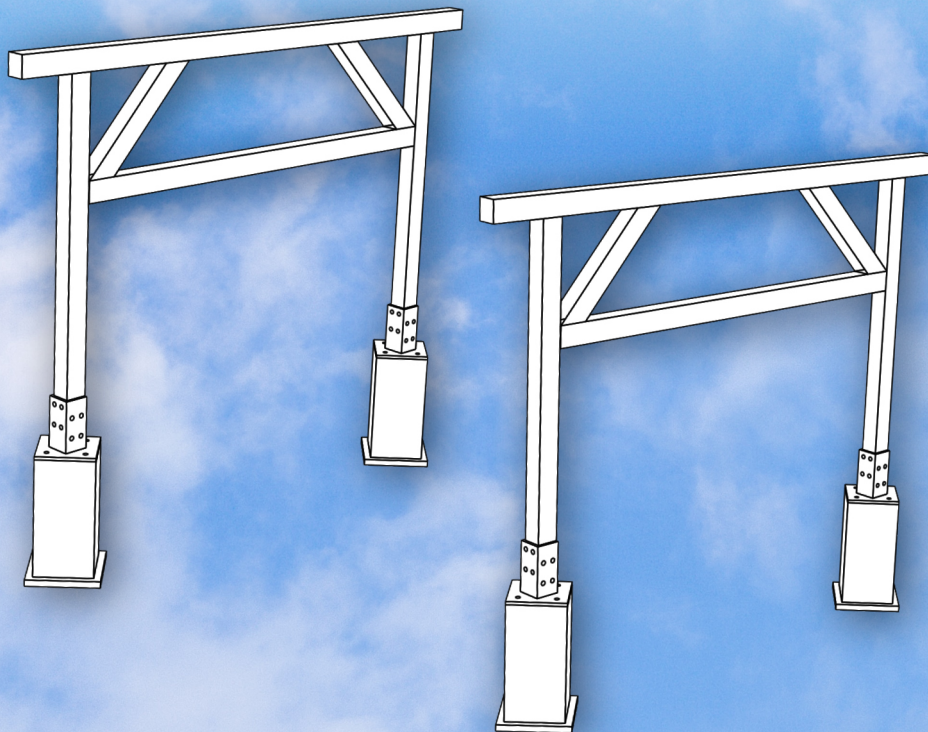
1. Build Base

Solution A, Build base

- ✓ Mark footer location according to the diagram. Verify all angles are square (See Attached Planset).
- ✓ Dig footers and make base with anchor bolts according to site conditions and system specifications and based on your structural engineer instructions for foundations requirements.
- ✓ If the ground is unlevel, ensure that all footer placements are level and at the same height regardless of the terrain elevation. Never install the structure tilted, the columns must always be straight.
- ✓ The structure's foundations should be calculated taking into account site conditions, soil type, seismic conditions, maximum wind and snow loads for the site location and the product mechanical loading specifications. In some cases, a geotechnical study is required. Please consult with your local structural engineer.
- ✓ In areas subject to freezing, footer depths may have to increase to resist freeze heave. Always consult a structural engineer to confirm footer depth and dimension.

Solution B, Concrete anchors

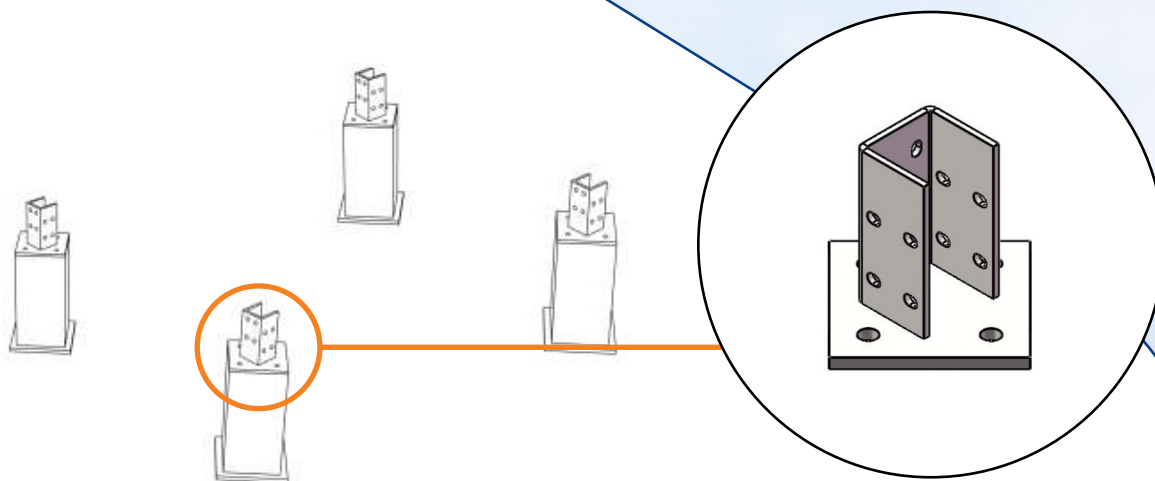
- ✓ Concrete anchors can be utilized if approved by a structural engineer.



2. Install Base Plates

- ✓ Slide the column base plate over the concrete anchors and secure them. If you are using leveling nuts to level the column base plate. Correct any shifting if needed and repeat for the other three column base plates. Fill the gap between the base plate and the footing with Dry-pack non-shrink grout.
- ✓ Verify the distance between the front and rear column conform with the attached planset.

Products Name	Quantity
Base	4

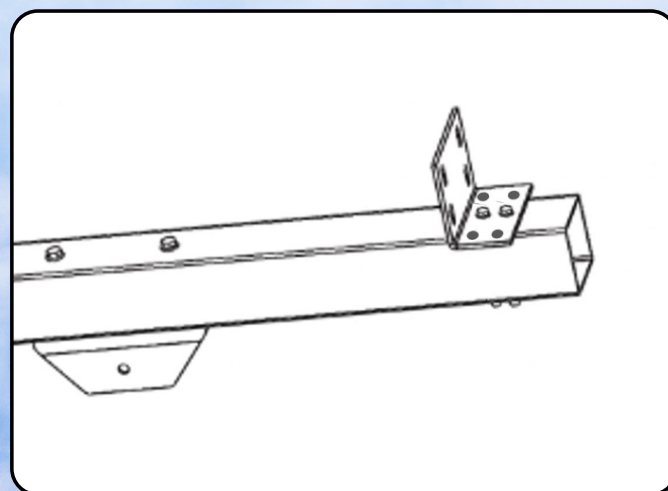
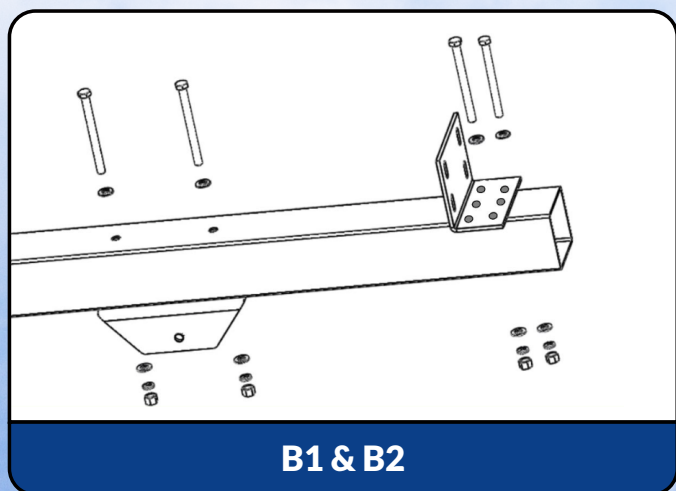
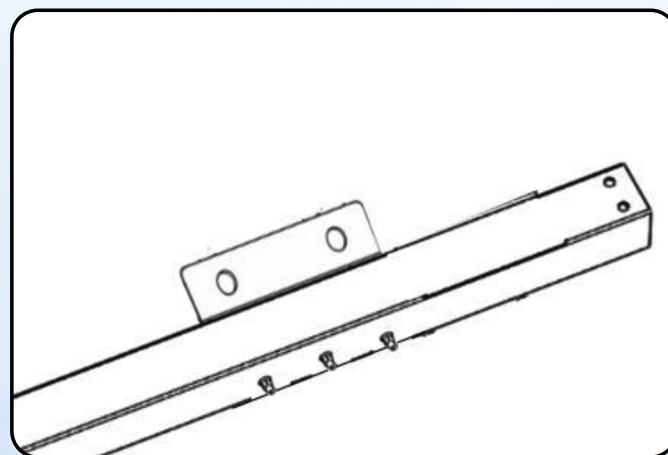
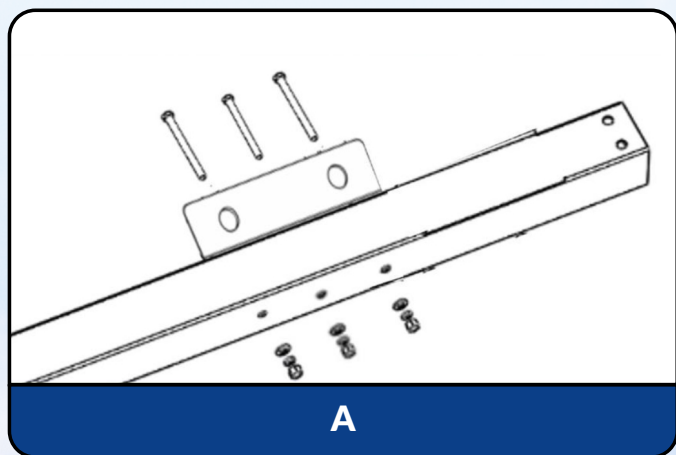


3. Fix Adapter

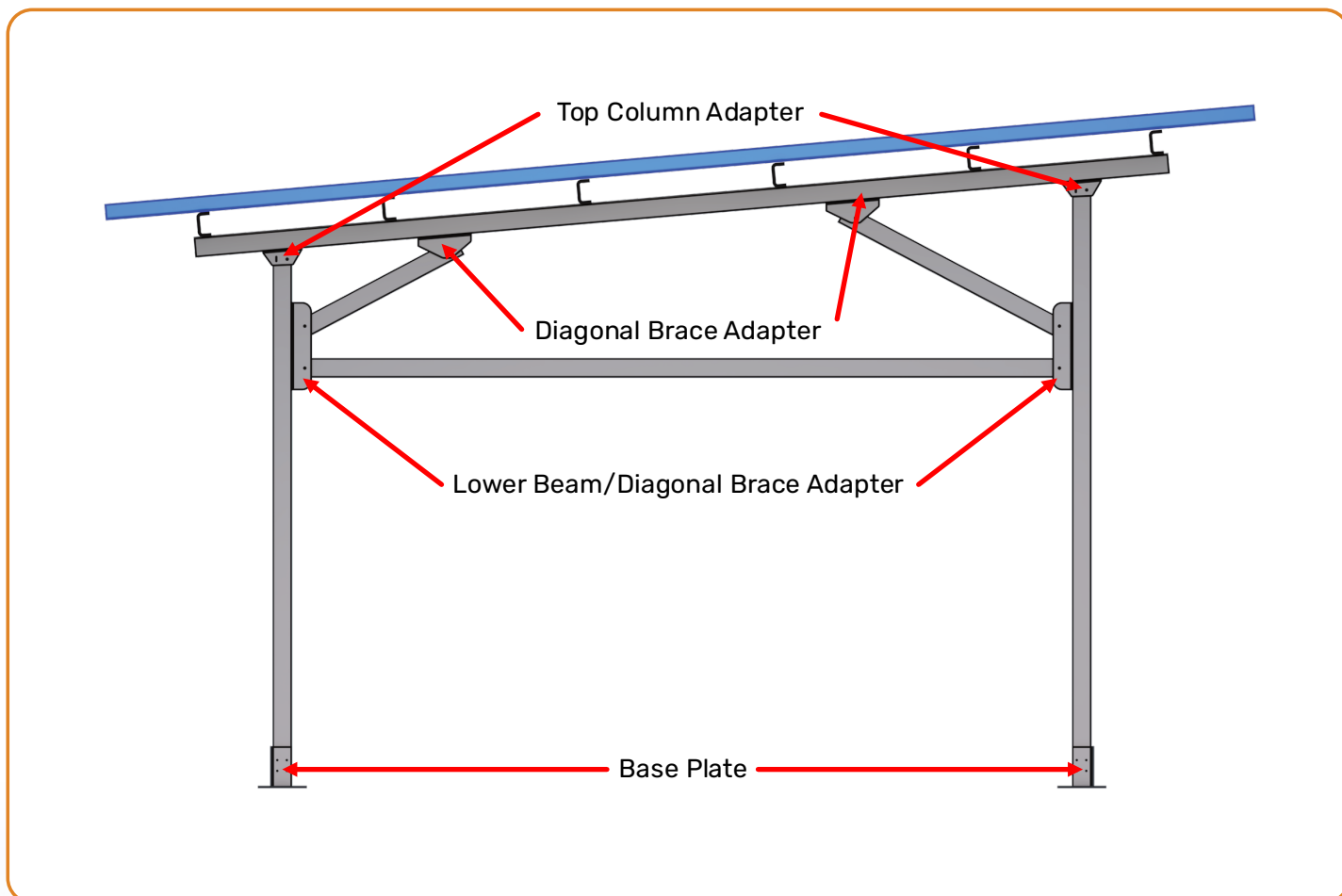
- ✓ A . Fix Low Beam/Diagonal Brace Adapter to Front & Rear Columns
- ✓ B1. Attach C-Channel Fix Kit to Support Beam
- ✓ B2. Attach Top Column Adapter to Support Beam

Front Column: 111"
 Rear Column: 126 1/2"
 Low Beam/Diagonal Brace Adapter: 16 1/2"
 Top Column Adapter: 10 3/16"
 Support Beams: 228 5/16"

Products Name	Quantity
Top Column Adapter	4
M16*180mm Bolt Kits (1 big flat washer + 1spring washer + 1 nut)	32
Lower Horizontal Beam/Diagonal Brace Adapter	4
C-Channel Fix Kit	12



Adapter Placement Diagram

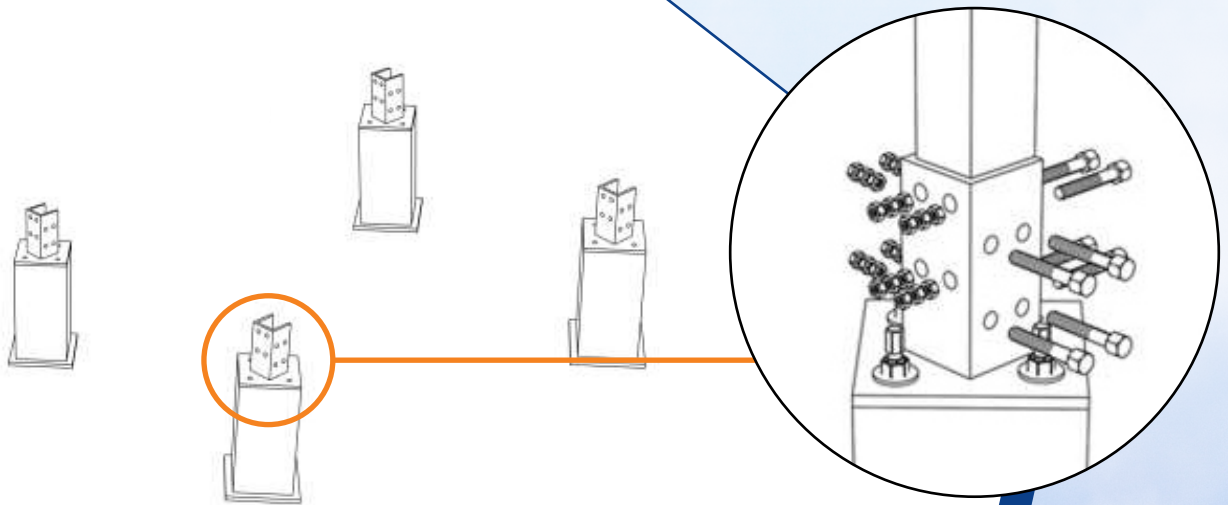


Please Note: The Top Column adapter has an oval and a round shaped hole. The oval should be facing closest to the low side of the structure on both the front and rear column.

4. Connect Columns

✓ Attach Columns to base plate

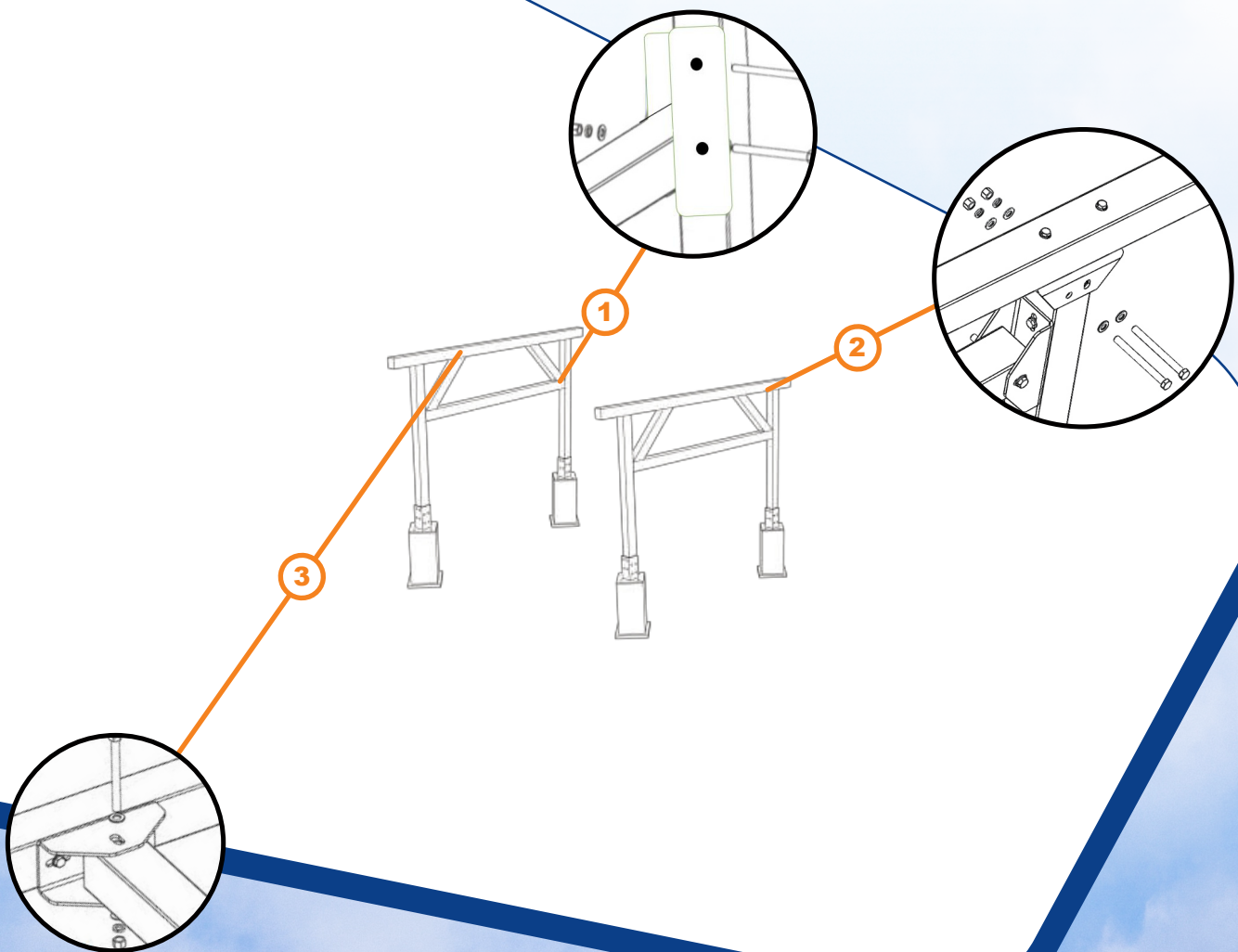
Products Name	Quantity
Front Columns --- 111"	2
Rear Columns --- 126 ½"	2
M16 *180mm Bolt Kits (1 flat washer + 1 spring washer + 1 nut)	16



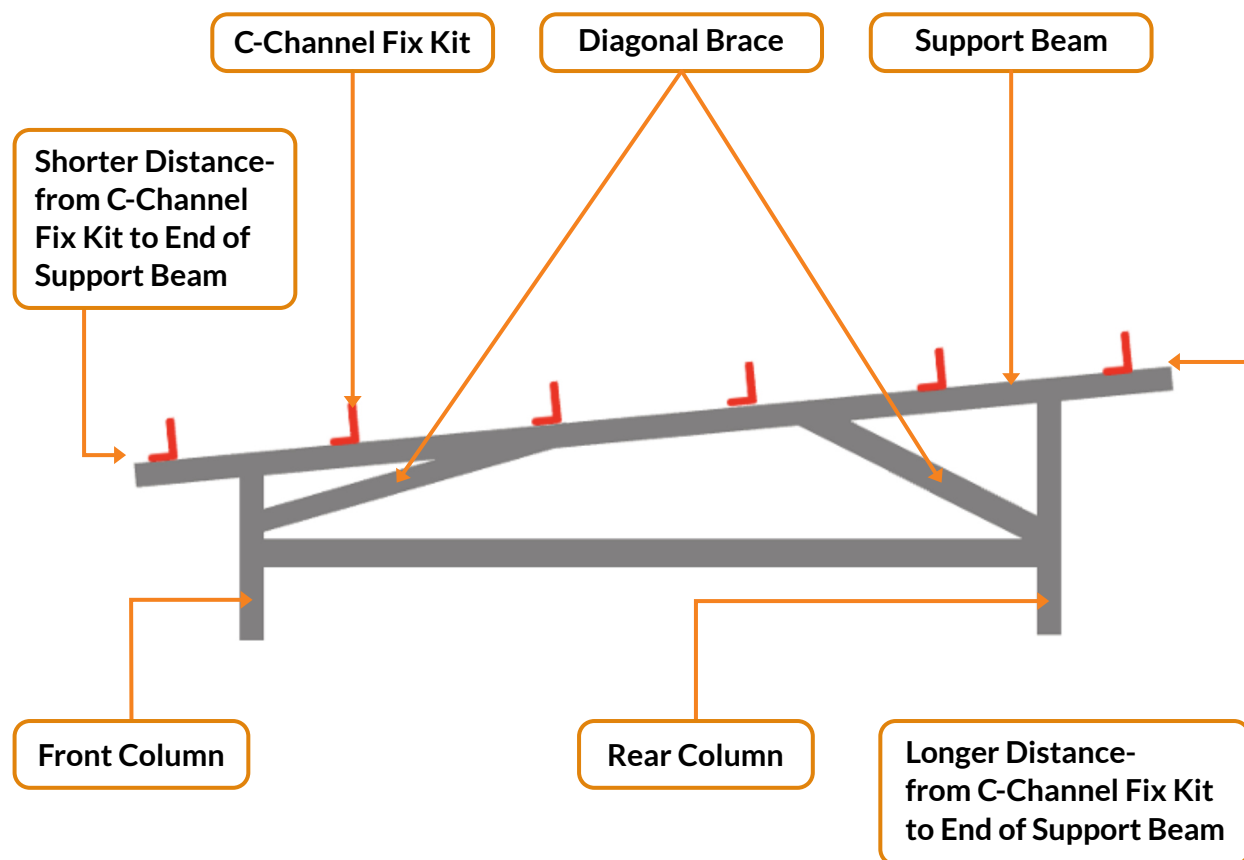
5. Connect Beams

- ✓ Connect Lower Horizontal Beam to front and rear Columns
- ✓ Connect Support Beam between front and rear columns on top
- ✓ Connect Diagonal Brace between Support Beam and Column

Products Name	Quantity
Lower Horizontal Beam 168 ¹ / ₁₆ "	2
Top Support Beam 228 ⁵ / ₁₆ "	2
Diagonal Brace 47 ³ / ₁₆ "	4



5. Connect Beams (Continued)

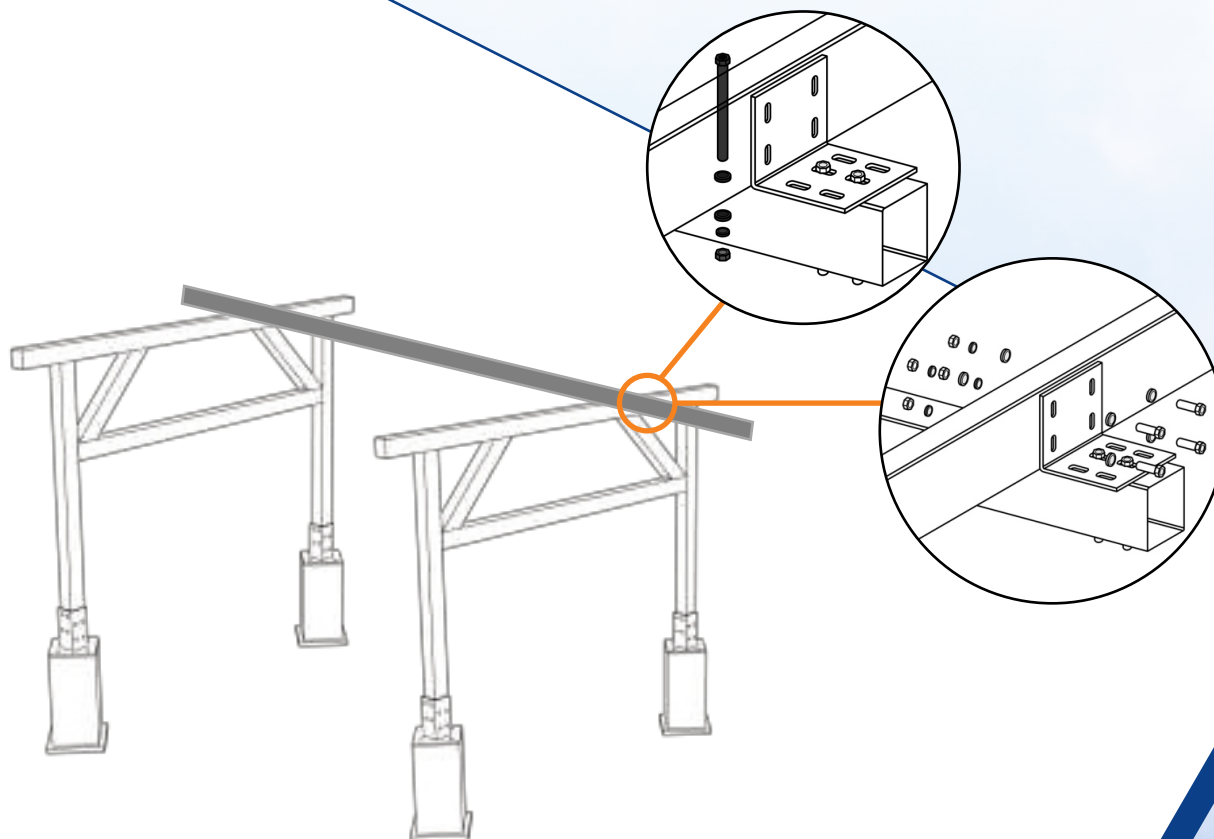


When connecting the Support Beam to the front and rear columns ensure the orientation matches the above image. The low side of the Support Beam will have a much shorter distance from the C-Channel Fix kit to the end of the Support Beam whereas the high side will have a greater distance from the end of the Support Beam to the C-Channel Fix Kit.

6. Fix C Channel

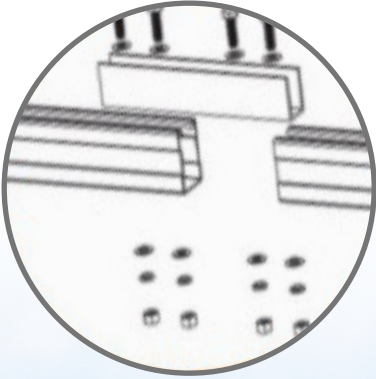
- ✓ Use C-Channel Fix Kit to connect C-channels to Top Support Beam
- ✓ Use M10 35mm Bolt Kits (1 flat washer + 1 spring washer + 1 nut)
- ✓ Use M16 180mm Bolt Kits (1 flat washer + 1 spring washer + 1 nut)

Products Name	Quantity
C Channel --- 143 ³ / ₄ "	6
C-Channel Fix Kit	12
M10 35mm Bolt Kits (1 flat washer + 1 spring washer + 1 nut)	48
M16 180mm Bolt Kits (1 flat washer + 1 spring washer + 1 nut)	48



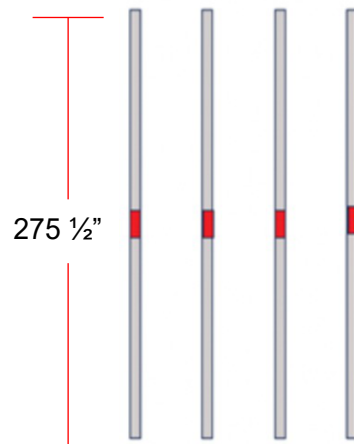
7. U-Rail Construction

1. Connect 2 U-Rails using the U-Rail Splice. The U-Rail will have pre-drilled holes at the ends of the U Rails where the splice connects using Hex Bolt M10*30 Once the U-Rails are connected the rail count will be 13qty. The U-Rail will also have 6 existing holes that will line up with the top of the C-Channels.



Products Name	Quantity
U-Rails 137 ³ / ₄ "	8
U-Rail Splice Kits	4
Mid Clamps	24
End Clamps	24
M10*30 Bolt Kits	40

U-Rail Configuration



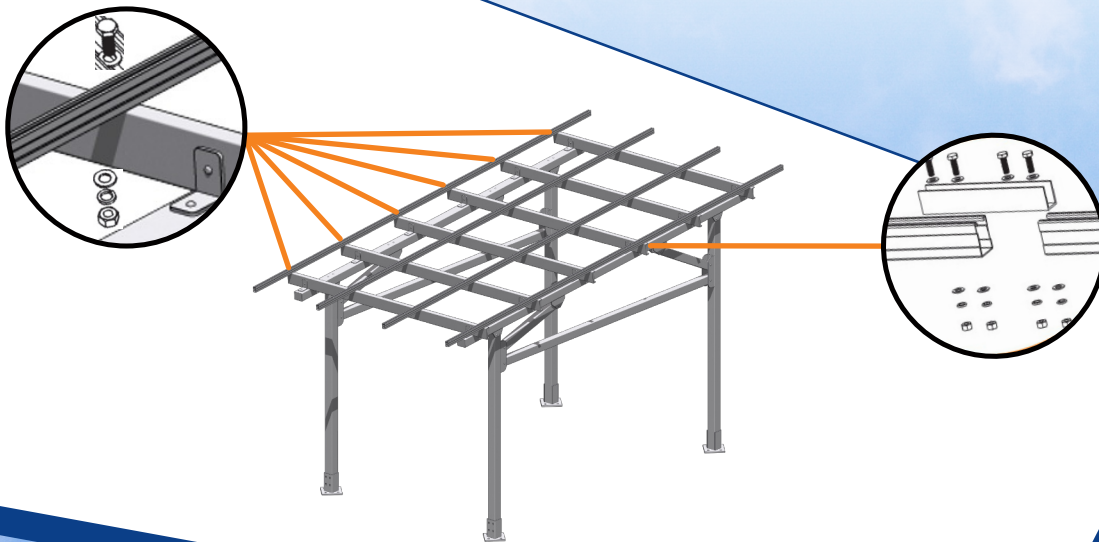
■ = Splice Location

8. Fix U Rail

1. Determine your 1st U-Rail attachment location on top of the C-Channels by utilizing the attached Math Module Placement Guide (you can start at either end) Your module width will determine your U-Rail attachment location. Once you determine the starting point for the 1st U-Rail ensure the starting distance is equal on the top C-Channel And the bottom C-Channel. You can mark all holes and drill C-Channel connection points.
2. Once your 1st U-Rail is secure, place end clamps into this U-rail.
3. Place a second U-rail on top of the C-channels with Mid-Clamps installed. Do not secure 2nd U-rail to C-channels until you verify the mounting distance between U-Rails is correct. Verify mounting distance Between U-Rails by mounting one module and ensuring proper spacing between of U-rails. The module should fit tight and should be square. Once verified attach 2nd U-Rail to C-channels using 6 Hex Bolts M10*30.
4. Install the remaining U-rails connected and spliced U-Rails on top of C-Channels using 6 Hex Bolts M10*30 for each U-Rail.

Please Review Math Calculation in Appendix

Products Name	Quantity
U Rails 137 ³ / ₄ "	8
M10*30 Bolt Kits	24

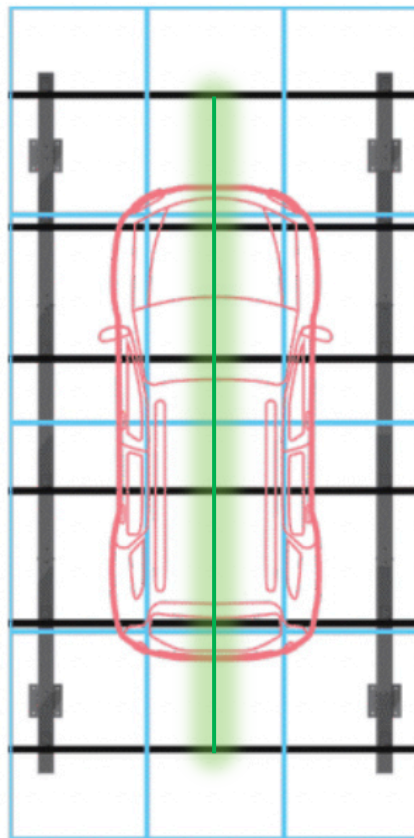


9. Install L-Angle Supports

L-Angle supports provide continuous stability and reduce any twisting or settling that may occur within the C-channel system. The L-Angle supports are attached to the bottom-center of the C-Channels using M8 screws. Each L-angle support will be attached with 6-qty M8 screws at 6 separate contact points on six separate C channels. The L-Angle support will run Perpendicular to the C-Channels and parallel to the Top Support Beam. The L-Angle supports will be installed in the center of each car bay (See Diagram Below).

Products Name	Quantity
L-Angle Support 224 ⁷ / ₁₆ "	1
M8*30 Bolt Kits	6

L-Angle Support Installation Locations



 = L-Angle Support

10. Install Solar Panels (With or Without Waterproofing)

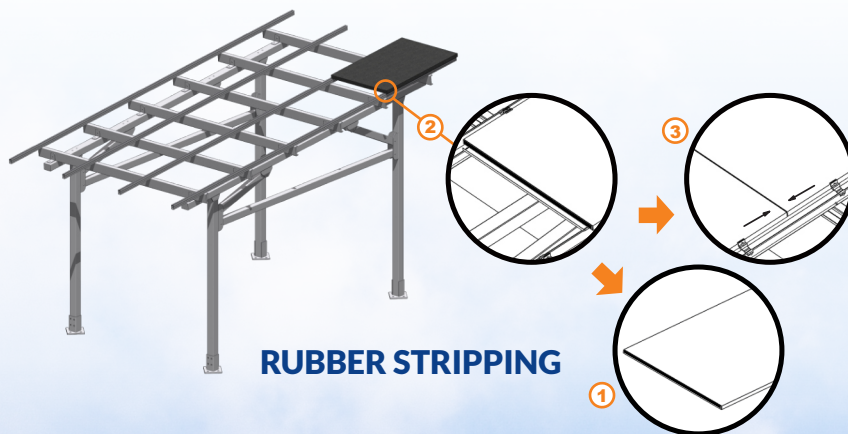
NOTE: The peel and stick rubber stripping is different than the Rubber Panel Gasket, the Rubber Panel Gasket is much bigger and thicker.

For Installation Without Waterproofing - Select a start point at one of the four corners, tightening the end clamps only to hold the module in place. Install one complete column of 3 or 4 modules (depending on your array size). Now install adjacent column by tightening the adjoining Mid clamps. Repeat this same process until all modules are installed. (Note: Tighten all end and mid clamps to torque specs.)

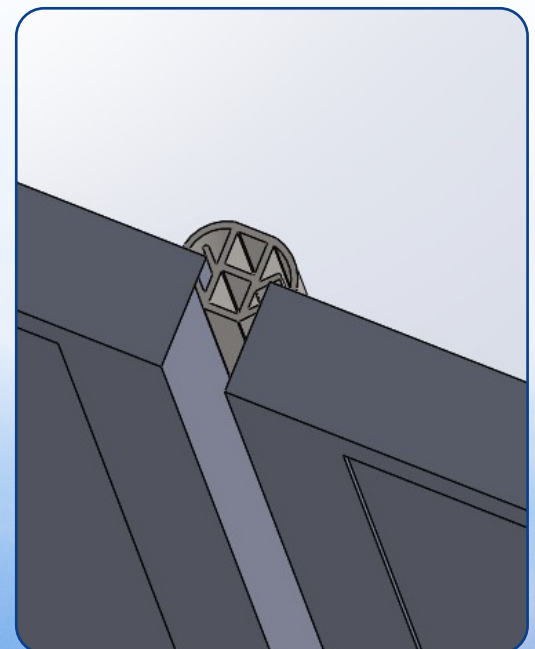
For Installation With Water Proofing - If using the rubber stripping for waterproofing, measure the width of the panel and cut the stripping to fit on the short side of the panel. Once cut, peel the paper off of the rubber stripping exposing the sticky adhesive. Place the sticky adhesive on the short side of the selected panels. Use 1 strip per seam or joint where 2 panels meet on the short sides of the panels. Do not apply more than one rubber strip per seam (every 2 panels gets 1 seam). Panels will share 1 rubber strip at locations where panels meet.

Once the Rubber Strip is attached, start the panel installation by placing one panel on top of the U-Rails, at one of four carport corners and tighten the end clamps. Repeat rubber stripping installation process for next panel. The next panel installed will be placed above or below the 1st panel installed depending on where you started, also only tighten the end clamp. Complete one column of panels 3 or 4 high, only tightening the end clamps. Once you have one column complete begin the next column installation with the column adjacent to the first column installed. Once the adjacent panels are placed next to the first column, tighten the mid clamps associated with the two columns.

Once 2 columns of panels are installed and mid clamps are all tightened to torque specs install the Rubber Panel Gasket in the seam that runs parallel to the U-Rails. Measure and Cut the Rubber Panel Gasket in order to accommodate for the Mid Clamp locations. Once measured and cut push the Rubber Panel Gasket down between the panel gap. Complete this process for all of the open gaps between panels. Ensure installation of Rubber Panel Gasket occurs after every interior column is installed to allow for physical access to the open gaps between panels that is to be covered by the Rubber Panel Gasket. The Rubber Panel Gasket will only be installed on the interior gaps that are running parallel with the U-Rails, on top of adjoining panels. Gently push the Rubber Panel Gasket down between panels until the top of the Rubber Panel Gasket is seated on top of the panels. There should be no gap between the bottom sides of the Rubber Panel Gasket and the top section of the panel frames.



RUBBER STRIPPING

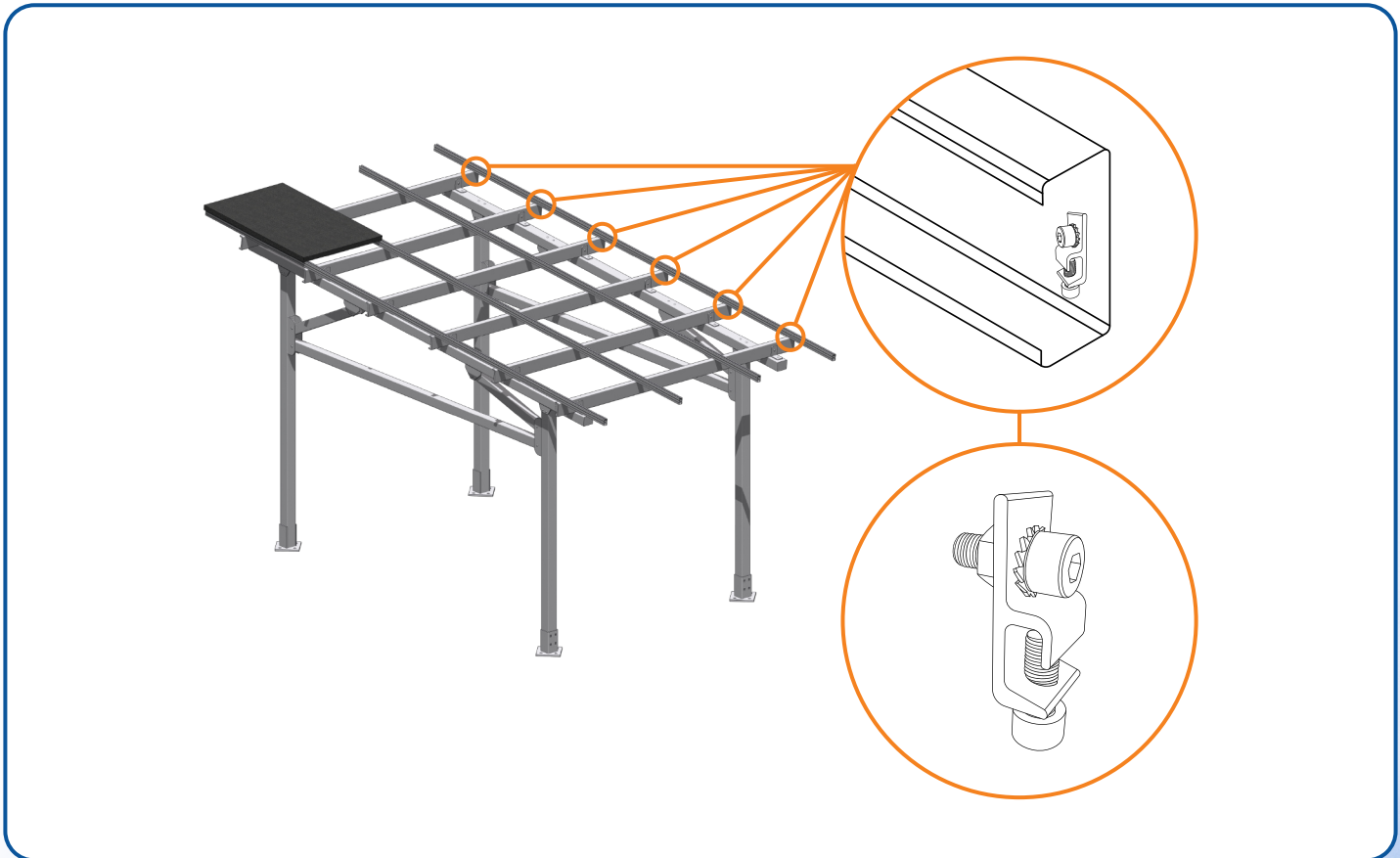


RUBBER GASKET

Products Name	Quantity
Modules	9 or 12
Rubber Stripping	1 Roll
Rubber Panel Gasket	1 Roll

11. Grounding- Lug and Wiring

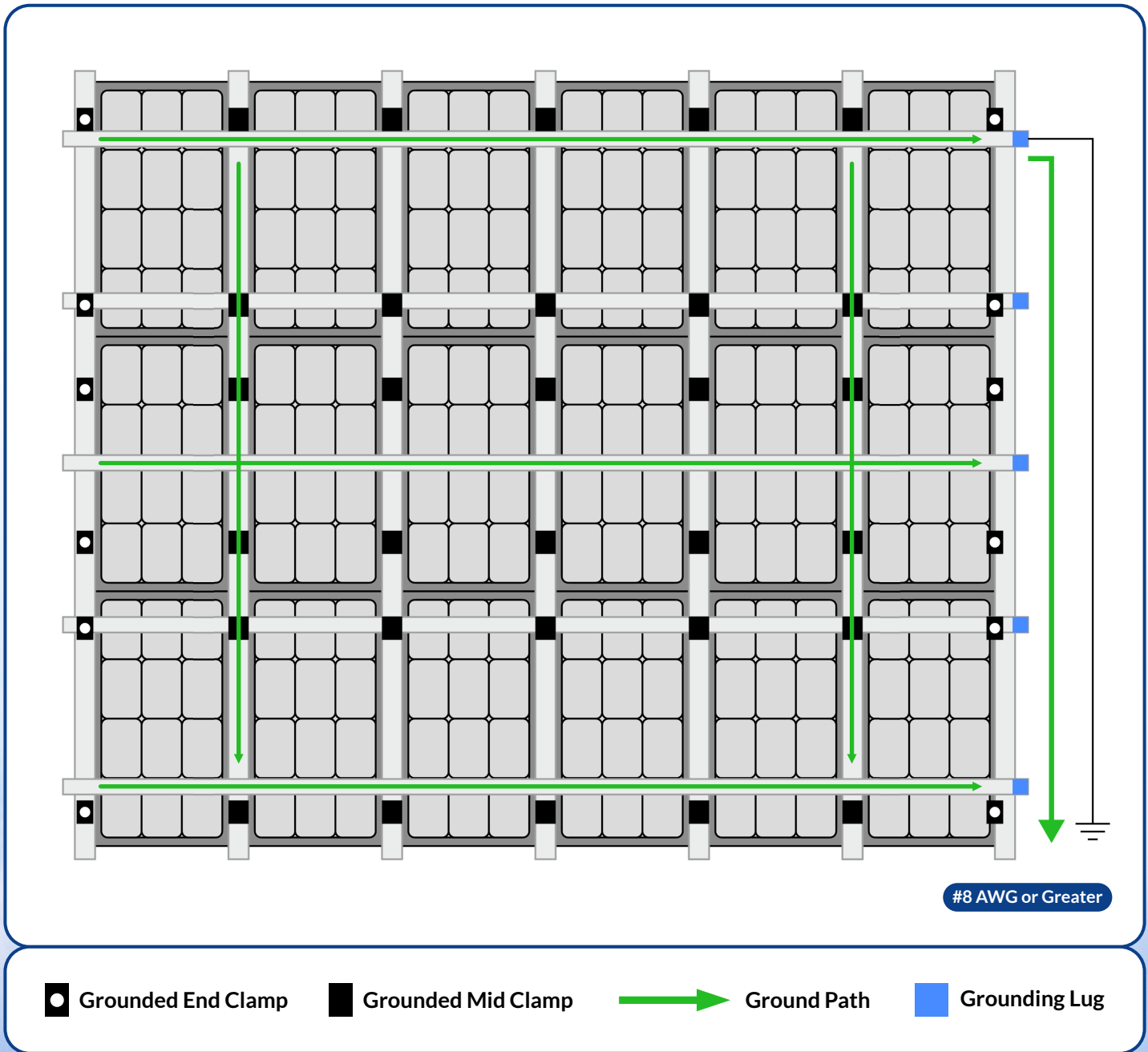
Install grounding lug at end of C-Channel on side of array that is most optimal for wire management. Ensure that all paint and any debris is removed from bonding site to achieve proper bonding connection. Attach each ground lug with a stainless steel nut then cross 8.4mm² or greater than or equal to 8AWG copper wire through all 6 grounding lugs (fixed by M8*20 inner hex bolt), finally connect copper wire to the ground. The grounding lug completes a grounding function when fastened tight to connect all 6 C-Channels and copper wire.



Electrical Characteristics of AWG Copper Wire

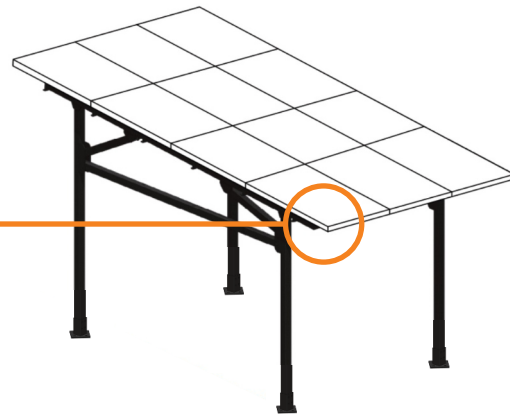
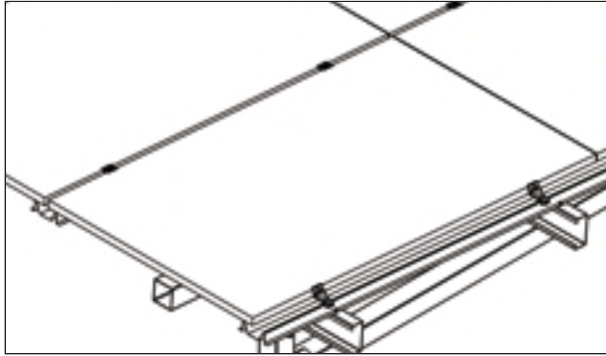
AWG	Diameter [inches]	Diameter [mm]	Resistance [Ohm / 1000ft.]	Resistance [Ohm / km]	Max Current [Amperes]	Max Frequency for 100% skin depth
6	0.162	4.1148	0.3951	1.295928	37	1100 Hz
7	0.1443	3.66522	0.4982	1.634096	30	1300 Hz
8	0.1285	3.2639	0.6282	2.060496	24	1650 Hz
9	0.1144	2.90576	0.7921	2.598088	19	2050 Hz
10	0.1019	2.58826	0.9989	3.276392	15	2600 Hz

Grounding - Lug and Wiring Diagram



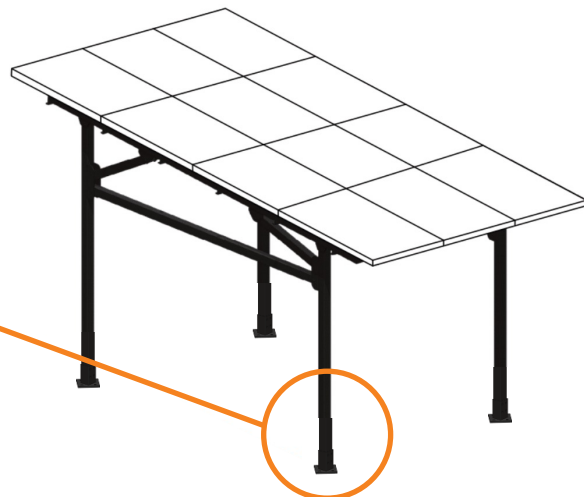
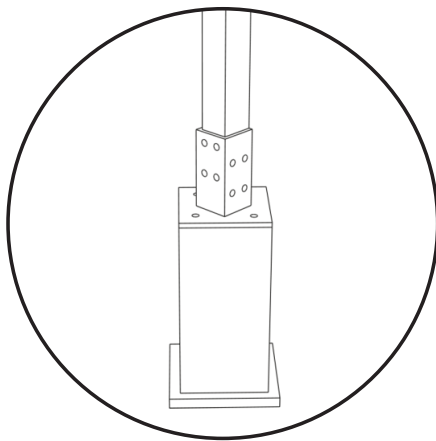
12. Final Check

- ✓ Check and verify that all components are properly fastened and installed properly in their correct positions and locations.
- ✓ Verify and re-adjust all components as needed within the structure.



13. Hide Footing (Optional)

- ✓ Cladding of 4 bases is an option with engineer approval.



TORQUE SPECIFICATION 1-CAR CARPORT

	Grounding Lug	Fix M Rail to C Purlin Screw M6.3 X 25	Mid/End Clamp M8	C Rail Splice Kit M 10 * 30	Rail Fix Kit to Column M16	Rail Fix Kit to C Rail M10	Structure (incl Column Adapter, Base Plate M16
Torque in N-m	6	12	16	28	30	34	40

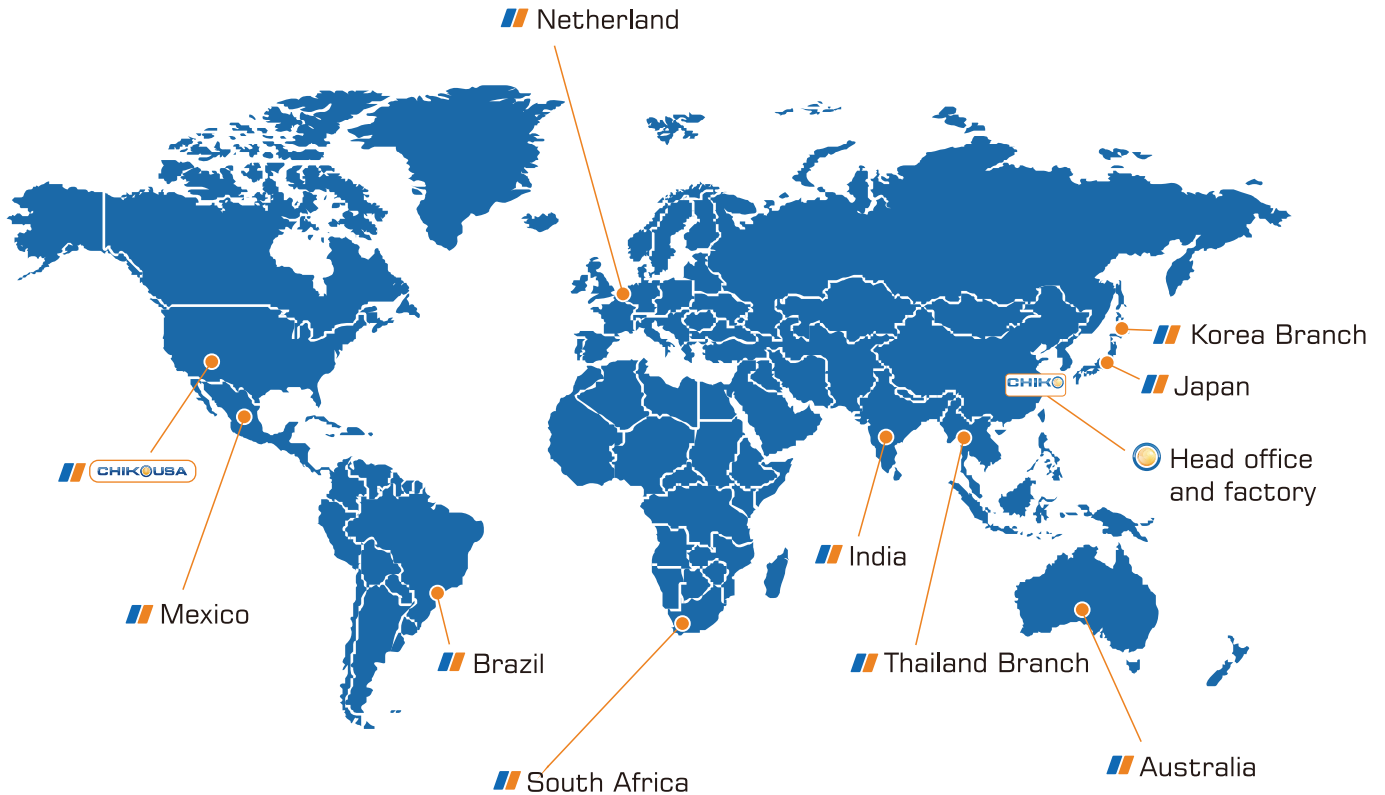
Note : The above values are expressed as N-m,- "Newton-meter"

	Grounding Lug	Fix M Rail to C Purlin Screw M6.3 X 25	Mid/End Clamp M8	C Rail Splice Kit M 10 * 30	Rail Fix Kit to Column M16	Rail Fix Kit to C Rail M10	Structure (incl Column Adapter, Base Plate M16
Torque in ft/lb	4.5	9	12	21	22.5	22.5	30

Note : The above values are expressed as "foot-pound"

WORLDLEADING

M A N U F A C T U R E



CHIKOUSA
RACKING MADE SIMPLE

Tel : 1-800-948-5390

Email : info@chikousa.com

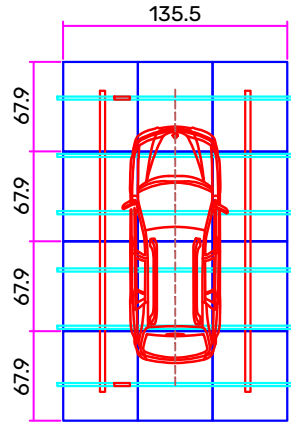
www.chikousa.com



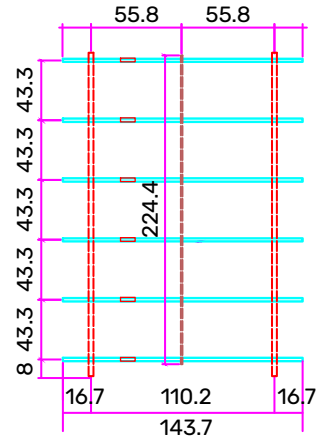
16413 North 91st Street
STE C-115
Scottsdale, AZ 85260

MAXIMO 185 ONE CAR CARPORT

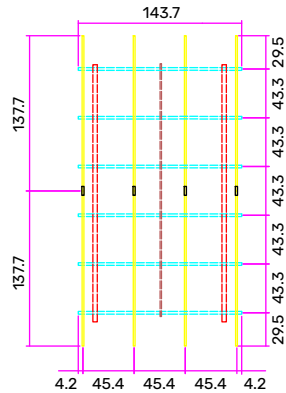
Panel Layout : 3X4



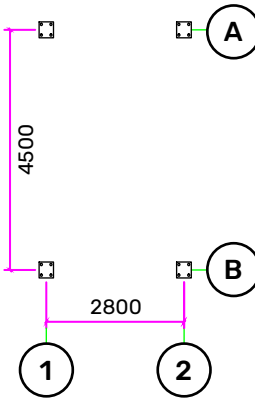
C Channel Layout



C Channel & U Rail Layout



Foundation Layout



Layout : 3X4

BOM

NO	DESCRIPTION	QTY
1	Support Rack	2
2	End Clamp	24
3	End Clamp share plate	24
4	Mid Clamp	24
5	Mid Clamp share plate	24
6	C Rail fix kit	12
7	C-Channel 143 3/4"	6
8	U-Rail 137 3/4"	8
9	U-Rail Splice	4

Design Factors :
 Module Dimensions : 1724*1134*34
 Tilt Angle : 5°
 Front Clearance : 111
 Wind Speed :
 Snow Load : --

Modify by	Doc No.	Data	Des	J. Burton	241105
			Drw		
			Check		
			Craft		
			App		

CHIKOUSA

Maximo 185

Maximo185 1-Car

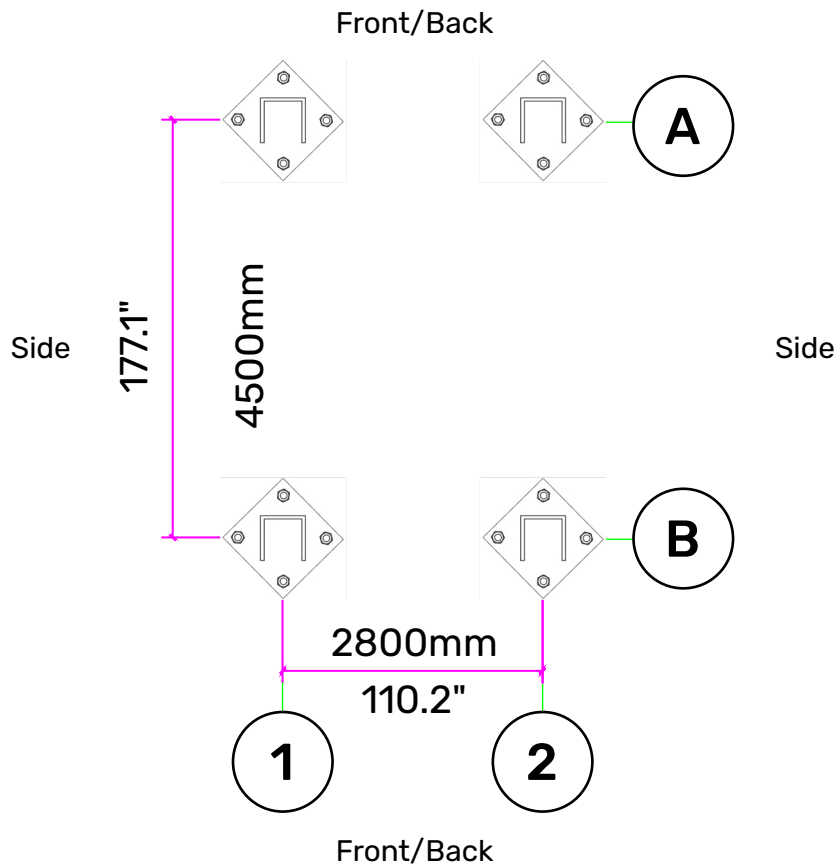
4x3-5°

View :

Rate

Page /

MAXIMO 185 ONE CAR CARPORT FOUNDATION LAYOUT

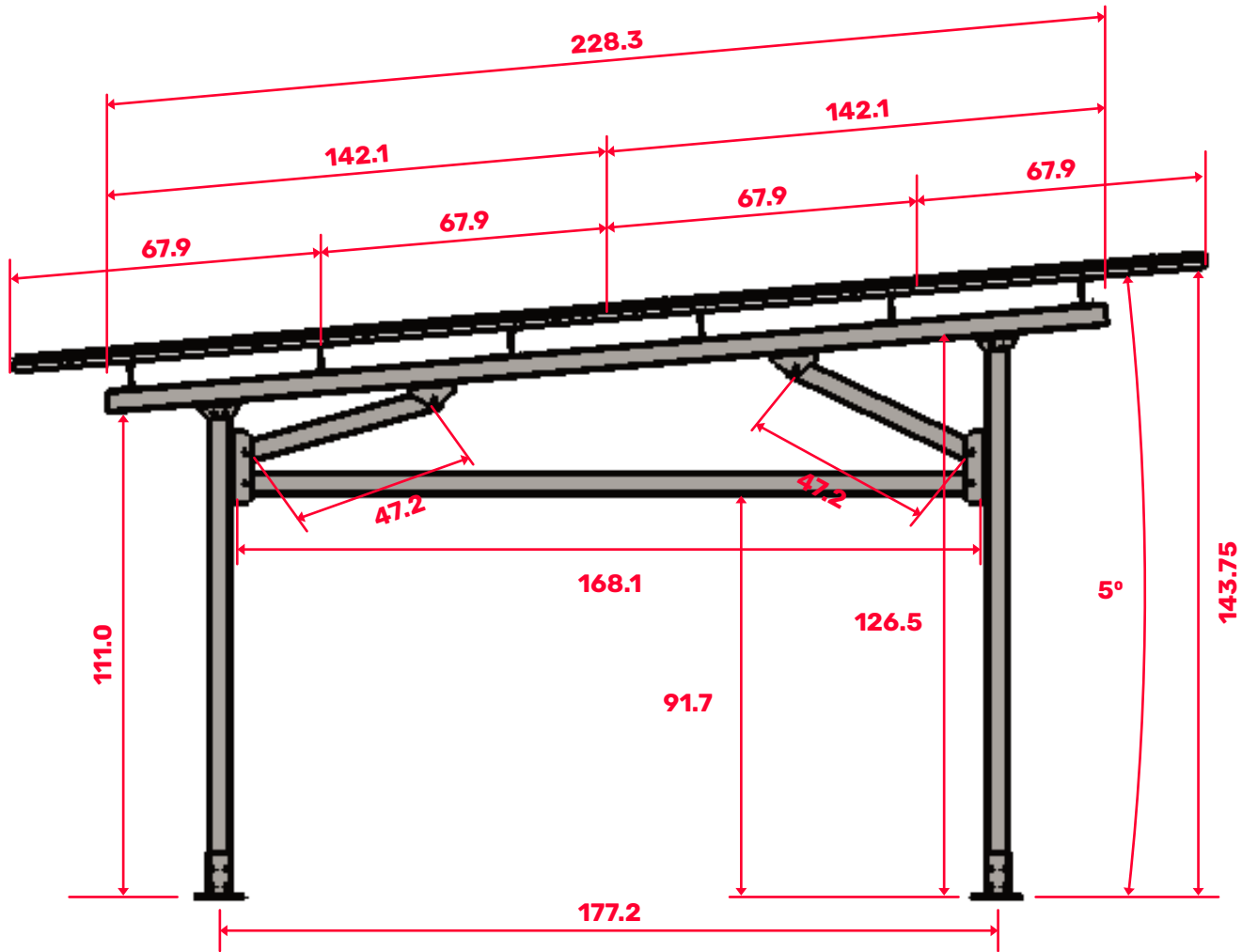


Note: Base Plates shown can rotate 180° based on aesthetic preference.
The C opening can either face down (image shown) or up. The C-opening cannot face to either side

	Modify by	Doc No.	Data	Des	J. Burton	241105	CHIKOUSA	
				Drw			Maximo185 1-Car	
				Check			Foundation	
				Craft			View :	Rate
				App				Page /

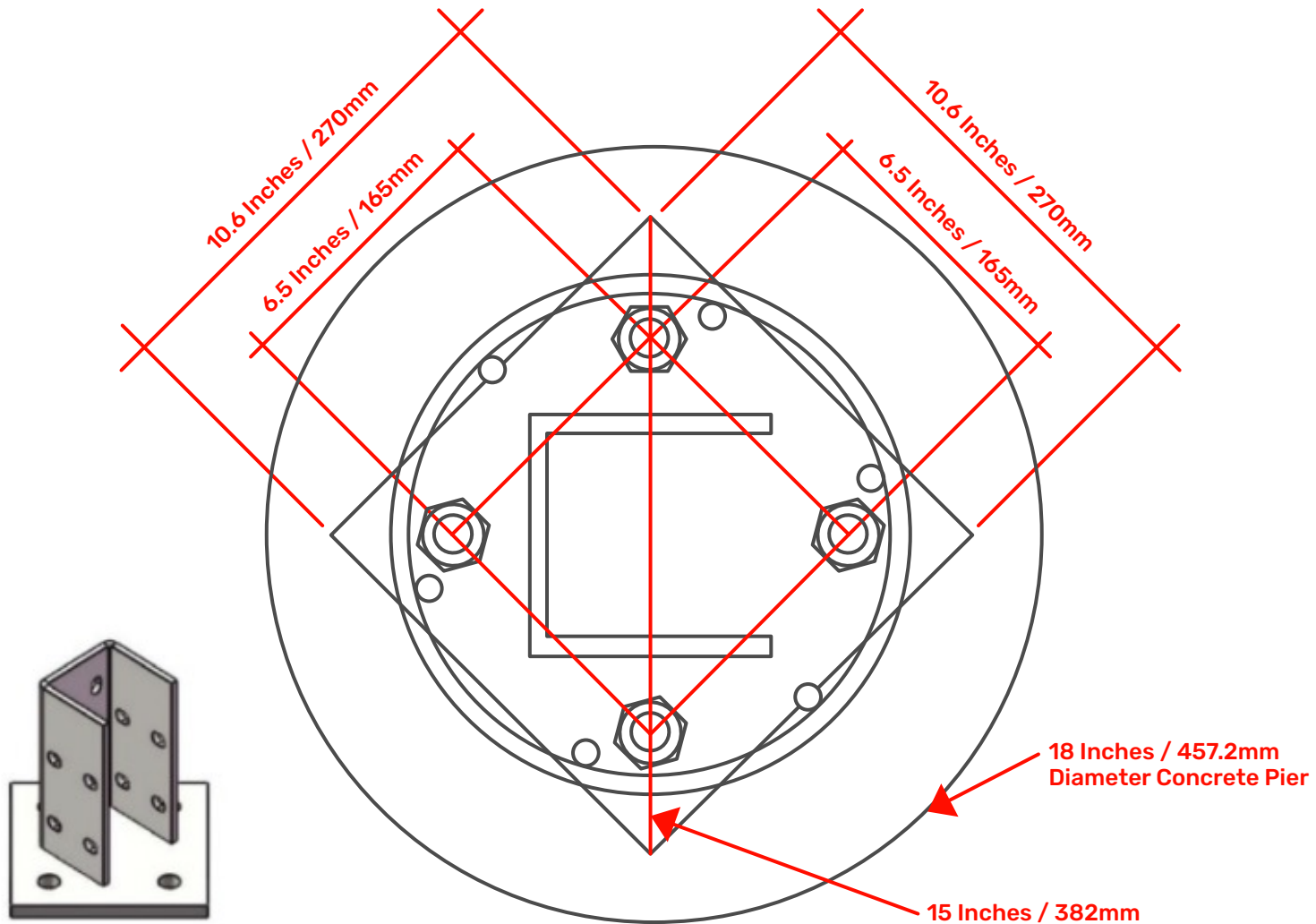
CHIKOUSA MAXIMO-185 CARPORT

INCHES



1	Mark	Modifivation	Modify by	Doc No.	Data	Des	J. Burton	231130	CHIKOUSA		
						Drw					
						Check					
						Craft					
						App			View :	Rate	Page /

CHIKOUSA CARPORT BASE PLATE (VERSION 2.0)



Bolt Holes in Bottom of Base Plate: 1.2" Diameter / 30mm (M30)
Required Bolt Thickness: 1" or 27mm (M27)
Required Bolt Length: 24" (21" to be In Footer)

CHIKOUSA FOUNDATION ILLUSTRATIONS FOR PIER FOOTINGS

Concrete (if required):

- All concrete work shall conform to ACI standards and specifications
- 4,000 psi Compressive Strength min. (f_c) at 28 days
- Type II Cement
- Maximum slump of 5'
- Concrete shall be air entrained in accordance with IBC Section 1904.2 and ACI 318
- Special Inspection is not required unless required by the Building Department/Official
- Aggregates shall be per ASTM C33 (Max. size 1-1/2")
- The mix design is to be adjusted for local soil and exposure conditions and shall be approved by the Engineer of Record

Reinforcing Steel (if required)

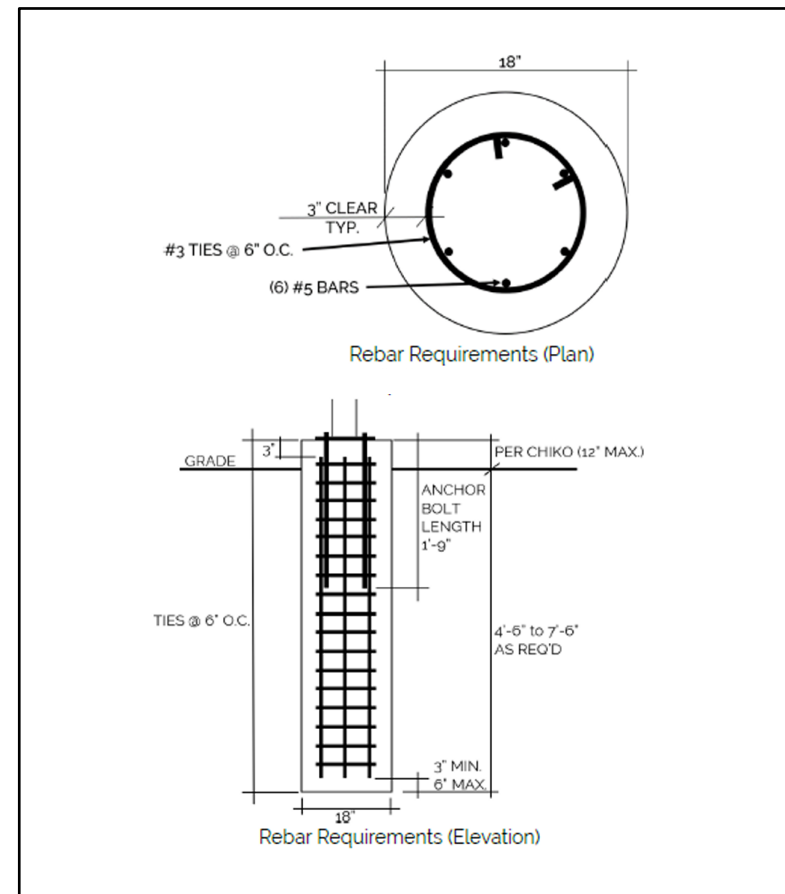
- Shall be per ASTM A615 Grade 60 (deformed)
- Min F_y = 60 ksi for #4 bars and up; F_y = 40 ksi for #3 bars
- Shall be free of rust and dirt
- Rebar splices shall have a lap no less than 48 bar diameters unless noted otherwise
- All clear cover distances shall be 3" unless noted otherwise.

Engineering has concluded that using (4)qty 1" diameter anchor bolts with a 21" effective embedment is acceptable.

All bolts shall be installed within the pier/pedestal circular rebar cage.

Cylindrical Concrete Pier Footing Details

18" Diameter Cylindrical Concrete Pier footing
Rebar is required to be (6) #5 Longitudinal Bars with #3 Ties @ 6" O.C. for the entire pier depth.



Note: For exact concrete depth, see charts in engineering report.

WHERE TO GET FOUNDATION BOLTS?

<https://www.anchorboltexpress.com/1x24-w-6-thread-f1554-grade-55-galvanized-straight-anchor-bolt/>

1" X 24" W/6" THREAD F1554 GRADE 55 GALVANIZED STRAIGHT ANCHOR BOLT



(1 Review)
Write a Review

SKU: AS100024G
WEIGHT: 5.83 LBS
SHIPPING: Calculated at Checkout

BULK DISCOUNT RATES

Below are the available bulk discount rates for each individual item when you purchase a certain amount.

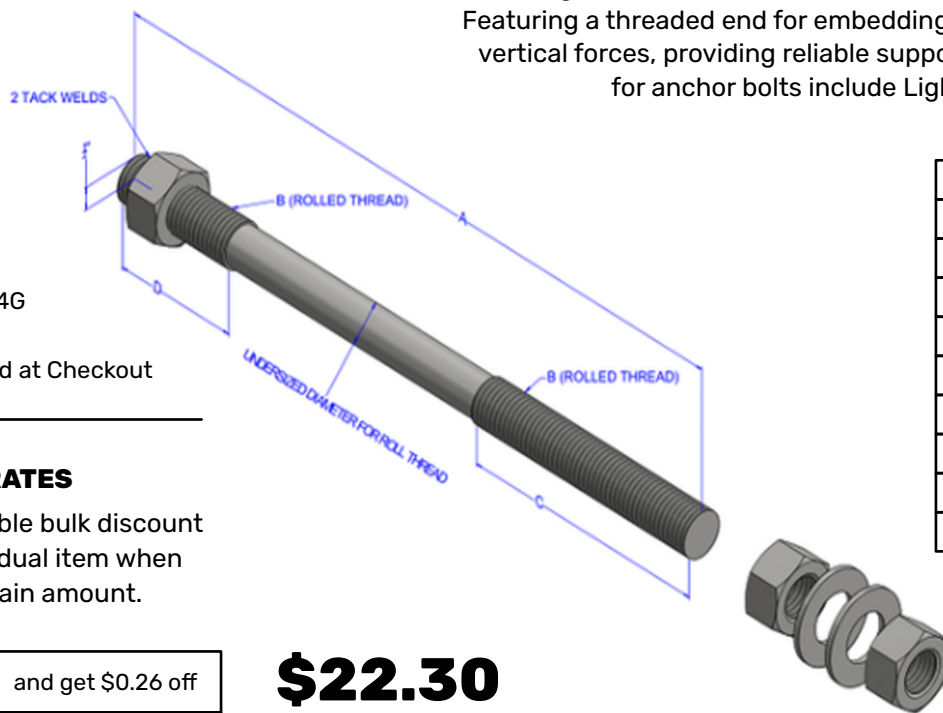
Buy 11 - 25	and get \$0.26 off
Buy 26 - 50	and get \$0.52 off
Buy 51 - 100	and get \$0.78 off
Buy 101 above	and get \$1.44 off

\$22.30

WELDED NUT

Check to add tack welded nut on the bottom threads.

QUANTITY



1"x24" Structural Anchor Bolt, and minimum 6" Thread Length.

Straight anchor bolts, meeting with ASTM standard F1554, are essential for securing structural supports like building columns and street lighting to concrete foundations. Featuring a threaded end for embedding into concrete, they ensure stability against lateral and vertical forces, providing reliable support for various applications. Some common applications for anchor bolts include Light Poles, Steel Building Columns, and Machinery Bases.

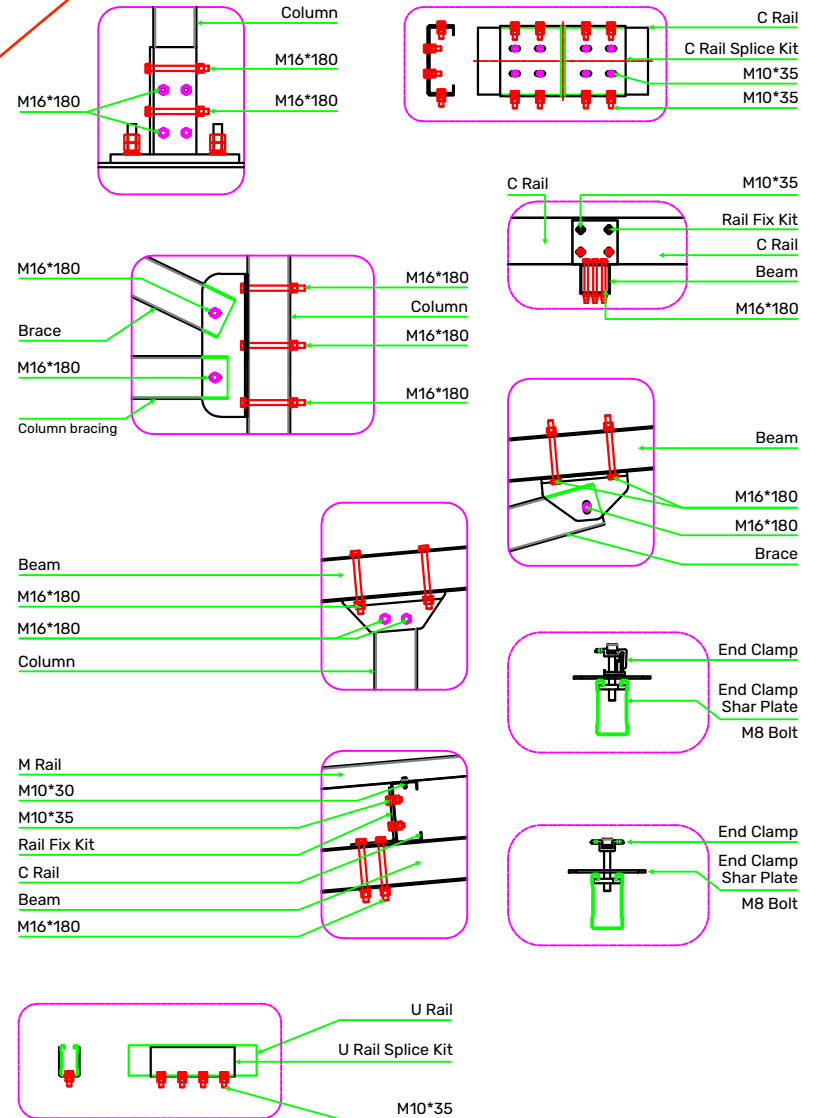
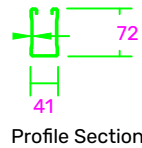
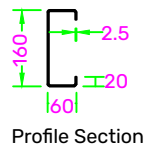
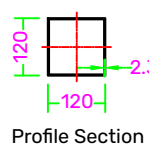
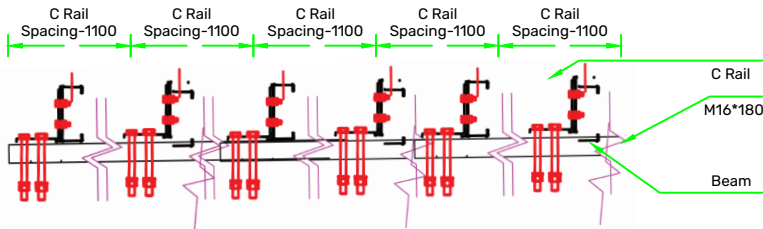
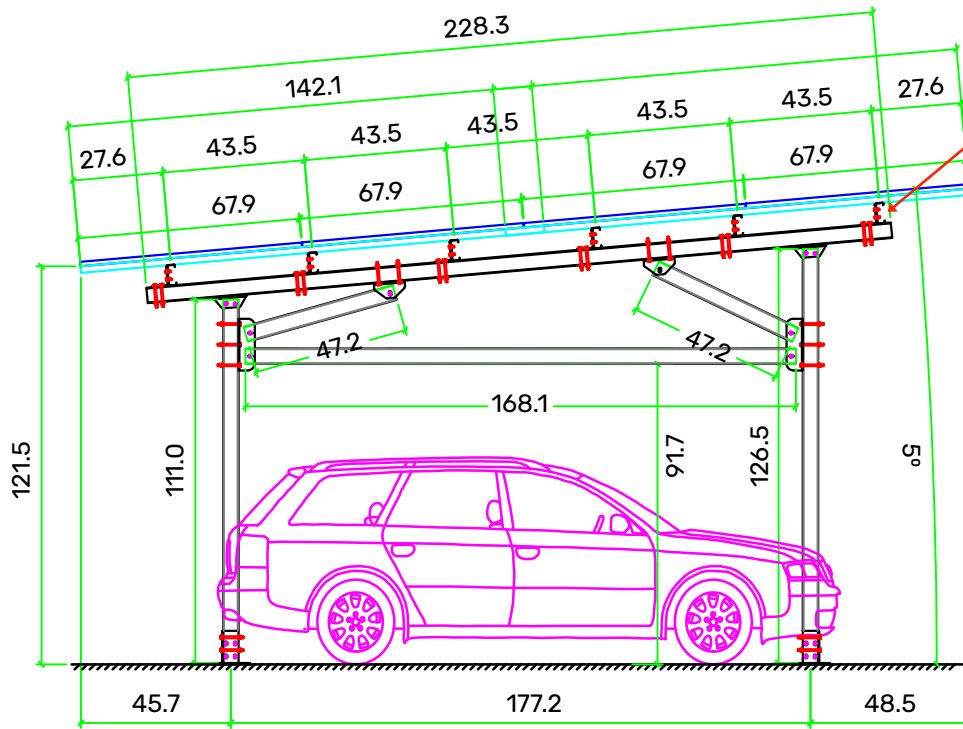
Material	F1554 Grade 55-S1 Galvanized
Diameter (Min.) A	0.9100"
Length B	24"
Thread Size	1" - 8
Thread Length C	6" Min,
Thread Length D	2" Min,
Anchor Type	Straight (I)
Thread	Right Hand, UNC Course Thread Class 1A
Included Hardware	2 Hvy. Nuts, 2 Flatwashers
Country of Origin	Bolts: United States, Hardware: Non-Domestic

*Anchor Bolts are roll threaded per the F1554 Standard, bolt body will be undersized per the standard (Min, of 9100")

DIAMETER (A)	1"
OVERALL LENGTH (B)	24"
TOP THREAD LENGTH (C)	6" Minimum
BOTTOM THREAD LENGTH (D)	2" Minimum
MATERIAL	F1554 Grade 55-S1
FINISH	Hot Dip Galvanized
THREADS	1" - 8 UNC
COUNTRY OF ORIGIN	Bolts: United States, Hardware: Non-Domestic

SIDE PROFILE AND PARTS DIAGRAMS

(Please note: the open side of the C-Channel faces the high side of the Carport)



Design Factors :
 Module Dimensions : 67.9 x 44.6
 Tilt Angle : 5°
 Front Clearance : 111
 Wind Speed : --
 Snow Load : --

Modify by	Doc No.	Data	Des	J. Burton	241105
			Drw		
			Check		
			Craft		
			App		

CHIKOUSA

Maximo 185 1-Car

View :

Rate

Page /