

**Attn:** Corey Geiger, COO, IronRidge Inc.

**Date:** November 19<sup>th</sup>, 2018

**Re:** Structural Certification for IronRidge *Flat Roof Attachment (FRA)*

This letter addresses the structural capacity of the IronRidge *Flat Roof Attachment (FRA)* for use as a roof attachment for flush or tilt mounted PV solar systems. *FRA* is a deck mounted component directly fastened to and supported by the underlying structural roof deck. *FRA* consists of a circular die-casted aluminum base, an optional membrane flashing, and a centered 3/8" stainless steel connection bolt used to secure compatible rail mounting brackets including the IronRidge Tilt Kit (North and South) and L-Foot. Assembly of *FRA*, chosen rail mounting brackets, and accompanying hardware shall be installed in accordance with IronRidge's Flat Roof Attachment installation manual. Full assembly details are shown in Exhibit-0017.

The stated capacities in this letter apply to the assembly of *FRA* and a particular rail mounting bracket with no consideration of the connection of the assembly to the underlying roof deck or the assembly connection to the above supported rail system. The capacities are based on mechanical load testing using a Universal Instron Test Unit or by using structural design code based analysis. The testing and analytical work conform to the following building codes and design standards:

Mechanical load testing standards:

ASTM B 557-10, Standard Test Method for Tension Testing Wrought and Cast Aluminum and Magnesium-Alloy Products

ASTM A370-13, Standard Test Methods and Definitions for Mechanical Testing of Steel Products

ASTM D1761-12, Standard Test Methods for Mechanical Fasteners in Wood

ICC-428, Acceptance Criteria for Modular framing Systems Used to Support Photovoltaic (PV) Modules

Analytical method standards:

ADM-2015, Aluminum Design Manual

AISC Design Guide 27-2013: Structural Stainless Steel

AISC 360-10, Specification for Structural Steel Buildings

For each load direction reported for the particular *FRA* assembly shown in Figures 1 through 3, the tabulated nominal capacities based on mechanical load testing were the average of peak loads observed in the specified load direction. The witnessed ultimate failure mode was also documented accordingly. The calculated nominal resistances per analysis are defined by the referenced structural code for the most critical failure mode described in the tables below. The safety factor provided is associated with the reported failure mode and used to derive the allowable capacity for the specified load direction.

The recorded test observations along with the analytical results are presented in Tables 1 through 3 for *FRA* South Tilt Kit Assembly, *FRA* North Tilt Kit Assembly, and *FRA* L-Foot Assembly, respectively.

Table 1 IronRidge FRA South Tilt Kit Assembly Allowable Capacities <sup>(1)</sup>							
Load Direction	Specimen Quantity <sup>(2)</sup>	Nominal Resistance per Load Tests (lbs) <sup>(3)</sup>	Deviation of Test Results <sup>(4)</sup>	Nominal Resistance per Analysis (lbs) <sup>(5)</sup>	Critical Failure Mode <sup>(6)</sup>	Safety Factor <sup>(7)</sup>	Allowable Capacity (lbs)
Uplift Load Perpendicular to Roof Surface	5	4722	4%	-	Top angle rupture at the interface where it is bolted to the bottom angle.	1.95	2421
Compression Load Perpendicular to Roof Surface	5	3489	16%	-	Bottom angle rupture along the edge of bolt hole at its base.	1.95	1789
Lateral Load Parallel to Roof Surface Downslope	5	1014	8%	-	Yielding occur to the base of the bottom angle.	1.65	615
Lateral Load Parallel to Roof Surface Across Slope	-	-	-	381	Bottom angle rupture along the edge of bolt hole at its base.	1.95	195

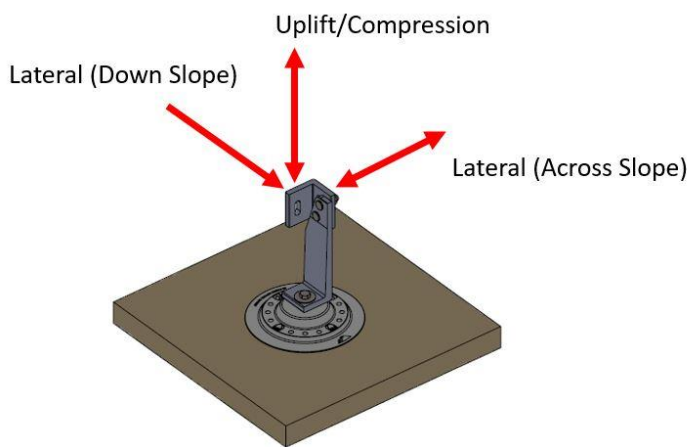
Table 2 IronRidge FRA North Tilt Kit Assembly Allowable Capacities <sup>(1)</sup>							
Load Direction	Specimen Quantity <sup>(2)</sup>	Nominal Resistance per Load Tests (lbs) <sup>(3)</sup>	Deviation of Test Results <sup>(4)</sup>	Nominal Resistance per Analysis (lbs) <sup>(5)</sup>	Critical Failure Mode <sup>(6)</sup>	Safety Factor <sup>(7)</sup>	Allowable Capacity (lbs)
Uplift Load Perpendicular to Roof Surface	5	7160	3%	-	U foot rupture at the bottom along its center line.	1.95	3672
Compression Load Perpendicular to Roof Surface	-	-	-	9120	Bearing failure of the bolt holes on U-Foot vertical legs.	2.0	4560
Lateral Load Parallel to Roof Surface Downslope	5	3007	6%	-	U foot rupture at the bottom along its center line.	1.95	1542

Note to Table 2: The entirety of cross-slope lateral load is taken by South Tilt Kit due to its high lateral stiffness compared to the North Tilt Kit. Please refer to Table 1 for South Kit cross-slope capacity.

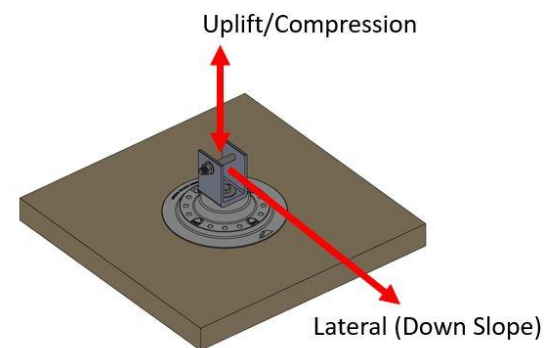
Table 3 IronRidge FRA L-Foot Assembly Allowable Capacities <sup>(1)</sup>							
Load Direction	Specimen Quantity <sup>(2)</sup>	Nominal Resistance per Load Tests (lbs) <sup>(3)</sup>	Deviation of Test Results <sup>(4)</sup>	Nominal Resistance per Analysis (lbs) <sup>(5)</sup>	Critical Failure Mode <sup>(6)</sup>	Safety Factor <sup>(7)</sup>	Allowable Capacity (lbs)
Uplift Load Perpendicular to Roof Surface	5	5290	12%	-	Head of the 3/8" bolt, which connect L foot to FRA base, rupture.	2.0	2645
Compression Load Perpendicular to Roof Surface	-	-	-	8407	Vertical leg of L foot rupture at the bottom of the vertical slot.	1.95	4311
Lateral Load Parallel to Roof Surface Downslope	-	-	-	652	Yielding occur to the root of the L foot.	1.65	395
Lateral Load Parallel to Roof Surface Across Slope	5	1579	10%	-	L-Foot rupture at bottom of vertical slot on loaded half of vertical leg.	1.95	810

Notes:

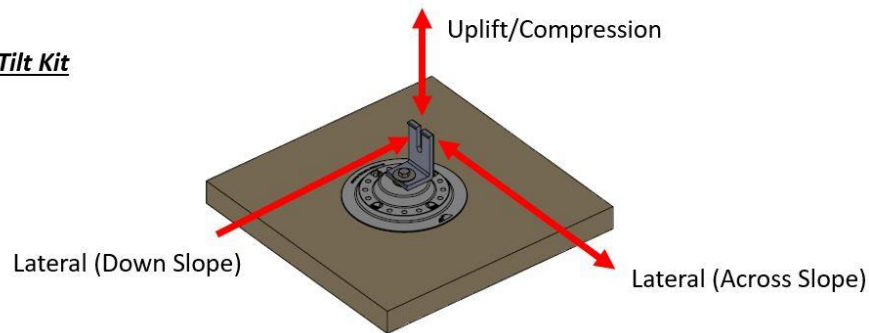
- (1) The allowable capacities presented are associated with the loading conditions for the respective assembly depicted in Figures 1 through 3.
- (2) The quantity recorded represents the number of completed Instron tests and does not apply to the analytical method.
- (3) The nominal resistance is the average of the recorded peak loads for the respective load direction and does not apply to the analytical method.
- (4) Deviation of the test results reflects the highest or the lowest test value from the group mean for the particular load direction and does not apply to the analytical method.
- (5) Nominal resistance is the lowest nominal capacity among the different failure modes. The capacity is calculated following the equations prescribed by the specific structural code as shown on Page 1.
- (6) For the mechanical load testing, the documented critical failure mode is the observed result of the test specimen. For analytical method, the critical failure mode is associated with the condition which produces the least capacity of the assembly.
- (7) Safety Factor is associated with the respective failure modes determined by the specific code as shown on Page 1.



**Figure 1: South Tilt Kit**



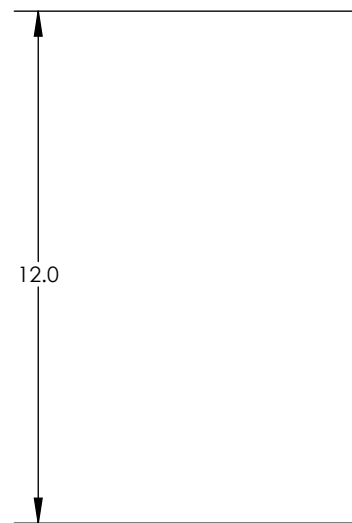
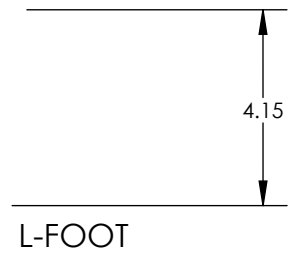
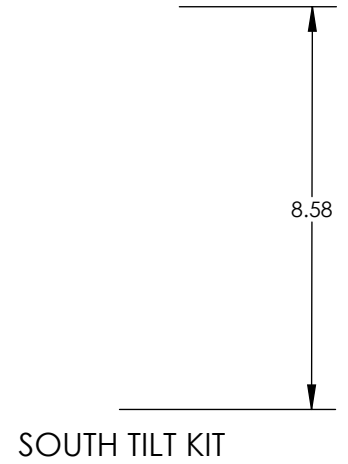
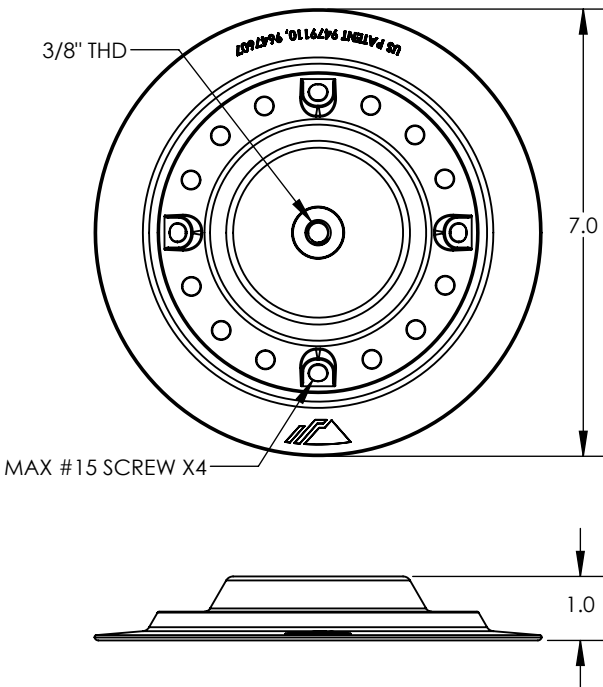
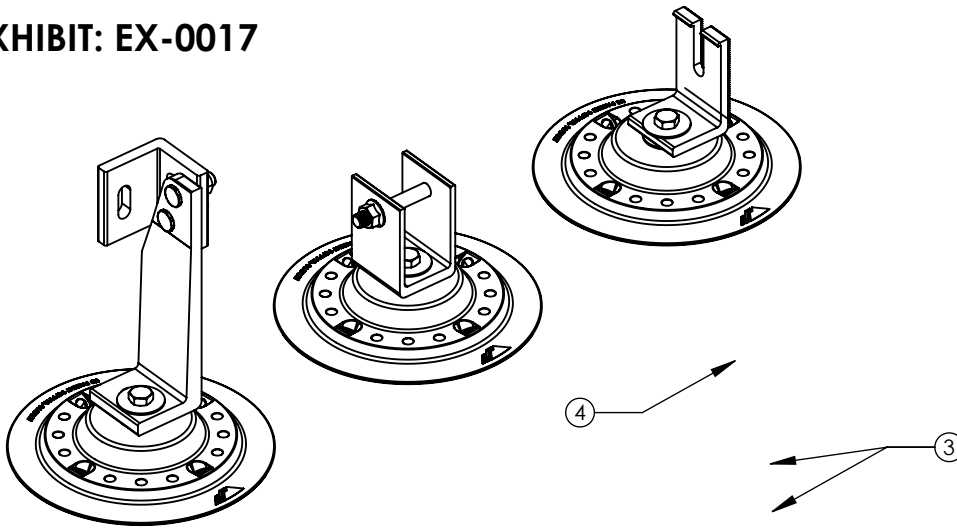
**Figure 2: North Tilt Kit**



**Figure 3: L-Foot**

Sincerely,

Gang Xuan, SE  
 Senior Structural Engineer



ITEM NO.	DESCRIPTION
1	FLAT ROOF ATTACH, BASE
2	FLAT ROOF ATTACH, MEMBRANE
3	WASHER, FLAT 3/8" X 1.25" OD SS
4	BOLT, 3/8-16 X 1.125" HEX, SS



ASSY, Flat Roof Attachment  
DWG. NO. EX-0017



8431 Murphy Drive  
Middleton, WI 53562 USA

Telephone: 608.836.4400  
Facsimile: 608.831.9279  
www.intertek.com

# Test Verification of Conformity

In the basis of the tests undertaken, the sample(s) of the below product have been found to comply with the requirements of the referenced specifications at the time the tests were carried out.

<b>Applicant Name &amp; Address:</b>	IronRidge, Inc. 1495 Zephyr Ave. Hayward, CA 94544 USA
<b>Product Description:</b>	Tilt Mount System with XR Rails.
<b>Ratings &amp; Principle Characteristics:</b>	<u>Fire Class Resistance Rating:</u> -Tilt Mount (Asymmetrical). Class A Fire Rated for Low Slope applications when using Type 1, 2 and 3, listed photovoltaic modules. Class A Fire Rated for Steep Slope applications with Type 1 and 2, listed photovoltaic modules. "Angle of tilt allowed by the system is any greater than or equal to 1° and specified in the installation instructions. This system was evaluated with a 5" gap between the bottom of the module and the roof's surface. Per Section 31.2.2.1 of UL 1703 this product can be installed with any gap stated in the manufacturers installation instructions. No perimeter guard is required. Installed with components per IronRidge installation manual and as reviewed by Intertek Engineering Evaluation 102241487MID-001.1. This rating is applicable with any IronRidge or 3rd party roof anchors.
<b>Models:</b>	IronRidge Tilt Mount with XR Rails
<b>Brand Name:</b>	IronRidge Tilt Mount
<b>Relevant Standards:</b>	UL 2703 (Section 15.2 and 15.3) Standard for Safety Mounting Systems, Mounting Devices, Clamping/Retention Devices, and Ground Lugs for Use with Flat-Plate Photovoltaic Modules and Panels, First Edition dated Jan. 28, 2015 <b>Referencing</b> UL1703 Third Edition dated May 2015, (Section 31.2) Standard for Safety for Flat-Plate Photovoltaic Modules and Panels.
<b>Verification Issuing Office:</b>	Intertek Testing Services NA, Inc. 8431 Murphy Drive Middleton, WI 53562
<b>Date of Tests:</b>	Tests: 08/27/2014 to 03/17/2015; Evaluations: 08/19/2015
<b>Test Report Number(s):</b>	101769343MID-001r1, 101769343MID-001a, 101915978MID-001, 101999492MID-001ar1-cr1 & 102241487MID-001.1 (Evaluation for South Tilt Leg Assembly)

This verification is part of the full test report(s) and should be read in conjunction with them. This report does not automatically imply product certification.

**Completed by:** Chris Zimbrich  
**Title:** Technician II, Fire Resistance

**Reviewed by:** Chad Naggs  
**Title:** Technician I, Fire Resistance

**Signature:** 

**Signature:** 

**Date:** 05/25/2016

**Date:** 05/25/2016

This Verification is for the exclusive use of Intertek's client and is provided pursuant to the agreement between Intertek and its Client. Intertek's responsibility and liability are limited to the terms and conditions of the agreement. Intertek assumes no liability to any party, other than to the Client in accordance with the agreement, for any loss, expense or damage occasioned by the use of this Verification. Only the Client is authorized to permit copying or distribution of this Verification. Any use of the Intertek name or one of its marks for the sale or advertisement of the tested material, product or service must first be approved in writing by Intertek. The observations and test/inspection results referenced in this Verification are relevant only to the sample tested/inspected. This Verification by itself does not imply that the material, product, or service is or has ever been under an Intertek certification program.